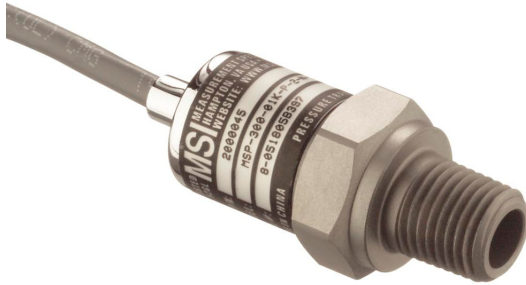


MSP 300 Pressure Transducer



- OEM and End User
- One Piece Pressure Port Construction
- No O-Rings
- No Silicon Oil
- No Welds

DESCRIPTION

The MSP 300 series pressure transducers from the Microfused™ line of MEAS, set a new price performance standard for low cost, high volume, commercial and industrial applications. This series is suitable for measurement of liquid or gas pressure, even for difficult media such as contaminated water, steam, and mildly corrosive fluids.

The transducer pressure cavity is machined from a solid piece of 17-4 PH stainless steel. The standard version includes a 1/4 NPT pipe thread allowing a leak-proof, all metal sealed system. There are no O-rings, welds or organics exposed to the pressure media. The durability is excellent.

MEAS' proprietary Microfused™ technology, derived from demanding aerospace applications, employs micromachined silicon piezoresistive strain gages fused with high temperature glass to a stainless steel diaphragm. This approach achieves media compatibility simply and elegantly while providing an exceptionally stable sensor without the PN junctions of conventional micromachined sensors.

This product is geared to the OEM customer who uses medium to high volumes. The standard version is suitable for many applications, but the dedicated design team at our Transducer Engineering Center stands ready to provide a semi-custom design where the volume and application warrants.

FEATURES

- One Piece Stainless Steel Construction
- Ranges up to 10k psi or 700 Bar
- mV or Amplified Outputs
- Excellent Accuracy
- Wide Operating Temperature Range

APPLICATIONS

- Pumps and Compressors
- Hydraulic/Pneumatic Systems
- Automotive Test Systems
- Energy and Water Management
- Agriculture – Sprayers and Dusters
- Refrigeration – Freon and Ammonia Based
- General Pressure Measurements

STANDARD RANGES

Range	psig	Range	Barg
0 to 100	•	0 to 7	•
0 to 250	•	0 to 17	•
0 to 500	•	0 to 35	•
0 to 1000	•	0 to 70	•
0 to 2500	•	0 to 175	•
0 to 5000	•	0 to 350	•
0 to 10k	•	0 to 700	•

MSP 300 Pressure Transducer

PERFORMANCE SPECIFICATIONS

Supply Voltage: 5.0V, Ambient Temperature: 25°C (unless otherwise specified)

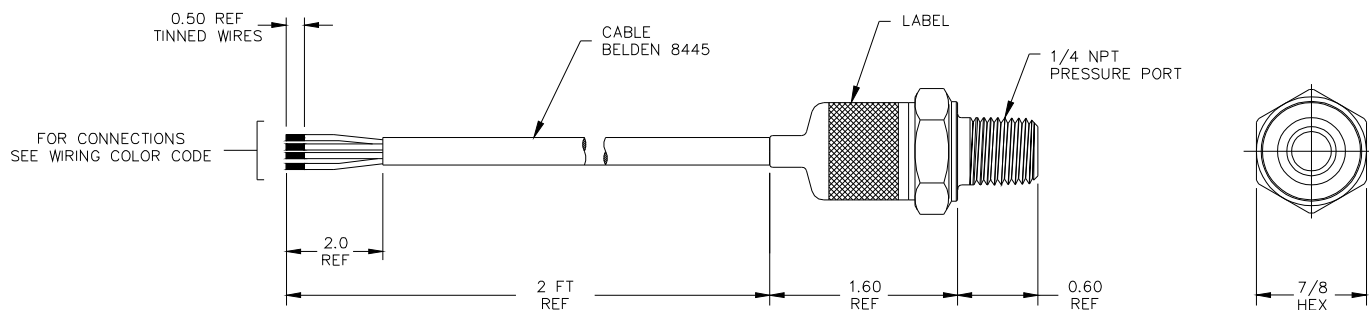
PARAMETERS	MIN	TYP	MAX	UNITS	NOTES
Span Setting	-2		2	%Span	1
Zero Pressure Output (0 – 100mV)	-3		3	%Span	1
Zero Pressure Output (Amplified)	-2		2	%Span	1
Accuracy (combined non linearity, hysteresis, and repeatability)	-1		1	%Span	2
Temperature Error – Zero	-2		2	%Span	
Temperature Error – Span	-2		2	%Span	
Supply Current (0 – 100mV, 0.5 – 4.5V)			10	mA	
Supply Current (1 – 5V)			15	mA	
Long Term Stability (1 year)	-0.25		0.25	%Span	3
Pressure Overload	2X			Rated	
Pressure Cycles (Zero to Full Scale)	10			Million	
Output Load			1	MΩ	
Compensated Temperature	0		55	°C	
Operating Temperature	-20		+85	°C	4
Storage Temperature	-40		+125	°C	4
Burst Pressure	5X			Rated	
Vibration	±20			g	5
Shock (11ms)	50			g	6
Output Noise			2	mVRMS	
Bandwidth (-3dB)	1			kHz	
Weight		82.55		grams	
Media Compatibility	All Materials Compatible with 17-4 Stainless Steel				

For custom configurations, consult factory.

Notes

1. Ratiometric to supply.
2. Best fit straight line.
3. Long term stability over a one year period.
4. Maximum temperature range for product with standard cable is -20°C to +105°C.
5. Per MIL-STD-810C, Procedure 514.2, Figure 514.2-2, Curve L.
6. 1/2 sine per MIL-STD 202F Method 213B condition A.

DIMENSIONS



MSP 300 Pressure Transducer

OUTPUT OPTIONS

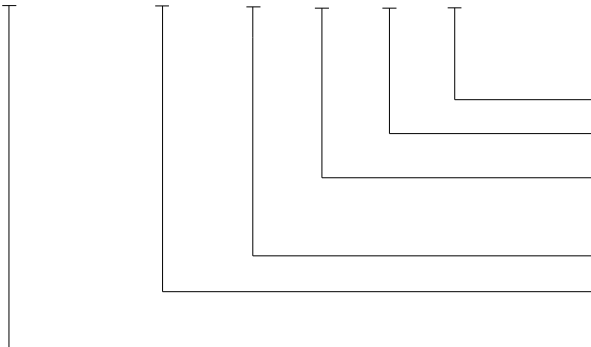
Code	Output	MIN	Supply (V)	
			TYP	MAX
2	0 – 100 mV (ratiometric)	2.5	5	12
3	0.5 – 4.5 V (ratiometric)	4.75	5	5.25
4	1 – 5 V	8		30
5	4 – 20 mA	9		30

Wiring Color Code

Code	Output	+Supply	-Supply	+Out	-Out
2	0 – 100 mV (ratiometric)	Red	Black	Green	White
3	0.5 – 4.5 V (ratiometric)	Red	Black	White	N/A
4	1 – 5 V	Red	Black	White	N/A
5	4 – 20 mA	Red	Black	N/A	N/A

ORDERING INFORMATION

MSP300 - 100 - P - 2 - N - 1



Connection (1 = 2ft Cable)
 Pressure Port (N = 1/4NPT)
 Outputs (2 = 0 - 100mVdc, 3 = .5 - 4.5Vdc
 4 = 1 - 5Vdc fixed, 5 = 4 - 20mA two wire)
 Units (P = psi, B = Bar)
 Pressure Range (100 - P = 100psi, 2K5 - P = 2500psi,
 05K - P = 5000psi)
 Model

NORTH AMERICA

Measurement Specialties
 45738 Northport Loop West
 Fremont, CA 94538
 Tel: 1-800-767-1888
 Fax: 1-510-498-1578
 Sales: pfg.cs.amer@meas-spec.com

EUROPE

Measurement Specialties
 (Europe), Ltd.
 26 Rue des Dames
 78340 Les Clayes-sous-Bois, France
 Tel: +33 (0) 130 79 33 00
 Fax: +33 (0) 134 81 03 59
 Sales: pfg.cs.emea@meas-spec.com

ASIA

Measurement Specialties
 (China), Ltd.
 F1.6-4D, Tian An Development
 Compound
 Shenzhen, China 518048
 Tel: +86 755 8330 1004
 Fax: +86 755 8330 6797
 Sales: pfg.cs.asia@meas-spec.com

The information in this sheet has been carefully reviewed and is believed to be accurate; however, no responsibility is assumed for inaccuracies. Furthermore, this information does not convey to the purchaser of such devices any license under the patent rights to the manufacturer. Measurement Specialties, Inc. reserves the right to make changes without further notice to any product herein. Measurement Specialties, Inc. makes no warranty, representation or guarantee regarding the suitability of its product for any particular purpose, nor does Measurement Specialties, Inc. assume any liability arising out of the application or use of any product or circuit and specifically disclaims any and all liability, including without limitation consequential or incidental damages. Typical parameters can and do vary in different applications. All operating parameters must be validated for each customer application by customer's technical experts. Measurement Specialties, Inc. does not convey any license under its patent rights nor the rights of others.