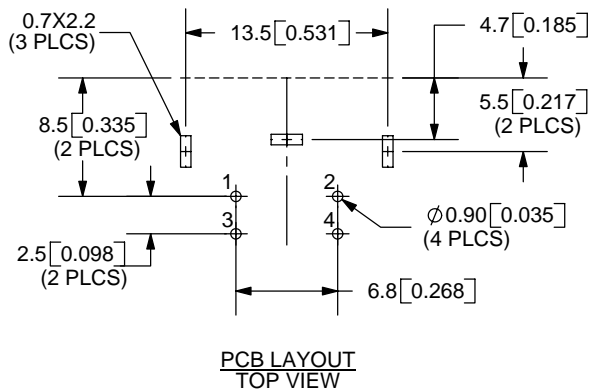
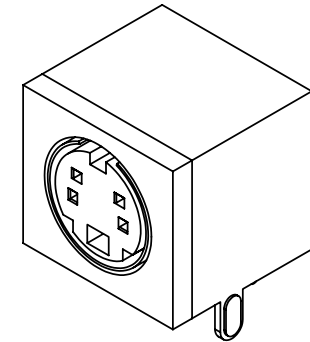
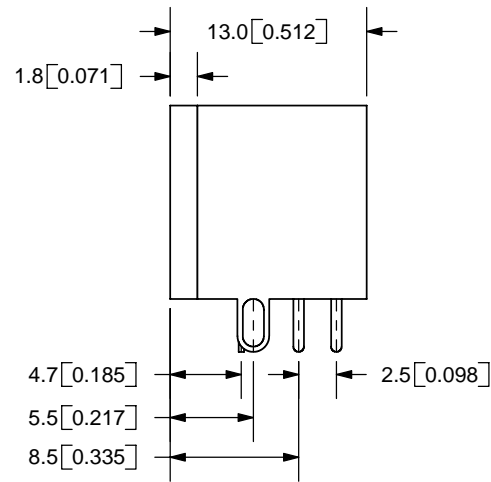
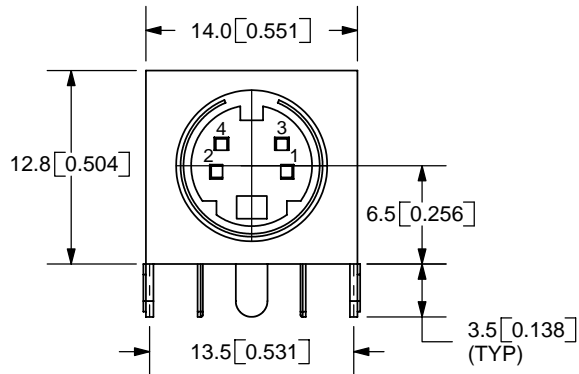


REV.	DESCRIPTION	DATE
A	NEW DRAWING	10/20/2005
B	Added dimensions	3/3/2006



SPECIFICATIONS:
 RATING: 12V DC @ 2A; 100V AC @ 1A
 INSULATION RESISTANCE: 10M OHMS MIN: 250V DC
 VOLTAGE WITHSTAND: 250V AC R.M.S. FOR 1 MINUTE
 CONTACT RESISTANCE: 30m OHMS MAX
 INSERTION FORCE: 5KG MAX
 WITHDRAWAL FORCE: 0.8KG~3.5KG
 LIFE: 5,000 CYCLES

TOLERANCE:
 $\pm 0.2\text{mm}$ UNLESS OTHERWISE
 SPECIFIED



20050 SW 112th Ave.
 Tualatin, OR 97062
 Phone: 503-643-4899
 800-275-4899
 Fax: 503-372-1266
 Website: www.cui.com

	MATERIAL	PLATING	TITLE: MINIATURE CIRCULAR DIN CONNECTOR	REV: B
SHIELDING PLATE	Steel	Tin	PART NO. MD-40SM	UNITS: MM [INCHES]
CONTACT TERMINALS (1-4)	Phosphor Bronze	Silver		
EARTH TERMINALS	Brass	Tin	DRAWN BY: ZRJ	APPROVED BY:
HOUSING	PBT			

PC FILE NAME:
 MD-40SM

COPYRIGHT 2006 BY CUI INC.