

# LM6121/LM6221/LM6321

## High Speed Buffer

### General Description

These high speed unity gain buffers slew at 800 V/ $\mu$ s and have a small signal bandwidth of 50 MHz while driving a 50 $\Omega$  load. They can drive  $\pm$ 300 mA peak and do not oscillate while driving large capacitive loads. The LM6121 family are monolithic ICs which offer performance similar to the LH0002 with the additional features of current limit and thermal shutdown.

These buffers are built with National's VIP™ (Vertically Integrated PNP) process which provides fast PNP transistors that are true complements to the already fast NPN devices. This advanced junction-isolated process delivers high speed performance without the need for complex and expensive dielectric isolation.

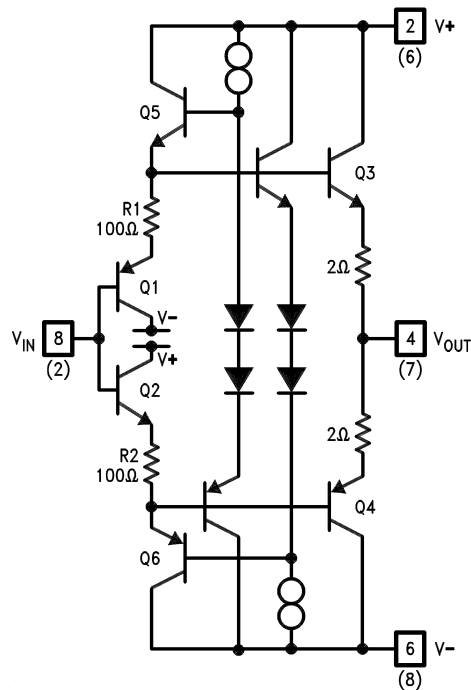
### Features

- High slew rate: 800 V/ $\mu$ s
- Wide bandwidth: 50 MHz
- Slew rate and bandwidth 100% tested
- Peak output current:  $\pm$ 300 mA
- High input impedance: 5 M $\Omega$
- LH0002H pin compatible
- No oscillations with capacitive loads
- 5V to  $\pm$ 15V operation guaranteed
- Current and thermal limiting
- Fully specified to drive 50 $\Omega$  lines

### Applications

- Line Driving
- Radar
- Sonar

### Simplified Schematic

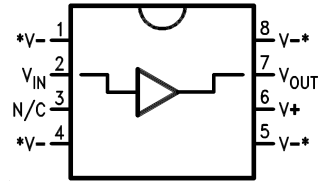


Numbers in ( ) are for 8-pin N DIP.

00922301

## Connection Diagrams

Plastic DIP

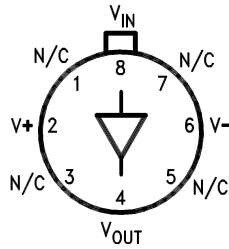


00922302

\*Heat-sinking pins. See Application section on heat sinking requirements.

**Order Number LM6221N,  
LM6321N or LM6121J/883  
See NS Package  
Number J08A or N08E**

Metal Can

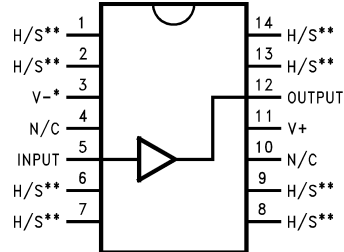


00922303

**Note:** Pin 6 connected to case.

**Top View  
Order Number LM6221H or  
LM6121H/883  
See NS Package  
Number H08C**

Plastic SOIC



00922307

\*Pin 3 must be connected to the negative supply.

\*\*Heat-sinking pins. See Application section on heat-sinking requirements.

These pins are at  $V^-$  potential.

**Order Number LM6321M  
See NS Package Number M14A**

**Absolute Maximum Ratings** (Note 1)

If Military/Aerospace specified devices are required, please contact the National Semiconductor Sales Office/Distributors for availability and specifications.

Supply Voltage	36V ( $\pm 18$ )
Input to Output Voltage (Note 2)	$\pm 7V$
Input Voltage	$\pm V_{supply}$
Output Short-Circuit to GND (Note 3)	Continuous
Storage Temperature Range	$-65^{\circ}C$ to $+150^{\circ}C$
Lead Temperature (Soldering, 10 seconds)	$260^{\circ}C$
Power Dissipation (Note 10)	
ESD Tolerance (Note 8)	$\pm 2000V$
Junction Temperature ( $T_{J(MAX)}$ )	$+150^{\circ}C$

**Operating Ratings**

Operating Temperature Range	
LM6121H/883	$-55^{\circ}C$ to $+125^{\circ}C$
LM6221	$-40^{\circ}C$ to $+85^{\circ}C$
LM6321	$0^{\circ}C$ to $+70^{\circ}C$
Operating Supply Range	$4.75$ to $\pm 16V$
Thermal Resistance ( $\theta_{JA}$ ), (Note 4)	
H Package	$150^{\circ}C/W$
N Package	$47^{\circ}C/W$
M Package	$69^{\circ}C/W$
Thermal Resistance ( $\theta_{JC}$ ), H Package	$17^{\circ}C/W$

**DC Electrical Characteristics**

The following specifications apply for Supply Voltage =  $\pm 15V$ ,  $V_{CM} = 0$ ,  $R_L \geq 100 k\Omega$  and  $R_S = 50\Omega$  unless otherwise noted. **Boldface** limits apply for  $T_A = T_J = T_{MIN}$  to  $T_{MAX}$ ; all other limits  $T_A = T_J = 25^{\circ}C$ .

Symbol	Parameter	Conditions	Typ	LM6121	LM6221	LM6321	Units
				Limit (Notes 5, 9)	Limit (Note 5)	Limit (Note 5)	
$A_{V1}$	Voltage Gain 1	$R_L = 1 k\Omega$ , $V_{IN} = \pm 10V$	0.990	0.980 <b>0.970</b>	0.980 <b>0.950</b>	0.970 <b>0.950</b>	V/V Min
$A_{V2}$	Voltage Gain 2	$R_L = 50\Omega$ , $V_{IN} = \pm 10V$	0.900	0.860 <b>0.800</b>	0.860 <b>0.820</b>	0.850 <b>0.820</b>	
$A_{V3}$	Voltage Gain 3 (Note 6)	$R_L = 50\Omega$ , $V^+ = 5V$ $V_{IN} = 2 V_{pp}$ ( <b><math>1.5 V_{pp}</math></b> )	0.840	0.780 <b>0.750</b>	0.780 <b>0.700</b>	0.750 <b>0.700</b>	
$V_{OS}$	Offset Voltage	$R_L = 1 k\Omega$	15	30 <b>50</b>	30 <b>60</b>	50 <b>100</b>	mV Max
$I_B$	Input Bias Current	$R_L = 1 k\Omega$ , $R_S = 10 k\Omega$	1	4 <b>7</b>	4 <b>7</b>	5 <b>7</b>	$\mu A$ Max
$R_{IN}$	Input Resistance	$R_L = 50\Omega$	5				M $\Omega$
$C_{IN}$	Input Capacitance		3.5				pF
$R_O$	Output Resistance	$I_{OUT} = \pm 10 mA$	3	5 <b>10</b>	5 <b>10</b>	5 <b>6</b>	$\Omega$ Max
$I_{S1}$	Supply Current 1	$R_L = \infty$	15	18 <b>20</b>	18 <b>20</b>	20 <b>22</b>	mA Max
$I_{S2}$	Supply Current 2	$R_L = \infty$ , $V^+ = 5V$	14	16 <b>18</b>	16 <b>18</b>	18 <b>20</b>	
$V_{O1}$	Output Swing 1	$R_L = 1k$	13.5	13.3 <b>13</b>	13.3 <b>13</b>	13.2 <b>13</b>	$\pm V$ Min
$V_{O2}$	Output Swing 2	$R_L = 100\Omega$	12.7	11.5 <b>10</b>	11.5 <b>10</b>	11 <b>10</b>	
$V_{O3}$	Output Swing 3	$R_L = 50\Omega$	12	11 <b>9</b>	11 <b>9</b>	10 <b>9</b>	
$V_{O4}$	Output Swing 4	$R_L = 50\Omega$ , $V^+ = 5V$ (Note 6)	1.8	1.6 <b>1.3</b>	1.6 <b>1.4</b>	1.6 <b>1.5</b>	$V_{PP}$ Min
PSSR	Power Supply Rejection Ratio	$V^{\pm} = \pm 5V$ to $\pm 15V$	70	60 <b>55</b>	60 <b>50</b>	60 <b>50</b>	dB Min

## AC Electrical Characteristics

The following specifications apply for Supply Voltage =  $\pm 15V$ ,  $V_{CM} = 0$ ,  $R_L \geq 100\text{ k}\Omega$  and  $R_S = 50\Omega$  unless otherwise noted. **Boldface** limits apply for  $T_A = T_J = T_{MIN}$  to  $T_{MAX}$ ; all other limits  $T_A = T_J = 25^\circ\text{C}$ .

Symbol	Parameter	Conditions	Typ	LM6121	LM6221	LM6321	Units
				Limit (Note 5)	Limit (Note 5)	Limit (Note 5)	
SR <sub>1</sub>	Slew Rate 1	$V_{IN} = \pm 11V$ , $R_L = 1\text{ k}\Omega$	1200	550	550	550	V/ $\mu\text{s}$ Min
SR <sub>2</sub>	Slew Rate 2	$V_{IN} = \pm 11V$ , $R_L = 50\Omega$ (Note 7)	800	550	550	550	
SR <sub>3</sub>	Slew Rate 3	$V_{IN} = 2 V_{PP}$ , $R_L = 50\Omega$ $V^+ = 5V$ (Note 6)	50	550	550	550	
BW	-3 dB Bandwidth	$V_{IN} = \pm 100\text{ mV}_{PP}$ , $R_L = 50\Omega$ $C_L \leq 10\text{ pF}$	50	30	30	30	MHz Min
$t_r$ , $t_f$	Rise Time Fall Time	$R_L = 50\Omega$ , $C_L \leq 10\text{ pF}$ $V_O = 100\text{ mV}_{PP}$	7.0				ns
$t_{pd}$	Propagation Delay Time	$R_L = 50\Omega$ , $C_L \leq 10\text{ pF}$ $V_O = 100\text{ mV}_{PP}$	4.0				ns
O <sub>S</sub>	Overshoot	$R_L = 50\Omega$ , $C_L \leq 10\text{ pF}$ $V_O = 100\text{ mV}_{PP}$	10				%

**Note 1:** Absolute Maximum Ratings indicate limits beyond which damage to the device may occur. DC and AC electrical specifications do not apply when operating the device beyond its rated operating conditions.

**Note 2:** During current limit or thermal limit, the input current will increase if the input to output differential voltage exceeds 8V. For input to output differential voltages in excess of 8V the input current should be limited to  $\pm 20\text{ mA}$ .

**Note 3:** The LM6121 series buffers contain current limit and thermal shutdown to protect against fault conditions.

**Note 4:** The thermal resistance  $\theta_{JA}$  of the device in the N package is measured when soldered directly to a printed circuit board, and the heat-sinking pins (pins 1, 4, 5 and 8) are connected to 2 square inches of 2 oz. copper. When installed in a socket, the thermal resistance  $\theta_{JA}$  of the N package is  $84^\circ\text{C/W}$ . The thermal resistance  $\theta_{JA}$  of the device in the M package is measured when soldered directly to a printed circuit board, and the heat-sinking pins (pins 1, 2, 6, 7, 8, 9, 13, 14) are connected to 1 square inch of 2 oz. copper.

**Note 5:** Limits are guaranteed by testing or correlation.

**Note 6:** The input is biased to 2.5V and  $V_{IN}$  swings  $V_{PP}$  about this value. The input swing is  $2 V_{PP}$  at all temperatures except for the A<sub>V</sub> 3 test at  $-55^\circ\text{C}$  where it is reduced to  $1.5 V_{PP}$ .

**Note 7:** Slew rate is measured with a  $\pm 11V$  input pulse and  $50\Omega$  source impedance at  $25^\circ\text{C}$ . Since voltage gain is typically 0.9 driving a  $50\Omega$  load, the output swing will be approximately  $\pm 10V$ . Slew rate is calculated for transitions between  $\pm 5V$  levels on both rising and falling edges. A high speed measurement is done to minimize device heating. For slew rate versus junction temperature see typical performance curves. The input pulse amplitude should be reduced to  $\pm 10V$  for measurements at temperature extremes. For accurate measurements, the input slew rate should be at least  $1700\text{ V}/\mu\text{s}$ .

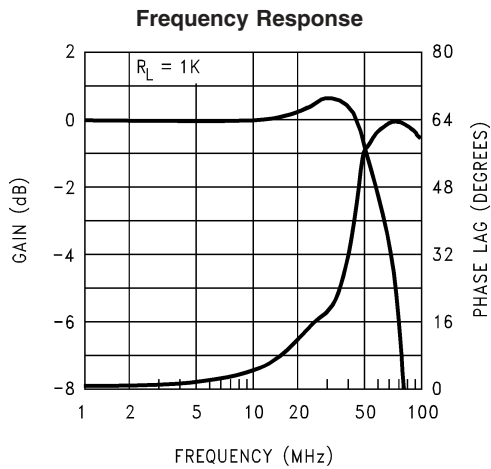
**Note 8:** The test circuit consists of the human body model of  $120\text{ pF}$  in series with  $1500\Omega$ .

**Note 9:** For specification limits over the full Military Temperature Range, see RETS6121X.

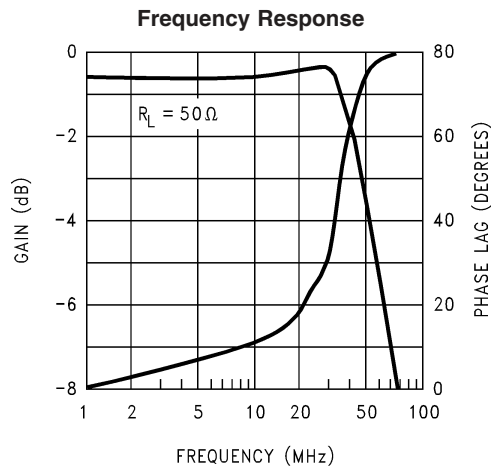
**Note 10:** The maximum power dissipation is a function of  $T_{J(max)}$ ,  $\theta_{JA}$ , and  $T_A$ . The maximum allowable power dissipation at any ambient temperature is  $P_D = (T_{J(max)} - T_A)/\theta_{JA}$ .

# Typical Performance Characteristics

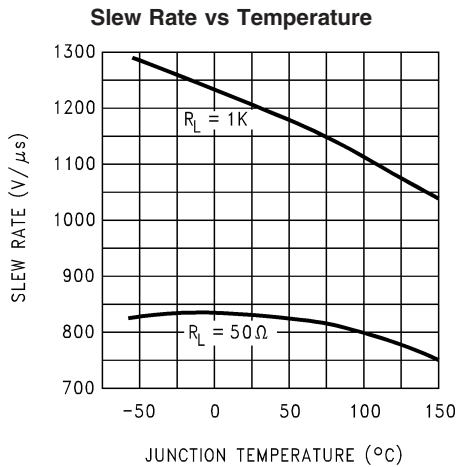
$T_J = 25^\circ\text{C}$ , unless otherwise specified



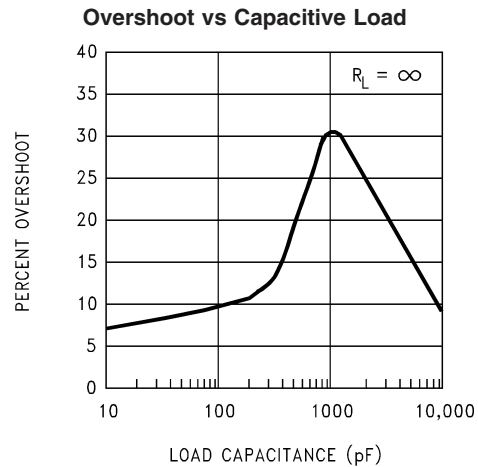
00922311



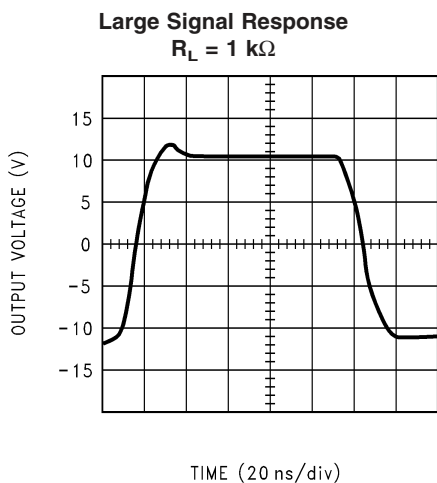
00922312



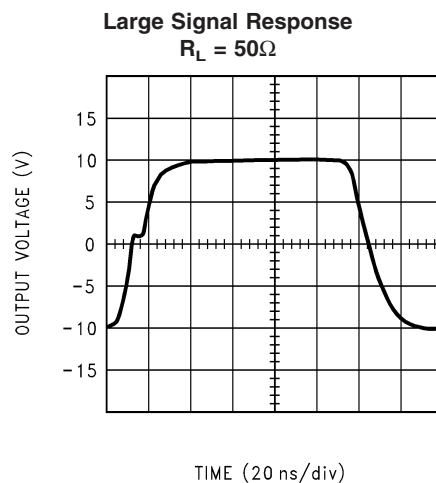
00922313



00922314



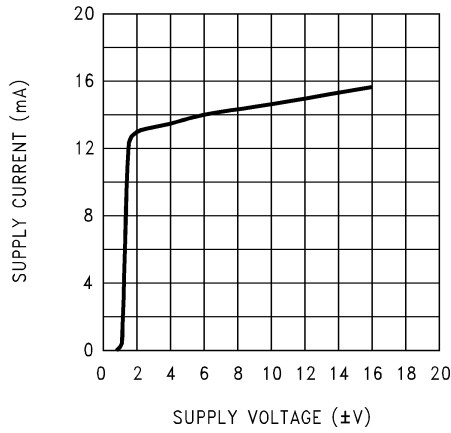
00922315



00922316

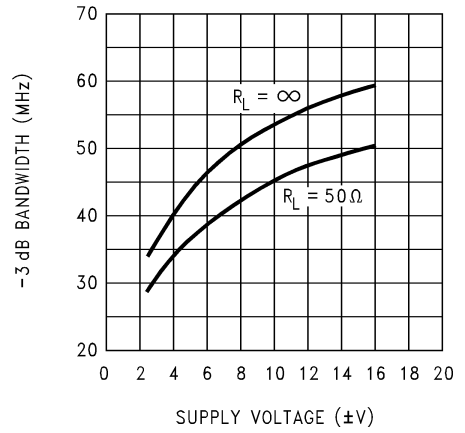
**Typical Performance Characteristics**  $T_J = 25^\circ\text{C}$ , unless otherwise specified (Continued)

**Supply Current**



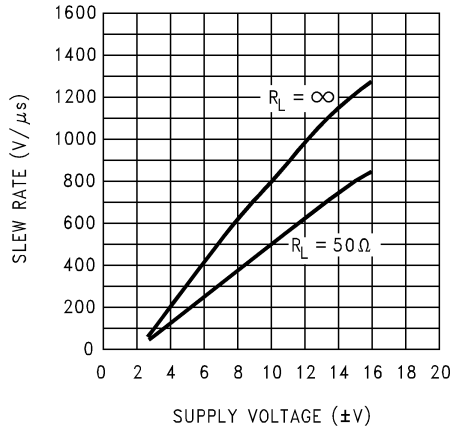
00922317

**-3 dB Bandwidth**



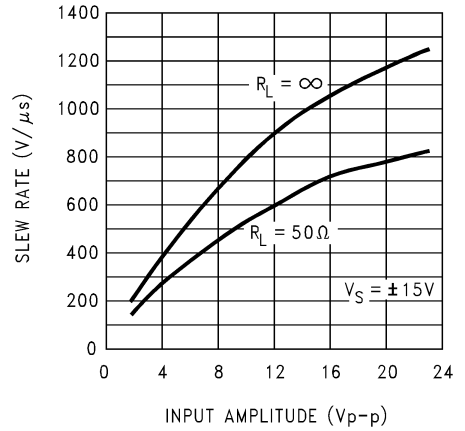
00922318

**Slew Rate**



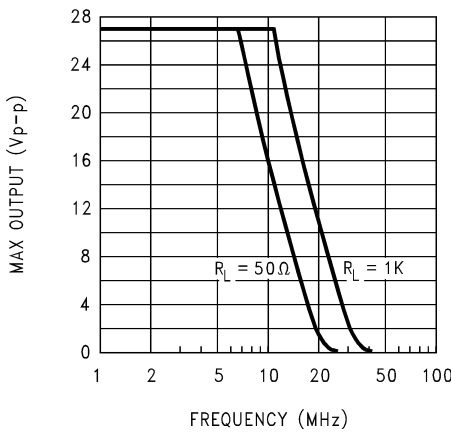
00922319

**Slew Rate**



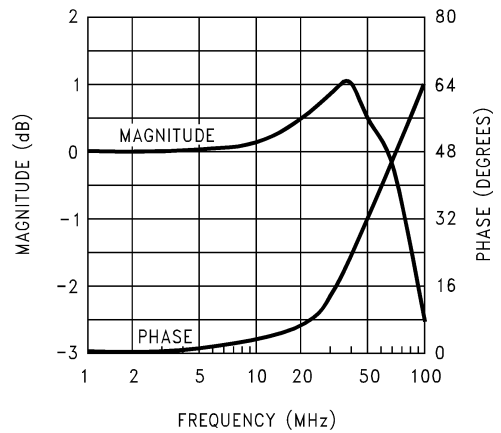
00922320

**Power Bandwidth**



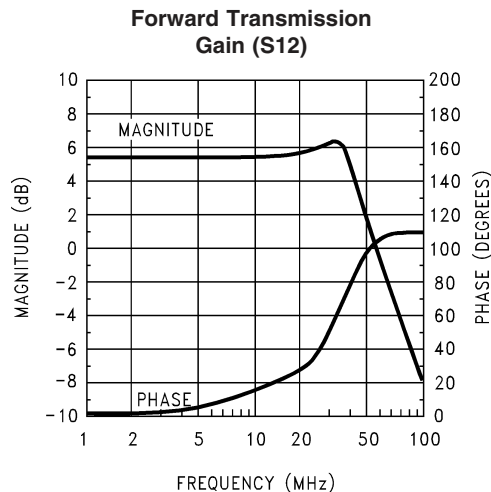
00922321

**Input Return Gain (S11)**

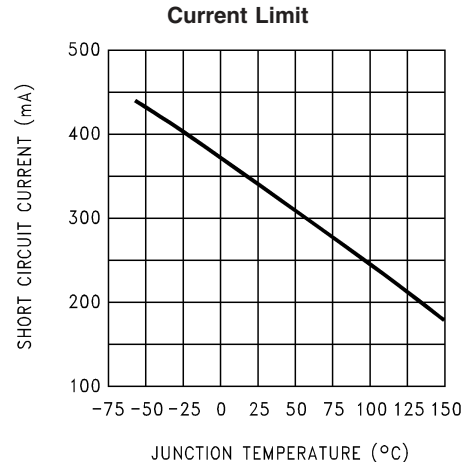


00922322

## Typical Performance Characteristics $T_J = 25^\circ\text{C}$ , unless otherwise specified (Continued)



00922323



00922324

## Application Hints

### POWER SUPPLY DECOUPLING

The method of supply bypassing is not critical for stability of the LM6121 series buffers. However, their high current output combined with high slew rate can result in significant voltage transients on the power supply lines if much inductance is present. For example, a slew rate of  $900\text{ V}/\mu\text{s}$  into a  $50\Omega$  load produces a  $di/dt$  of  $18\text{ A}/\mu\text{s}$ . Multiplying this by a wiring inductance of  $50\text{ nH}$  (which corresponds to approximately  $1\frac{1}{2}$ " of 22 gauge wire) result in a  $0.9\text{V}$  transient. To minimize this problem use high quality decoupling very close to the device. Suggested values are a  $0.1\text{ }\mu\text{F}$  ceramic in parallel with one or two  $2.2\text{ }\mu\text{F}$  tantalums. A ground plane is recommended.

### LOAD IMPEDANCE

The LM6121 is stable to any load when driven by a  $50\Omega$  source. As shown in the *Overshoot vs Capacitive Load* graph, worst case is a purely capacitive load of about  $1000\text{ pF}$ . Shunting the load capacitance with a resistor will reduce overshoot.

### SOURCE INDUCTANCE

Like any high frequency buffer, the LM6121 can oscillate at high values of source inductance. The worst case condition occurs at a purely capacitive load of  $50\text{ pF}$  where up to  $100\text{ nH}$  of source inductance can be tolerated. With a  $50\Omega$  load, this goes up to  $200\text{ nH}$ . This sensitivity may be reduced at the expense of a slight reduction in bandwidth by adding a resistor in series with the buffer input. A  $100\Omega$  resistor will ensure stability with source inductances up to  $400\text{ nH}$  with any load.

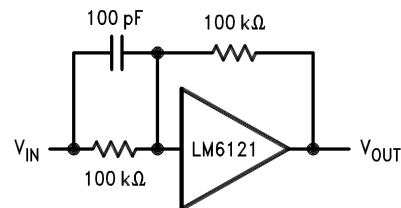
### OVERVOLTAGE PROTECTION

The LM6121 may be severely damaged or destroyed if the Absolute Maximum Rating of  $7\text{V}$  between input and output pins is exceeded.

If the buffer's input-to-output differential voltage is allowed to exceed  $7\text{V}$ , a base-emitter junction will be in reverse-breakdown, and will be in series with a forward-biased base-emitter junction. Referring to the LM6121 simplified schematic, the transistors involved are Q1 and Q3 for positive

inputs, and Q2 and Q4 for negative inputs. If any current is allowed to flow through these junctions, localized heating of the reverse-biased junction will occur, potentially causing damage. The effect of the damage is typically increased offset voltage, increased bias current, and/or degraded AC performance. Furthermore, this will defeat the short-circuit and over-temperature protection circuitry. Exceeding  $\pm 7\text{V}$  input with a shorted output will destroy the device.

The device is best protected by the insertion of the parallel combination of a  $100\text{ k}\Omega$  resistor (R1) and a small capacitor (C1) in series with the buffer input, and a  $100\text{ k}\Omega$  resistor (R2) from input to output of the buffer (see Figure 1). This network normally has no effect on the buffer output. However, if the buffer's current limit or shutdown is activated, and the output has a ground-referred load of significantly less than  $100\text{ k}\Omega$ , a large input-to-output voltage may be present. R1 and R2 then form a voltage divider, keeping the input-output differential below the  $7\text{V}$  Maximum Rating for input voltages up to  $14\text{V}$ . This protection network should be sufficient to protect the LM6121 from the output of nearly any amp which is operated on supply voltages of  $\pm 15\text{V}$  or lower.



00922306

FIGURE 1. LM6121 with Overvoltage Protection

### HEATSINK REQUIREMENTS

A heatsink may be required with the LM6321 depending on the maximum power dissipation and maximum ambient temperature of the application. Under all possible operating conditions, the junction temperature must be within the range specified under Absolute Maximum Ratings.

To determine if a heatsink is required, the maximum power dissipated by the buffer,  $P(\text{max})$ , must be calculated. The formula for calculating the maximum allowable power dissi-

## Application Hints (Continued)

pation in any application is  $P_D = (T_J(\max) - T_A) / \theta_{JA}$ . For the simple case of a buffer driving a resistive load as in *Figure 2*, the maximum DC power dissipation occurs when the output is at half the supply. Assuming equal supplies, the formula is  $P_D = I_S (2V^+) + V^{+2} / 4 R_L$ .

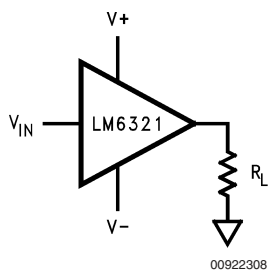


FIGURE 2.

The next parameter which must be calculated is the maximum allowable temperature rise,  $T_R(\max)$ . This is calculated by using the formula:

$$T_R(\max) = T_J(\max) - T_A(\max)$$

where:  $T_J(\max)$  is the maximum allowable junction temperature

$T_A(\max)$  is the maximum ambient temperature

Using the calculated values for  $T_R(\max)$  and  $P(\max)$ , the required value for junction-to-ambient thermal resistance,  $\theta_{(J-A)}$ , can now be found:

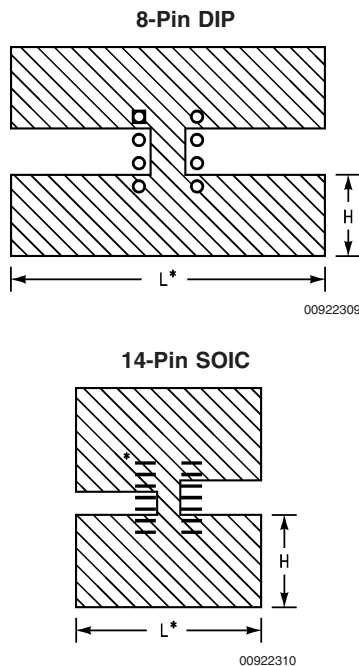
$$\theta_{(J-A)} = T_R(\max) / P(\max)$$

The heatsink for the LM6321 is made using the PC board copper. The heat is conducted from the die, through the lead frame (inside the part), and out the pins which are soldered to the PC board. The pins used for heat conduction are:

TABLE 1.

Part	Package	Pins
LM6321N	8-Pin DIP	1, 4, 5, 8
LM6321M	14-Pin SO	1, 2, 3, 6, 7, 8, 9, 13, 14

*Figure 3* shows copper patterns which may be used to dissipate heat from the LM6321.



\*For best results, use  $L = 2H$

FIGURE 3. Copper Heatsink Patterns

TABLE 2.

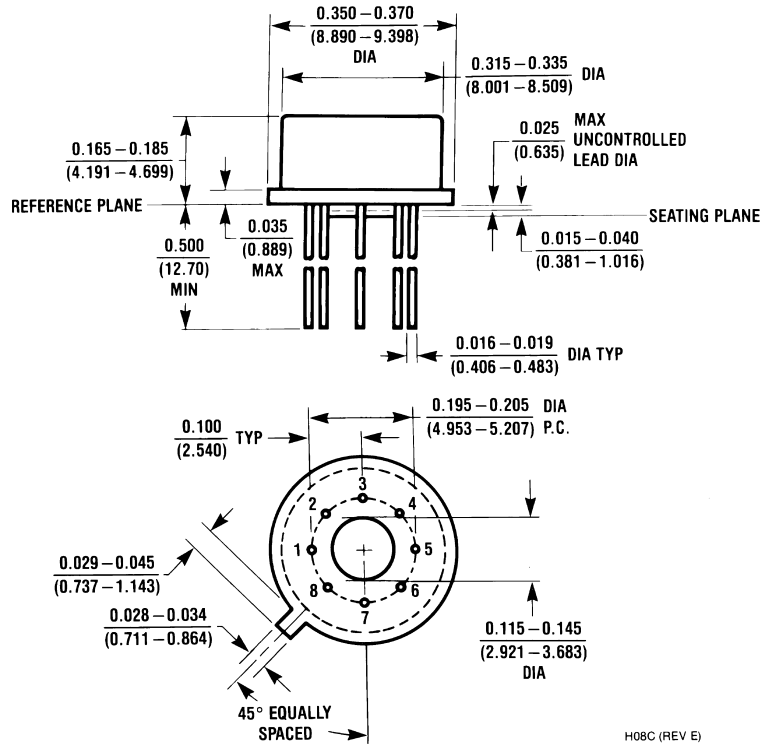
Package	L (in.)	H (in.)	$\theta_{JA}$ (°C/W)
8-Pin DIP	2	0.5	47
14-Pin SO	1	0.5	69
	2	1	57

*Table 2* shows some values of junction-to-ambient thermal resistance ( $\theta_{JA}$ ) for values of L and W for 2 oz. copper:

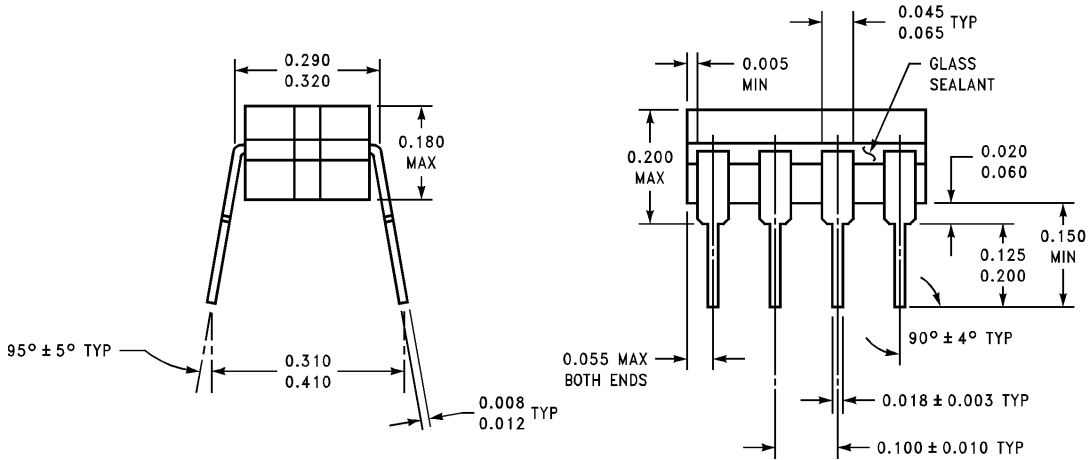
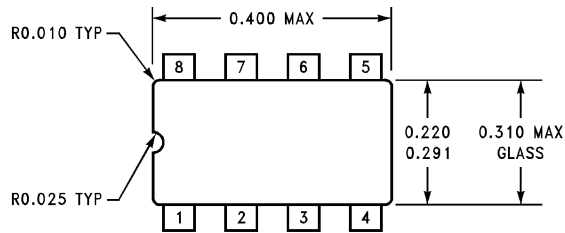


**Physical Dimensions** inches (millimeters)

unless otherwise noted

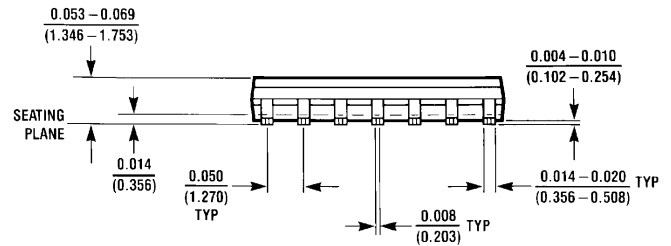
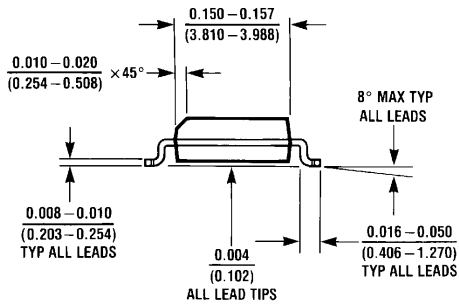
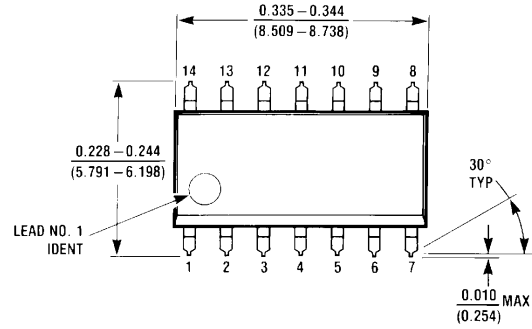


**Metal Can Package (H)**  
 Order Number LM6221H or LM6121H/883  
 NS Package Number H08C



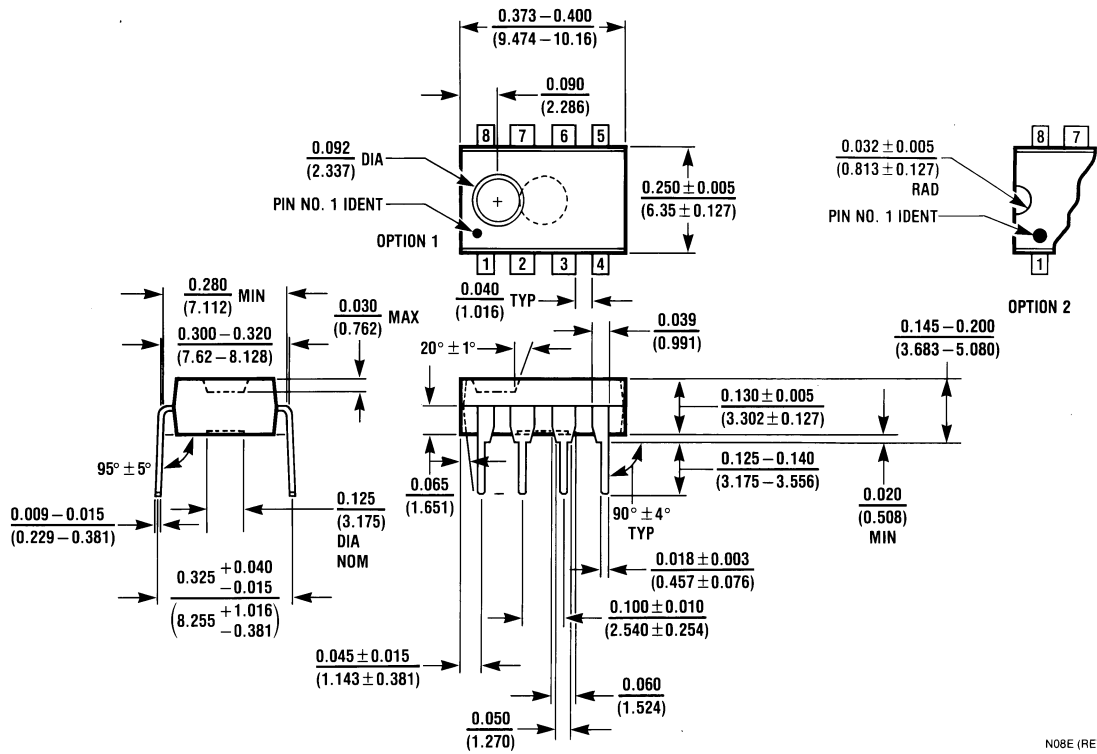
**8-Pin Ceramic Dual-In-Line Package (J)**  
 Order Number LM6121J/883  
 NS Package Number J08A

**Physical Dimensions** inches (millimeters) unless otherwise noted (Continued)



M14A (REV H)

**14-Pin Small Outline Package (M)**  
**Order Number LM6321M**  
**NS Package Number M14A**



N08E (REV F)

**Molded Dual-In-Line Package (N)**  
**Order Number LM6221N or LM6321N**  
**NS Package Number N08E**

## Notes

### LIFE SUPPORT POLICY

NATIONAL'S PRODUCTS ARE NOT AUTHORIZED FOR USE AS CRITICAL COMPONENTS IN LIFE SUPPORT DEVICES OR SYSTEMS WITHOUT THE EXPRESS WRITTEN APPROVAL OF THE PRESIDENT AND GENERAL COUNSEL OF NATIONAL SEMICONDUCTOR CORPORATION. As used herein:

1. Life support devices or systems are devices or systems which, (a) are intended for surgical implant into the body, or (b) support or sustain life, and whose failure to perform when properly used in accordance with instructions for use provided in the labeling, can be reasonably expected to result in a significant injury to the user.
2. A critical component is any component of a life support device or system whose failure to perform can be reasonably expected to cause the failure of the life support device or system, or to affect its safety or effectiveness.

### BANNED SUBSTANCE COMPLIANCE

National Semiconductor certifies that the products and packing materials meet the provisions of the Customer Products Stewardship Specification (CSP-9-111C2) and the Banned Substances and Materials of Interest Specification (CSP-9-111S2) and contain no "Banned Substances" as defined in CSP-9-111S2.



**National Semiconductor**  
Americas Customer  
Support Center  
Email: [new.feedback@nsc.com](mailto:new.feedback@nsc.com)  
Tel: 1-800-272-9959

**National Semiconductor**  
Europe Customer Support Center  
Fax: +49 (0) 180-530 85 86  
Email: [europe.support@nsc.com](mailto:europe.support@nsc.com)  
Deutsch Tel: +49 (0) 69 9508 6208  
English Tel: +44 (0) 870 24 0 2171  
Français Tel: +33 (0) 1 41 91 8790

**National Semiconductor**  
Asia Pacific Customer  
Support Center  
Email: [ap.support@nsc.com](mailto:ap.support@nsc.com)

**National Semiconductor**  
Japan Customer Support Center  
Fax: 81-3-5639-7507  
Email: [jpn.feedback@nsc.com](mailto:jpn.feedback@nsc.com)  
Tel: 81-3-5639-7560

[www.national.com](http://www.national.com)