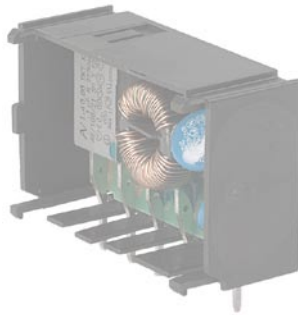


IEC Appliance Connector C14 with Line Switch 1- or 2-pole



Inlet with line switch

KPF Filter Module
(not enclosed)

C14



70° C

**Description**

- Panel Mount:
Sandwich/rear-side
- 2 Functions:
Appliance Inlet Protection class I, Line switch 1- and 2- pole
- For PCB mounting
- Alternative: version with line filter [KPF](#); [KPS](#)
- We recommend for new applications the new type [DC21](#)

Approvals

- VDE License Number: 40008635
- UL License Number: E96454
- CSA License Number: 38456

Characteristics

- Panel mount from rear or "sandwich" between top and bottom/side to side panels
PCB mount with snap-in or screw-on <BREAK/> feet (self tapping screws Ø 3 x 8 mm)
- All single elements are already wired
- Line switch non-illuminated
- Insulation cover on the rear-side
- Qualified for use in equipment according IEC/EN 60950

Other versions on request

- Solder terminals
- Quick-connect terminals
- Line switch, illuminated (only 2-pole version)
- Line switch with other rocker marking
- For protection class II

Weblinks

[Approvals](#), [RoHS](#), [CHINA-RoHS](#), [e-Store](#), [SCHURTER-Stock-Check](#), [Distributor-Stock-Check](#)

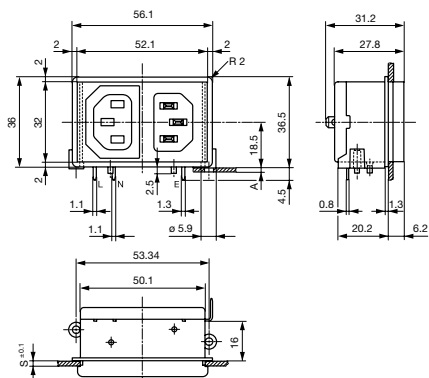
Technical Data

Ratings IEC	10 A / 250 VAC; 50 Hz
Ratings UL/CSA	15 A / 250 VAC; 60 Hz
Dielectric Strength	> 2.3 kVAC between L-N > 2.8 kVAC between L/N-PE (1 min/50 Hz)
Allowable Operation Temp.	-25 °C to 70 °C
Degree of Protection	from front side IP 40 acc. to IEC 60529
Protection Class	Suitable for appliances with protection class I acc. to IEC 61140
Terminal	For PCB mounting Quick connect terminals 4.8 x 0.8 mm Solder terminal on request
Panel Thickness s	Snap-in: 1.5/ 2/ 2.5/ 3 mm
Material: Housing	Thermoplastic, black, UL 94V-0

Appliance-Inlet/-Outlet	C14 acc. to IEC/EN 60320-1, UL 498, CSA C22.2 no. 42 (for cold conditions) pin-temperature 70 °C, 10A, Protection class I
Line Switch	Rocker switch 1 or 2 pole, non-illuminated, acc. to IEC 61058-1 Technical details

Dimensions

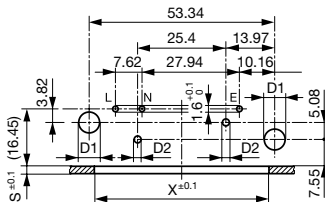
Screw on PCB mounting



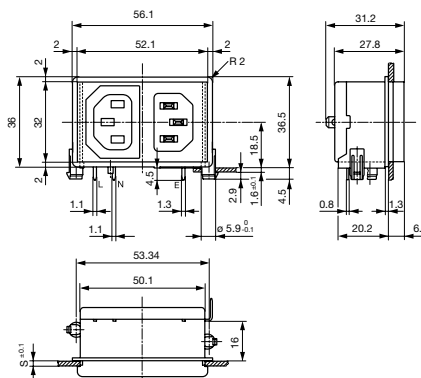
A = for PCB-thickness 1.2/1.6/2.0/2.4 mm

Additional quick connect terminal 4.8 x 0.8 mm

For 2-pole inlet/switch, 2-pole inlet/fuseholder and inlet/outlet



56.1 mm
Snap-in PCB mounting

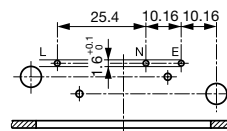


Additional quick connect terminal 4.8 x 0.8 mm

s = panel thickness

For 1-pole inlet/switch and 1-pole inlet/fuseholder

S and X see mounting holes



Other dimensions as for 2-poles

d1 = 6 ± 0.05 for (snap-in)

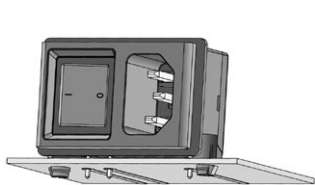
d1 = 3.6 (screw-on)

d2 = 2 ± 0.1 (screw-on)

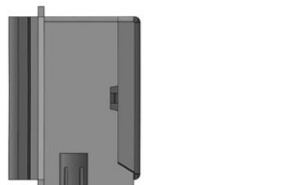
Dimensions without tolerance:

≤ 15 = ± 0.05; ≥ 15 = ± 0.1

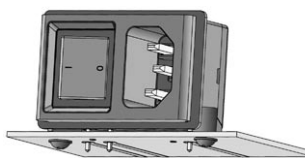
Mounting instructions



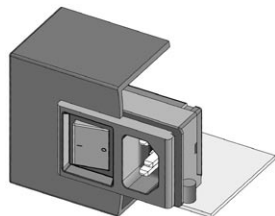
Stable snap feet requires minimal insertion force



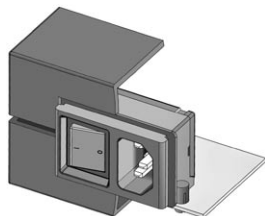
Module must lay flat on the PCB when soldering



Screw-on mount uses self-tapping screws

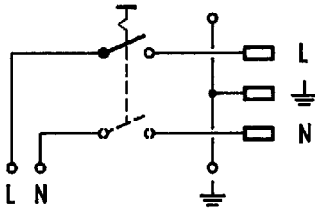


Insertion from behind



"Sandwich" mounting with split enclosure panels

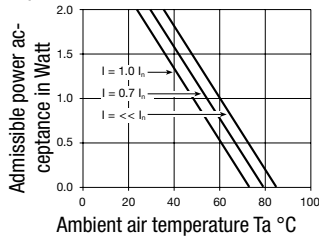
Diagrams



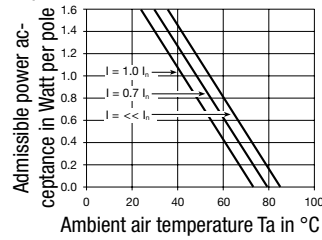
Inlet with line switch

Derating Curves

1-pole



2-pole



Variants

[Distributor-Stock-Check](#) | [SCHURTER-Stock-Check](#) | [e-Store](#)

Panel mounting	Panel Thickness s [mm]	PCB [mm]	Line Switch	Fuseholder	Connector	Order Number
Screw-on	2	1.2/1.6/2.0/2.4	1 pole	-	-	KP01.1252.11
Screw-on	2	1.2/1.6/2.0/2.4	2-pole	-	-	KP01.1152.11
Screw-on	3	1.2/1.6/2.0/2.4	1 pole	-	-	KP01.1253.11
Screw-on	3	1.2/1.6/2.0/2.4	2-pole	-	-	KP01.1153.11
Snap-in	2	1.6	1 pole	-	-	KP01.1212.11
Snap-in	2	1.6	2-pole	-	-	KP01.1112.11
Snap-in	3	1.6	1 pole	-	-	KP01.1213.11
Snap-in	3	1.6	2-pole	-	-	KP01.1113.11

Type KP without cover: KP01.XXXX.XX90

Ground Terminal with solder pin: KP01.XXXX.X3XX

Packaging unit

50 Pcs

Mating Outlets/Connectors

Category / Description



Appliance Outlet

IEC appliance outlet F, screw-on mounting, front side, solder /quick connect terminal	4787
IEC appliance outlet F, screw-on mounting, front side, solder /quick connect terminal	4788
IEC appliance outlet F oder H, screw-on mounting, front side, solder/PCB/quick connect terminal	5091
IEC appliance outlet F oder H, screw-on mounting, front side, solder/quick connect terminal	5092

Connector



IEC cord connector C15, rewirable, straight	0101
IEC cord connector C15A, rewirable, straight	0102
IEC cord connector C15A, rewirable, straight	0102-G
IEC cord connector C15A, rewirable, angled	0112
IEC cord connector C13, rewirable, angled	4012
IEC cord connector C13, rewirable, angled	4013
IEC cord connector C13, rewirable, straight	4020
IEC cord connector C13, rewirable, straight	4021
IEC cord connector C13, rewirable, straight	4022
IEC cord connector C13, rewirable, angled	4300-06
	...

Power Supply or Interconnection Cord



Power Cord with IEC Appliance Connector C13, angled, 70°C	0311
Power Cord with IEC Appliance Connector C13, angled, 70°C	3011
Power Cord with IEC Appliance Connector C13, angled, 70°C	3012
Power Cord with IEC Appliance Connector C13, angled, 70°C	3013
Power Cord with IEC Appliance Connector C13, 70°C	3020
Power Cord with IEC Appliance Connector C13, straight, 70°C	3027
Power Cord with IEC Appliance Connector C13, straight, 70°C	302U
Power Cord with IEC Appliance Connector C13, straight, 70°C	3030
Power Cord with IEC Appliance Connector C13, angled, 70°C	311L
Power Cord with IEC Appliance Connector C13, angled, 70°C	312L
	...