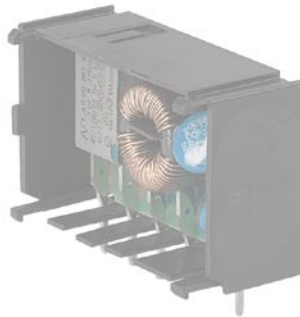
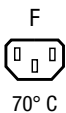


## IEC Appliance Connector C14 with Appliance Plug F



Inlet with outlet

KPF Filter Module  
(not enclosed)**Description**

- Panel Mount:  
Sandwich/rear-side
- 2 Functions:  
Appliance Inlet Protection class I, Connector Protection class I
- For PCB mounting
- Alternative: version with line filter [KPF](#); [KPS](#)

**Approvals**

- VDE License Number: 40008635
- UL License Number: E103791
- CSA License Number: 38456

**Characteristics**

- Panel mount from rear or "sandwich" between top and bottom/side to side panels  
PCB mount with snap-in or screw-on <BREAK/> feet (self tapping screws Ø 3 x 8 mm)
- All single elements are already wired
- Insulation cover on the rear-side
- Qualified for use in equipment according IEC/EN 60950

**Other versions on request**

- Solder terminals
- Quick-connect terminals
- For protection class II

**Weblinks**

[Approvals](#), [RoHS](#), [CHINA-RoHS](#), [e-Store](#), [SCHURTER-Stock-Check](#), [Distributor-Stock-Check](#)

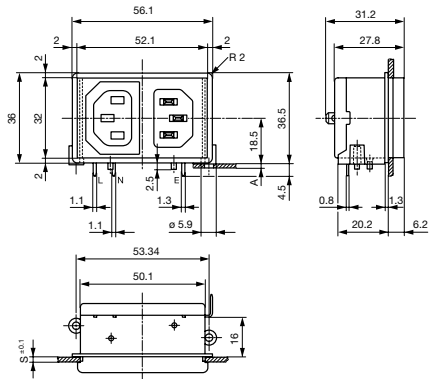
**Technical Data**

Ratings IEC	10A / 250VAC; 50Hz
Ratings UL/CSA	10A / 125VAC; 60Hz
Dielectric Strength	> 2.3kVAC between L-N > 2.8kVAC between L/N-PE (1 min/50Hz)
Allowable Operation Temp.	-25 °C to 70 °C
Degree of Protection	from front side IP 40 acc. to IEC 60529
Protection Class	Suitable for appliances with protection class I acc. to IEC 61140
Terminal	For PCB mounting Quick connect terminals 4.8 x 0.8 mm Solder terminal on request
Panel Thickness s	Snap-in: 1.5/ 2/ 2.5/ 3 mm
Material: Housing	Thermoplastic, black, UL 94V-0

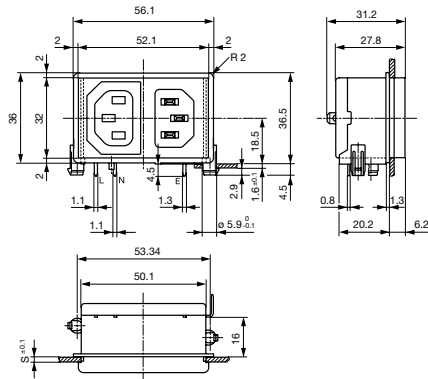
Appliance-Inlet/-Outlet	C14 acc. to IEC/EN 60320-1 and F acc. to IEC/EN 60320-2-2, UL 498, CSA C22.2 no. 42 (for cold conditions) pin-temperature 70 °C, 10A, Protection class I
-------------------------	---

## Dimensions

Screw on PCB mounting



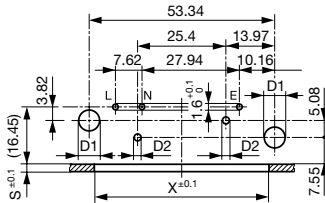
56.1 mm  
Snap-in PCB mounting



A = for PCB-thickness 1.2/1.6/2.0/2.4 mm

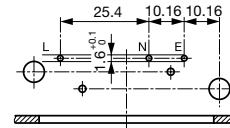
Additional quick connect terminal 4.8 x 0.8 mm

For 2-pole inlet/switch, 2-pole inlet/fuseholder and inlet/outlet



Additional quick connect terminal 4.8 x 0.8 mm  
s = panel thickness

For 1-pole inlet/switch and 1-pole inlet/fuseholder  
S and X see mounting holes



Other dimensions as for 2-poles

d1 = 6 ± 0.05 for (snap-in)

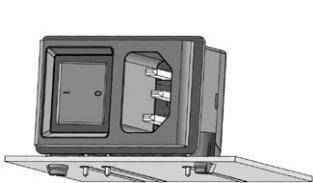
d1 = 3.6 (screw-on)

d2 = 2 ± 0.1 (screw-on)

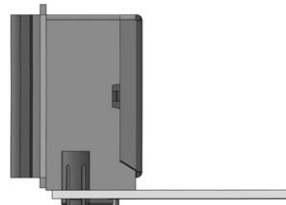
Dimensions without tolerance:

≤ 15 = ± 0.05; ≥ 15 = ± 0.1

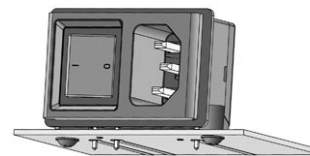
## Mounting instructions



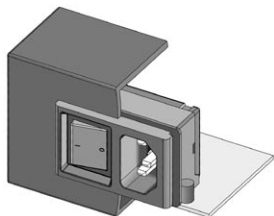
Stable snap feet requires minimal insertion force



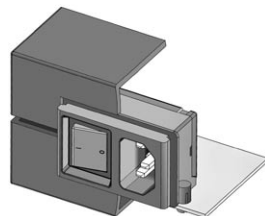
Module must lay flat on the PCB when soldering



Screw-on mount uses self-tapping screws

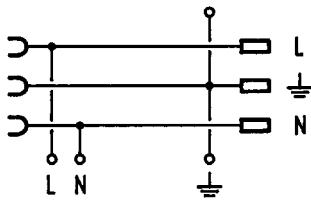


Insertion from behind



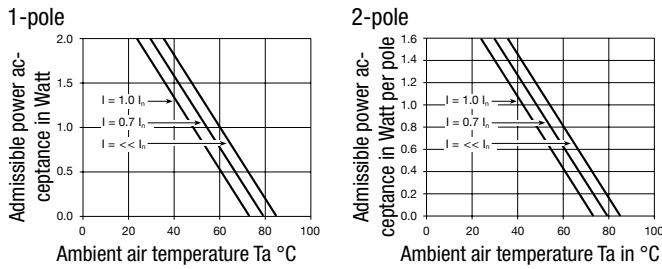
"Sandwich" mounting with split enclosure panels

Diagrams



Inlet with outlet

Derating Curves



Variants

[Distributor-Stock-Check](#) | [SCHURTER-Stock-Check](#) | [e-Store](#)

Panel mounting	Panel Thickness s [mm]	PCB [mm]	Line Switch	Fuseholder	Connector	Order Number
Screw-on	2	1.2/1.6/2.0/2.4	-	-	F	KP01.1052.01
Screw-on	3	1.2/1.6/2.0/2.4	-	-	F	KP01.1053.01
Snap-in	2	1.6	-	-	F	KP01.1012.01
Snap-in	3	1.6	-	-	F	KP01.1013.01

Type KP without cover: KP01.XXXX.XX90

Ground Terminal with solder pin: KP01.XXXX.X3XX

Packaging unit 50 Pcs

Mating Inlets/Plugs

Category / Description

Interconnection Cord



Power Cord with IEC Appliance Plug E, angled, 70°C	0607
Power Cord with IEC Appliance Plug E, angled, 70°C	0608
Power Cord with IEC Appliance Plug E, straight, 70°C	0609
Power Cord with IEC Appliance Plug G, angled, 70°C	607B
Power Cord with IEC Appliance Plug G, angled, 70°C	608B
Power Cord with IEC Appliance Plug G, straight, 70°C	609B

Plug Connector



IEC plug connector E, rewirable, straight, max. cable diameter 8.5 mm	4732
IEC plug connector E, rewirable, angled, max. cable diameter 10 mm	4733
IEC plug connector E, rewirable, straight, max. cable diameter 10 mm	4735
IEC plug connector E, rewirable, angled, max. cable diameter 10 mm	4736
IEC plug connector E, rewirable, straight	9009
IEC plug connector E, rewirable, angled	9013
IEC plug connector E, rewirable, angled	P685

## Mating Outlets/Connectors



### Appliance Outlet

IEC appliance outlet F, screw-on mounting, front side, solder /quick connect terminal	4787
IEC appliance outlet F, screw-on mounting, front side, solder /quick connect terminal	4788
IEC appliance outlet F oder H, screw-on mounting, front side, solder/PCB/quick connect terminal	5091
IEC appliance outlet F oder H, screw-on mounting, front side, solder/quick connect terminal	5092

### Connector



IEC cord connector C15, rewirable, straight	0101
IEC cord connector C15A, rewirable, straight	0102
IEC cord connector C15A, rewirable, straight	0102-G
IEC cord connector C15A, rewirable, angled	0112
IEC cord connector C13, rewirable, angled	4012
IEC cord connector C13, rewirable, angled	4013
IEC cord connector C13, rewirable, straight	4020
IEC cord connector C13, rewirable, straight	4021
IEC cord connector C13, rewirable, straight	4022
IEC cord connector C13, rewirable, angled	4300-06

...

### Power Supply or Interconnection Cord



Power Cord with IEC Appliance Connector C13, angled, 70°C	0311
Power Cord with IEC Appliance Connector C13, angled, 70°C	3011
Power Cord with IEC Appliance Connector C13, angled, 70°C	3012
Power Cord with IEC Appliance Connector C13, angled, 70°C	3013
Power Cord with IEC Appliance Connector C13, 70°C	3020
Power Cord with IEC Appliance Connector C13, straight, 70°C	3027
Power Cord with IEC Appliance Connector C13, straight, 70°C	302U
Power Cord with IEC Appliance Connector C13, straight, 70°C	3030
Power Cord with IEC Appliance Connector C13, angled, 70°C	311L
Power Cord with IEC Appliance Connector C13, angled, 70°C	312L

...