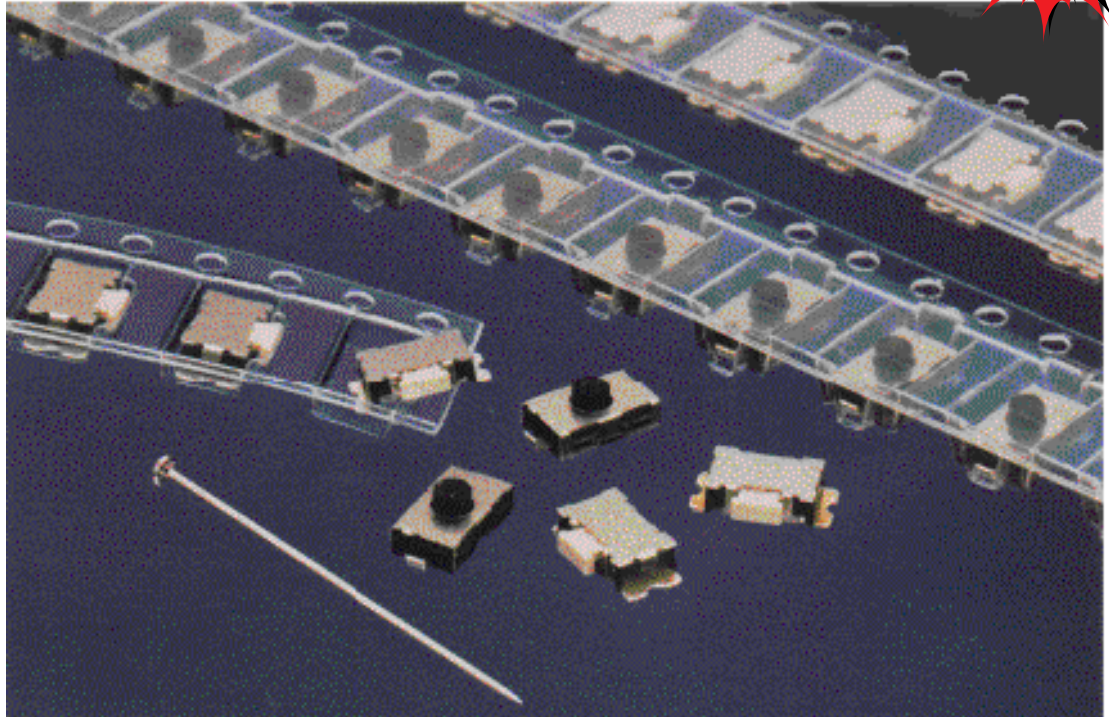


# **C&K** *KN Series* *Ultra-Miniature Tactile Switch*



*The ideal switch  
when height is  
critical and space  
is limited.*



C&K's new surface mount *KN Series Ultra-Miniature Tactile Switch* features a low profile, compact size that is ideal for applications where height is critical and space is limited. This tactile switch is a reliable, cost-effective solution for your most difficult design problems. Available with side or top actuation, the KN Series has all the features you're looking for including:

## **Features**

- **Low profile, compact size**
- **SPST momentary function**
- **Positive tactile feedback**
- **Actuation forces from 120g to 450g**
- **Mechanical & electrical life from 100k to 200k cycles**
- **Tape and reel packaging**

## **Typical Applications**

- **Cellular phones**
- **Pagers**
- **Small portable electronic equipment**
- **Medical instrumentation**
- **2-way radios**
- **Data collection equipment**

C&K's *KN Series Ultra-Miniature Tactile Switch* complements the most complete line of tactile switches in the industry. For consistent quality and on-time delivery in both standard and custom switch designs, call today!

**Tel: (800) 635-5936**  
**Fax: (617) 926-6846**  
**Web Site: [www.ckcorp.com](http://www.ckcorp.com)**

**C&K**® C&K Components, Inc.  
57 Stanley Avenue  
Watertown, MA 02172-4802  
**The Primary Source Worldwide...®**

# KN Series Ultra-Miniature Tactile Switch

## Top Actuated Models (KN11)

### SPECIFICATIONS

FUNCTION: Momentary.

CONTACT TYPE: Normally open.

TERMINATIONS:

KN01: Surface mount, right angle.

KN11: Surface mount, gull wing.

CONTACT RATING:

1.0 VA max. @ 50 V DC max.

DIELECTRIC STRENGTH: 250 V DC min.

CONTACT RESISTANCE: 100 milliohms max.

INSULATION RESISTANCE:  $10^9$  ohms min.

OPERATING TEMPERATURE:  $-40^{\circ}\text{C}$  to  $+85^{\circ}\text{C}$ .

SOLDERING PROCESS: Suitable for surface mount reflow soldering.

CLEANING: No wash recommended.

PACKAGING: Tape and reel.

KN01: 3,000 pieces per reel.

KN11: 2,500 pieces per reel.

### MATERIALS

BASE: PPS (UL 94V-0).

ACTUATOR:

KN01: LCP (UL 94V-0).

KN11: EPDM rubber.

SURFACE PLATE: Stainless steel.

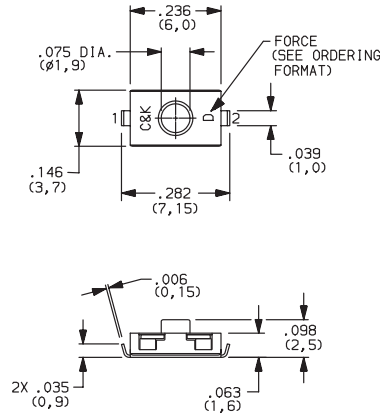
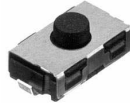
MOVABLE CONTACTS: Stainless steel, silver plate.

STATIONARY CONTACTS: Brass, with silver plate over nickel plate.

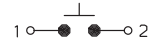
TERMINALS:

KN01: Brass, with silver plate over nickel plate.

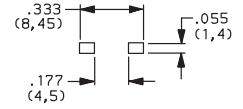
KN11: Brass, with tin-lead alloy over nickel plate.



### CIRCUIT DIAGRAM

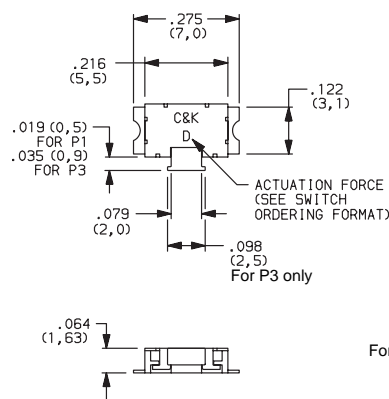


### PAD LAYOUT



MODEL NUMBER	OPERATING FORCE (grams)	OPERATING LIFE (k cycles)	TRAVEL (mm)
KN11B1FJM	120	100	0.30
KN11B1DJM	200	200	0.50
KN11B1NJM	450	100	0.60

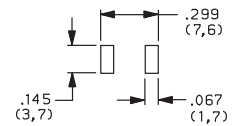
## Side Actuated Models (KN01)



### CIRCUIT DIAGRAM



### PAD LAYOUT



MODEL NUMBER	OPERATING FORCE (grams)	OPERATING LIFE (k cycles)	TRAVEL (mm)
KN01P1DSAQ	200	100	0.30
KN01P3DSAQ	200	100	0.30
KN01P3LSAQ	400	100	0.30