

## Features

- DC to 2.2 GHz
- Terminals for PCB placement
- Low VSWR
- Aluminum Nitride ceramic
- High power
- RoHS compliant\*

## Applications

- RF amplifiers
- Attenuators
- Antenna feeds
- Wilkinson dividers

# CHF2010xNP Series 10 W Power RF Chip Termination/Resistor

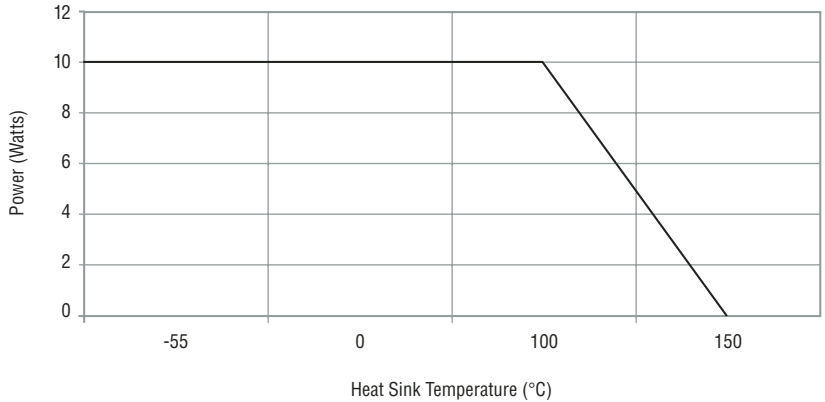
### General Specifications

Substrate.....	ALN
Resistive Film .....	Thick-Film
Terminals .....	NiSn and NiAu
Capacitance.....	0.75 pF
Resistance	
CHF2010CNP500L .....	50 Ω
CHF2010CNP101R.....	100 Ω
CHF2010DNP101R.....	100 Ω
Tolerance	
CHF2010CNP500L .....	±5 %
CHF2010CNP101R.....	±5 %
CHF2010DNP101R.....	±2 %
Packaging	
Tape & Reel.....	2000 pcs./10 " reel
Bulk .....	100 pcs./bag

### Absolute Ratings

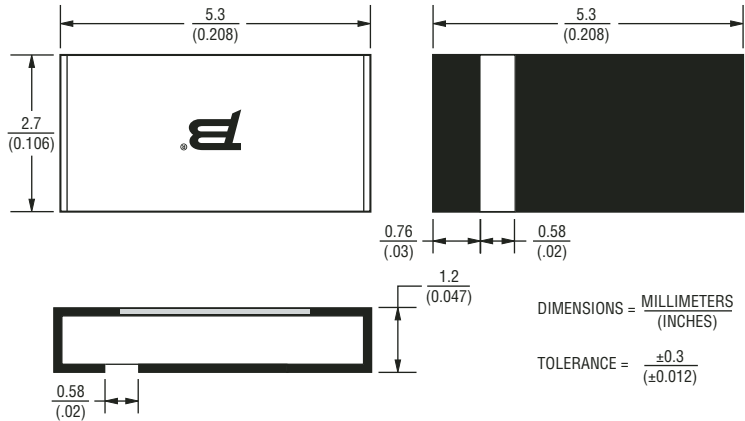
Power.....	10 W
Frequency	
CHF2010CNP500L.....	2 GHz
CHF2010CNP101R .....	2.2 GHz
CHF2010DNP101R .....	2.2 GHz
VSWR .....	1.2 Maximum

### Characteristic Curve

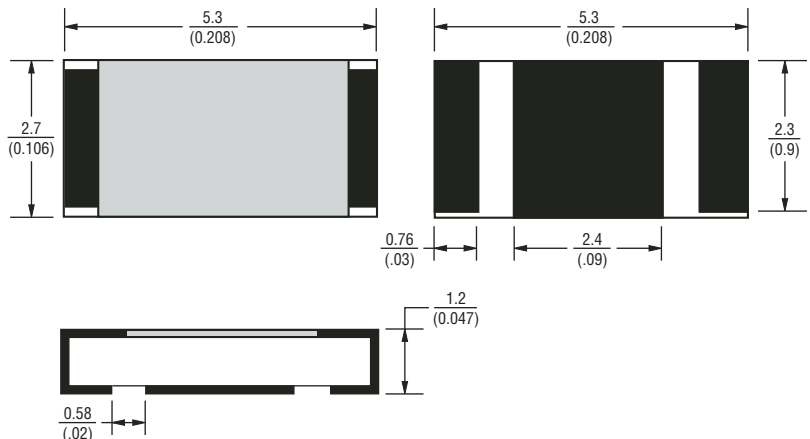


### Product Dimensions

#### CHF2010CNP500L



#### CHF2010CNP101R & CHF2010DNP101R



*Reliable Electronic Solutions*

**Asia-Pacific:**  
Tel: +886-2 2562-4117  
Fax: +886-2 2562-4116

**Europe:**  
Tel: +41-41 768 5555  
Fax: +41-41 768 5510

**The Americas:**  
Tel: +1-951 781-5500  
Fax: +1-951 781-5700

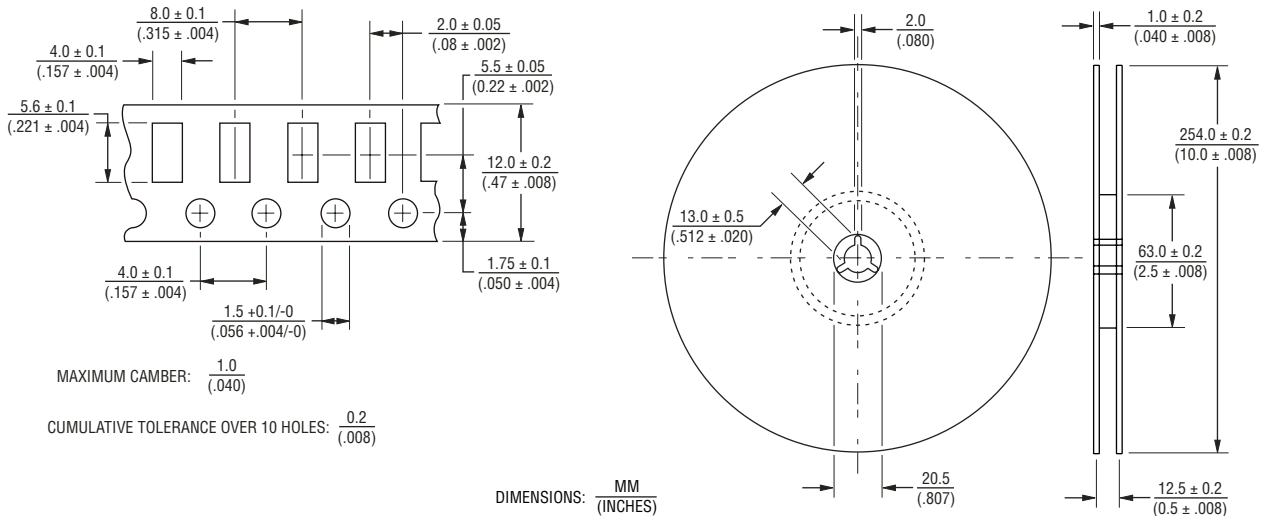
[www.bourns.com](http://www.bourns.com)

\*RoHS Directive 2002/95/EC Jan 27 2003, including Annex  
Specifications are subject to change without notice.  
Customers should verify actual device performance in their specific applications.

# CHF2010xNP Series 10 W Power RF Chip Termination/Resistor



## Packaging Dimensions



## How To Order

CHF 2010 C N P 500 L X E

Model \_\_\_\_\_

Package \_\_\_\_\_

Version \_\_\_\_\_

C = 5 % Tolerance  
D = 2 % Tolerance

Substrate \_\_\_\_\_

Mount \_\_\_\_\_

P = Printed Circuit Board

Resistance Code \_\_\_\_\_

500 = 50 Ohm  
101 = 100 Ohm

Type \_\_\_\_\_

L = Termination (One Lead)  
R = Resistor (Two Leads)

Plating \_\_\_\_\_

W = NiSn  
X = Ni Au

Packaging \_\_\_\_\_

Blank = Bulk (100 pcs./bag)  
E = Tape & Reel (2,000 pcs./10 " reel)