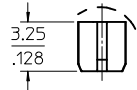
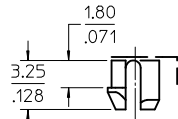
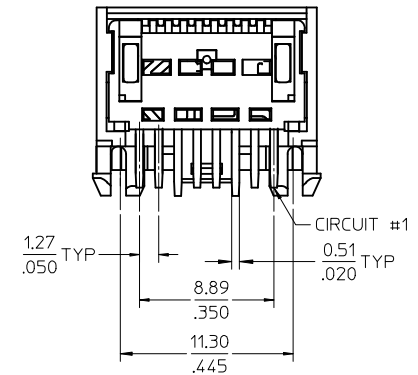
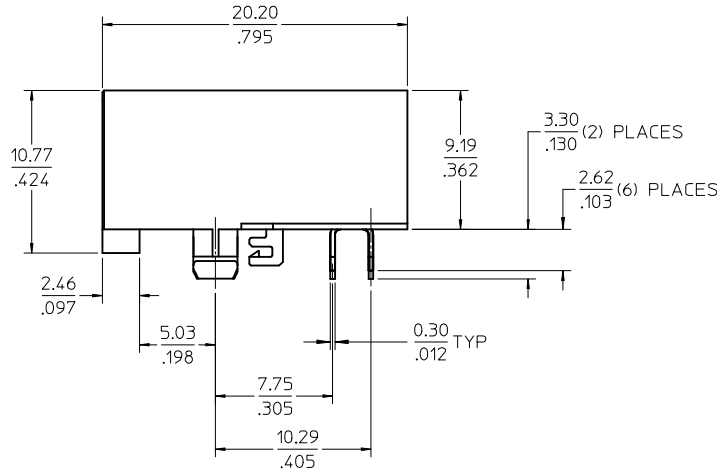
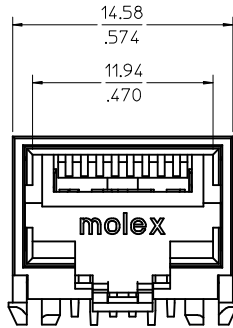
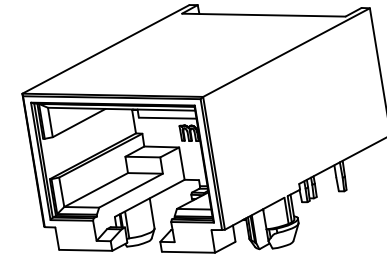


- NOTES:
 1) MATERIAL:
 HOUSING: NYLON(IPA), GLASS FILLED, UL94V-0, COLOR: BLACK
 TERMINALS: PHOSPHOR BRONZE
 2) FINISH:
 TERMINALS:
 SELECT GOLD IN CONTACT AREA: 1.27 MICROMETERS / 50 MICROINCHES MIN.,
 *SELECT MATTE TIN IN PC TAIL AREA: 2.54 MICROMETERS / 100 MICROINCHES MIN.,
 WITH OVERALL NICKEL UNDERPLATE: 1.27 MICROMETERS / 50 MICROINCHES MIN.
 *THE PRIMARY SHIPPING CARTON WILL BE LABELED "COMPLIANT TO RoHS
 DIRECTIVE 2002/95/EC AND ELV ANNEX II OF DIRECTIVE 2000/53/EC".
 CARTONS WITHOUT THIS LABEL MAY CONTAIN PRODUCT WITH TIN-LEAD
 IN THE PC TAILS.
 3) PRODUCT SPECIFICATION AND PROCESSING PARAMETERS: PS-44560-003.
 4) PACKAGING SPECIFICATION:
 CONNECTOR PACKAGED IN TRAYS PER MOLEX PACKAGING SPECIFICATION
 PK-44661-004.
 5) CONFORMS TO FCC REGULATION PART 68.5 FOR MODULAR JACKS.
 6) SEE SHEET (4) OF (4) FOR RECOMMENDED PANEL OPENING AND PCB LAYOUT.
 7) ASSEMBLY AVAILABLE WITH EITHER SNAP-FIT OR PRESS-FIT PEGS. THIS
 DRAWING SHOWS SNAP-FIT PEGS.
 8) TERMINAL LENGTHS MAY BE DIFFERENT FROM TERMINAL TO TERMINAL.
 9) THIS PART CONFORMS TO CLASS B REQUIREMENTS OF COSMETIC
 SPECIFICATION PS-45499-002.



SNAP-FIT PEG

PRESS-FIT PEG

ASSEMBLY MATERIAL NUMBER	PEG STYLE
446610002	SNAP-FIT
446611002	PRESS-FIT

REV	DESCRIPTION	QUALITY SYMBOLS
G1	UPDATE NOTES EC NO: UCP2009-1236 DRWN: KLOSTEMEIER 2008/11/12 CHKD: JBELL 2008/11/13 APPR: FSMITH 2008/11/14	▽=0 ▽=0

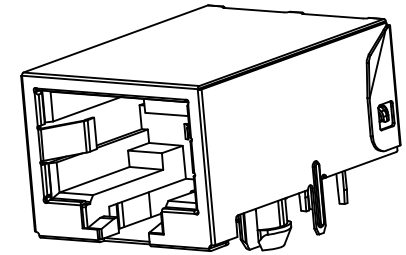
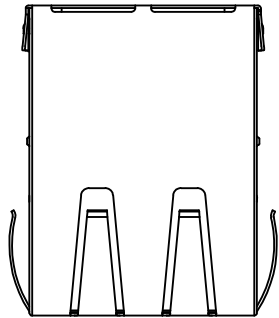
GENERAL TOLERANCES (UNLESS SPECIFIED)	
mm	INCH
4 PLACES ± .005	± .0005
3 PLACES ± .002	± .0002
2 PLACES ± 0.30	± .012
1 PLACE ± .005	± .0005
ANGULAR ± 1/2°	

DRAFT WHERE APPLICABLE MUST REMAIN WITHIN DIMENSIONS

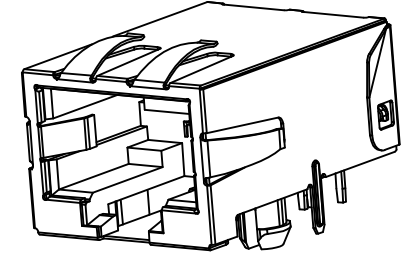
DIMENSION STYLE		SCALE	DESIGN UNITS	THIRD ANGLE PROJECTION
MM/IN		4:1	INCH	THIRD ANGLE PROJECTION
DRAWN BY	DATE	TITLE		
MKAMAR	00/04/07	COMPACT SINGLE PORT CATEGORY 5 MODJACK		
CHECKED BY	DATE	MOLEX INCORPORATED		
MKAMAR	00/04/07	SD-44661-001		
APPROVED BY	DATE	SHEET NO.		
JROBERTS	00/04/07	1 OF 4		
MATERIAL NO.	DOCUMENT NO.	THIS DRAWING CONTAINS INFORMATION THAT IS PROPRIETARY TO MOLEX INCORPORATED AND SHOULD NOT BE USED WITHOUT WRITTEN PERMISSION		
SEE CHART	SD-44661-001			

NOTES:

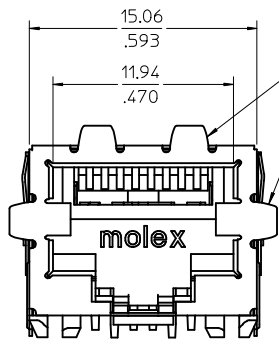
- 1) MATERIAL:
HOUSING: NYLON(PA), GLASS FILLED, UL94V-0, COLOR: BLACK
TERMINALS: PHOSPHOR BRONZE
SHIELD: BRASS, 0.18 / .007 THICK
- 2) FINISH:
TERMINALS:
SELECT GOLD IN CONTACT AREA: 127 MICROMETERS / 50 MICROINCHES MIN.
*SELECT MATTE TIN IN PC TAIL AREA: 2.54 MICROMETERS / 100 MICROINCHES MIN., WITH OVERALL NICKEL UNDERPLATE: 1.27 MICROMETERS / 50 MICROINCHES MIN.
SHIELD:
*2.54 MICROMETERS / 100 MICROINCHES NICKEL OVER 1.27 MICROMETERS / 50 MICROINCHES COPPER UNDERPLATE, PCB GROUND TABS DIPPED IN TIN
*THE PRIMARY SHIPPING CARTON WILL BE LABELED "COMPLIANT TO RoHS DIRECTIVE 2002/95/EC AND ELV ANNEX II OF DIRECTIVE 2000/53/EC". CARTONS WITHOUT THIS LABEL MAY CONTAIN PRODUCT WITH TIN-LEAD IN THE PC TAILS AND/OR SHIELD.
- 3) PRODUCT SPECIFICATION AND PROCESSING PARAMETERS: PS-44560-003.
- 4) PACKAGING SPECIFICATION:
CONNECTOR PACKAGED IN TRAYS PER MOLEX PACKAGING SPECIFICATION PK-44661-004.
- 5) CONFORMS TO FCC REGULATION PART 68.5 FOR MODULAR JACKS.
- 6) ENHANCED GROUND TABS SHIELD (OPTION -B-) IS SHOWN IN THIS DRAWING.
- 7) SEE SHEET (4) OF (4) FOR RECOMMENDED PANEL OPENING AND PCB LAYOUT.
- 8) ASSEMBLY AVAILABLE WITH EITHER SNAP-FIT OR PRESS-FIT PEGS. THIS DRAWING SHOWS SNAP-FIT PEGS.
- 9) TERMINAL LENGTHS MAY BE DIFFERENT FROM TERMINAL TO TERMINAL.
- 10) THIS PART CONFORMS TO CLASS B REQUIREMENTS OF COSMETIC SPECIFICATION PS-45499-002.



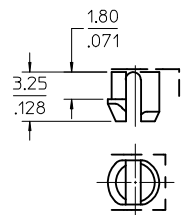
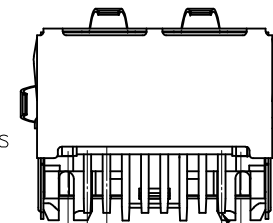
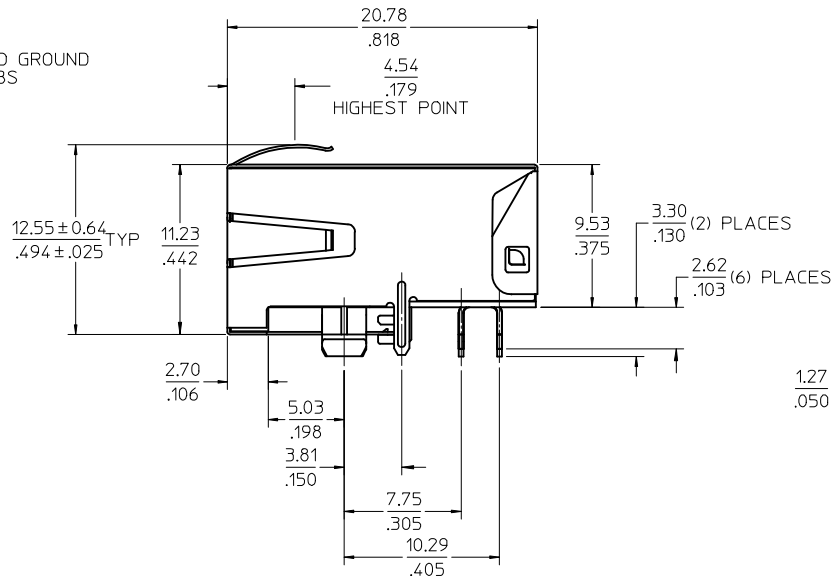
SHIELDING OPTION -A-
STANDARD SHIELD



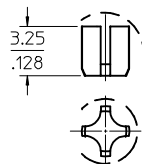
SHIELDING OPTION -B-
ENHANCED GROUND TABS



ENHANCED GROUND TABS



SNAP-FIT PEG



PRESS-FIT PEG

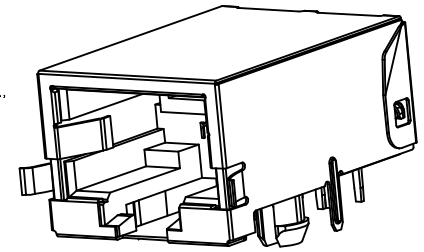
ASSEMBLY MATERIAL NUMBER	PEG STYLE	SHIELDING OPTION
446610001	SNAP-FIT	A
446610011	SNAP-FIT	B
446611001	PRESS-FIT	A
446611011	PRESS-FIT	B

REV	DESCRIPTION	QUALITY SYMBOLS
G1	UPDATE NOTES EC NO: UCP2009-1236 DRWN: JLO/STME/ER 2008/11/12 CHKD: BELL 2008/11/13 APPR: FSM/TH 2008/11/14	<p>▽=0</p> <p>▽=0</p>

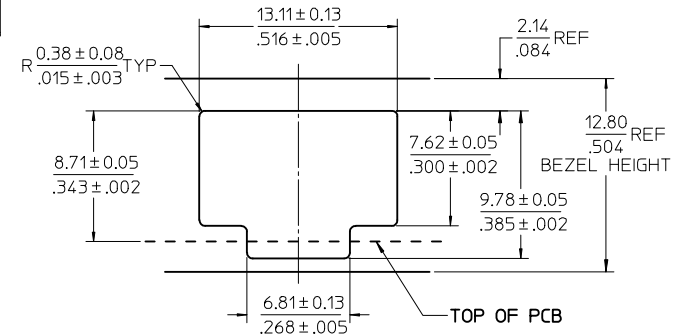
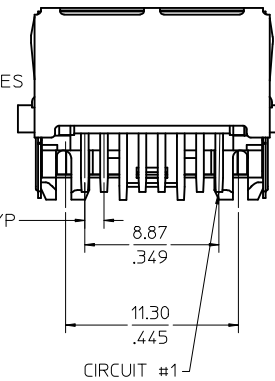
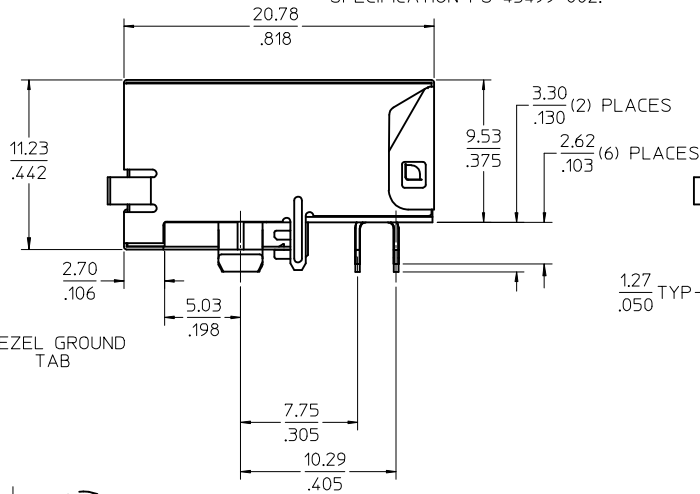
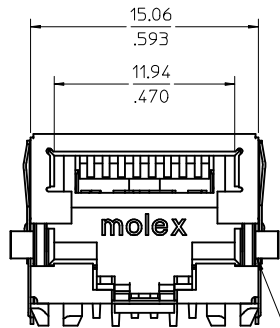
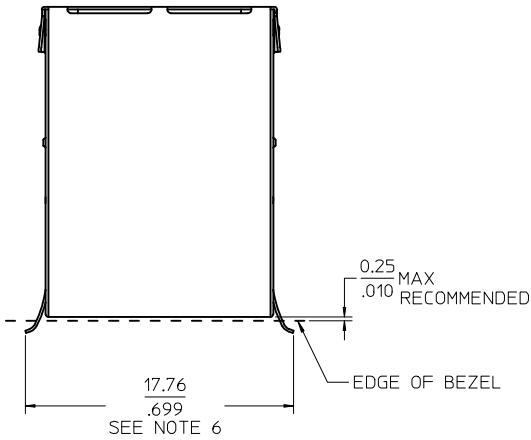
GENERAL TOLERANCES (UNLESS SPECIFIED)	
mm	INCH
4 PLACES ± .012	± .005
3 PLACES ± .012	± .005
2 PLACES ± 0.30	± .012
1 PLACE ± .012	± .005
ANGULAR ± 1/2°	
DRAFT WHERE APPLICABLE MUST REMAIN WITHIN DIMENSIONS	

DIMENSION STYLE		SCALE	DESIGN UNITS	THIRD ANGLE PROJECTION
MM/IN		4:1	INCH	
DRAWN BY	DATE	TITLE		
MKAMAR	00/04/07	COMPACT SINGLE PORT CATEGORY 5 MODJACK		
CHECKED BY	DATE	MOLEX INCORPORATED		
MKAMAR	00/04/07	SD-44661-001		
APPROVED BY	DATE	SHEET NO.		
JROBERTS	00/04/07	2 OF 4		
MATERIAL NO.	DOCUMENT NO.	THIS DRAWING CONTAINS INFORMATION THAT IS PROPRIETARY TO MOLEX INCORPORATED AND SHOULD NOT BE USED WITHOUT WRITTEN PERMISSION		
SEE CHART	SD-44661-001			

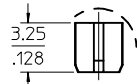
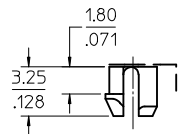
- NOTES:
- MATERIAL:
HOUSING: NYLON (PA), GLASS FILLED, UL94V-0, COLOR: BLACK
TERMINALS: PHOSPHOR BRONZE
SHIELD: BRASS, 0.18 / .007 THICK
 - FINISH:
TERMINALS:
SELECT GOLD IN CONTACT AREA: 1.27 MICROMETERS / 50 MICROINCHES MIN.,
*SELECT MATTE TIN IN PC TAIL AREA: 2.54 MICROMETERS / 100 MICROINCHES MIN.,
WITH OVERALL NICKEL UNDERPLATE: 1.27 MICROMETERS / 50 MICROINCHES MIN.
SHIELD:
*2.54 MICROMETERS / 100 MICROINCHES NICKEL OVER 1.27 MICROMETERS / 50 MICROINCHES COPPER UNDERPLATE, PCB GROUND TABS DIPPED IN TIN.
*THE PRIMARY SHIPPING CARTON WILL BE LABELED "COMPLIANT TO RoHS DIRECTIVE 2002/95/EC AND ELV ANNEX II OF DIRECTIVE 2000/53/EC".
CARTONS WITHOUT THIS LABEL MAY CONTAIN PRODUCT WITH TIN-LEAD IN THE PC TAILS AND/OR SHIELD.
 - PRODUCT SPECIFICATION AND PROCESSING PARAMETERS: PS-44560-003.
 - PACKAGING SPECIFICATION:
CONNECTOR PACKAGED IN TRAYS PER MOLEX PACKAGING SPECIFICATION PK-44661-004.
 - CONFORMS TO FCC REGULATION PART 68.5 FOR MODULAR JACKS.
 - THIS DIMENSION HAS A MAXIMUM OF 20.45/0.805 WHEN THE JACK IS INSTALLED BEHIND THE BEZEL.
 - SEE SHEET (4) OF (4) FOR PCB LAYOUT.
 - ASSEMBLY AVAILABLE WITH EITHER SNAP-FIT OR PRESS-FIT PEGS. THIS DRAWING SHOWS SNAP-FIT PEGS.
 - TERMINAL LENGTHS MAY BE DIFFERENT FROM TERMINAL TO TERMINAL.
 - THIS PART CONFORMS TO CLASS B REQUIREMENTS OF COSMETIC SPECIFICATION PS-45499-002.



SHIELDING OPTION -C-
BEZEL GROUND TABS



RECOMMENDED
PANEL OPENING
FOR PMC BEZEL ONLY

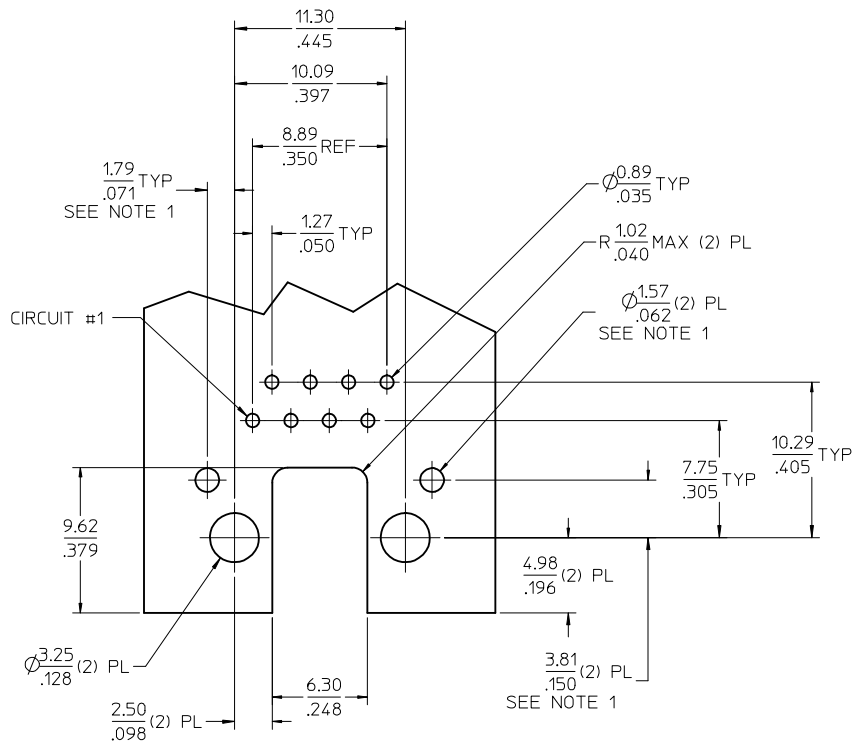
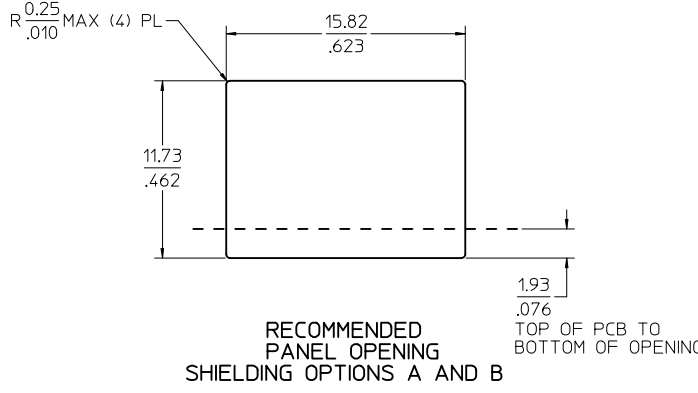


SNAP-FIT PEG

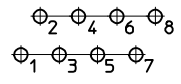
PRESS-FIT PEG

UPDATE NOTES EC NO: UCP2009-1236 DRAWN: KLOSTERMAYER 2008/11/12 CHKD: JBELL 2008/11/13 APPR: FSMITH 2008/11/14	DESCRIPTION REV	QUALITY SYMBOLS ▽=0 ▽=0	GENERAL TOLERANCES (UNLESS SPECIFIED)		DIMENSION STYLE MM/IN	SCALE 4:1	DESIGN UNITS INCH	THIRD ANGLE PROJECTION
			mm	INCH	DRAWN BY MKAMAR	DATE 00/04/07	TITLE COMPACT SINGLE PORT CATEGORY 5 MODJACK	
G1	REV		4 PLACES ± .012	± .012	CHECKED BY MKAMAR	DATE 00/04/07	MOLEX INCORPORATED	DOCUMENT NO. SD-44661-001
			3 PLACES ± .012	± .012	APPROVED BY JROBERTS	DATE 00/04/07		
			2 PLACES ± 0.30	± .012	MATERIAL NO. SEE CHART	SIZE C		
			1 PLACE ± .012	± .012	THIS DRAWING CONTAINS INFORMATION THAT IS PROPRIETARY TO MOLEX INCORPORATED AND SHOULD NOT BE USED WITHOUT WRITTEN PERMISSION			
DRAFT WHERE APPLICABLE MUST REMAIN WITHIN DIMENSIONS					SHEET NO. 3 OF 4			

ASSEMBLY MATERIAL NUMBER	PEG STYLE
446610021	SNAP-FIT
446611021	PRESS-FIT



PCB LAYOUT : COMPONENT SIDE
RECOMMENDED PCB THICKNESS (SNAP-FIT PEG) : 1.57/.062
TOLERANCE \pm .076/.003 UNLESS OTHERWISE SPECIFIED



TYPICAL PC TERMINAL HOLE LAYOUT

NOTES:
1. DIMENSIONS REFER TO ASSEMBLIES WITH SHIELDING OPTION

EC NO: UCP2009-1236 DRWN: KLOSTEMEIER 2008/11/12 CHKD: JRELL 2008/11/13 APPR: FSMITH 2008/11/14 DESCRIPTION	QUALITY SYMBOLS	GENERAL TOLERANCES (UNLESS SPECIFIED)		DIMENSION STYLE	SCALE	DESIGN UNITS	THIRD ANGLE PROJECTION
	$\nabla=0$	mm	INCH	MM/IN	4:1	INCH	
	$\nabla=0$	4 PLACES \pm ---	\pm ---	DRAWN BY	DATE	TITLE	
		3 PLACES \pm ---	\pm .012	MKAMAR	00/04/07	COMPACT SINGLE PORT CATEGORY 5 MODJACK	
	2 PLACES \pm 0.30	\pm ---	CHECKED BY	DATE			
	1 PLACE \pm ---	\pm ---	MKAMAR	00/04/07			
		ANGULAR \pm 1/2°	APPROVED BY	DATE	MOLEX INCORPORATED		
			JROBERTS	00/04/07	DOCUMENT NO. SD-44661-001		
			MATERIAL NO.	N/A	SHEET NO. 4 OF 4		
		DRAFT WHERE APPLICABLE MUST REMAIN WITHIN DIMENSIONS	SIZE	THIS DRAWING CONTAINS INFORMATION THAT IS PROPRIETARY TO MOLEX INCORPORATED AND SHOULD NOT BE USED WITHOUT WRITTEN PERMISSION			