

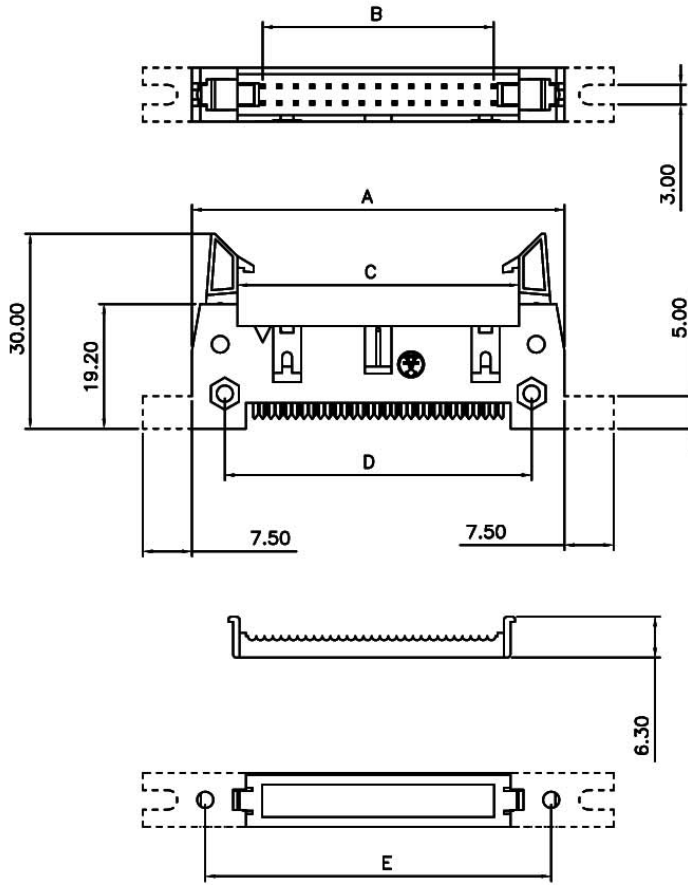
Current Rating: 3 Amps
 Insulator Resistance: 5000 Megohms min
 Dielectric Withstanding: AC 1000 V
 Operating Temperature: - 40° ~ +105° C
 Contact Material: Copper Alloy
 Insulator Material: Polyester,UL 94V-0
 Standard: PBT

Underplate: Nickel
 Contact Area: 100u" Tin/Lead Free(Matte Tin)

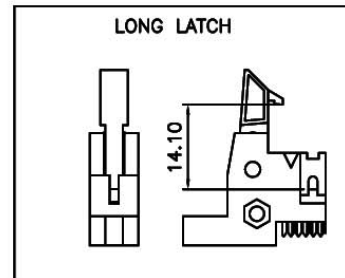
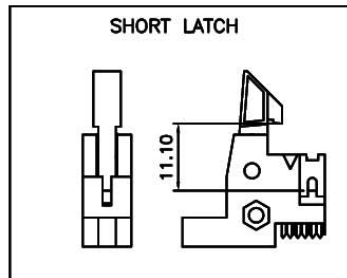
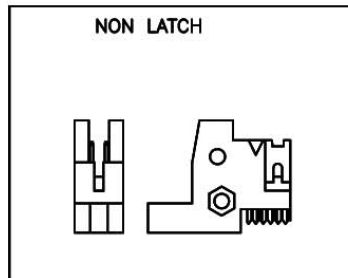
AWHxG-02x2-IDC-R

Latches
 0 - without latches
 2 - with short latches
 3 - with long latches

Number of Contacts
 10/14/16/20/26/34/40/44/50



10. LATCH OPTION:



POSITION	10	14	16	20	24	26
A	31.96	37.10	39.62	44.74	49.82	52.22
B	10.16	15.24	17.78	22.86	27.94	30.48
C	17.96	23.04	25.58	30.66	35.74	38.28
D	21.84	26.92	29.46	34.54	39.62	42.16
E	25.40	30.48	33.02	38.10	43.18	48.26
POSITION	30	34	40	50	60	64
A	57.46	62.52	70.18	82.74	95.68	100.70
B	35.56	40.64	48.26	60.96	73.66	78.74
C	43.58	48.44	56.60	68.76	81.45	86.54
D	46.74	52.32	59.94	72.64	85.34	90.42
E	53.26	58.42	66.04	80.96	93.66	98.74

UNLESS OTHERWISE SPECIFIED TOLERANCE
 ± 0.2

ASSMANN
 Electronic Components

SCALE: AS SHOWN UNIT: mm

DRAWN: JOE 12/15/05 DRAWN NAME: DUAL ROW HEADER (Pitch:2.54mm)
 CHECKED: / / IDC TYPE: 2/3

APPROVED: / / PRODUCT NO. AWHxG-02x2-IDC-R

REV. A FILE NAME:

REV.	DESCRIPTION	DATE
A	ECN-0512096(Emily)	12/14/05

SIZE: A4 REV: A