

ULTRA MINIATURE PLASTIC PACKAGE PURE SILICON™ CLOCK OSCILLATOR

ASDM



Life Size

2.5 x 2.0 x 0.80 mm

ASDM



FEATURES:

- Ultra Miniature Pure Silicon™ Clock Oscillator
- MEMS Technology by Discera
- Low Power Consumption <10mA
- Exceptional Stability Over Temp. at 40 to +85°C
- Available over Extended Operating Temperature
- Available in 30kG Shock Resistance Configuration
- Low Cost-Compact QFN Plastic Packaging
- Compact Package design

APPLICATIONS:

- CCD Clock for VTR Camera
- Equipment Connected to PCs
- Low Profile Equipment
- Lower Cost Crystal Oscillator Replacement
- Computers and Peripherals
- Portable Electronics (MP3 Players, Games)
- Consumer Electronics such as TV's, DVR's, etc.
- Vibrant, Shock-Prone & Humid Environments for Industrial Equipment
- Demanding Military & Automotive Electronics

**MEMS
Technology!**

STANDARD SPECIFICATIONS:

PARAMETERS

ABRACON P/N:	ASDM Series		
Frequency range:	1.000 MHz - 150 MHz		
Operating temperature:	0°C to +70°C (see options)		
Storage temperature:	-55°C to +155°C		
Overall Frequency Stability:	± 100 ppm max. (see options)		
Supply Voltage (Vdd):	3.0 V ± 0.3 V		
Supply Current (No Load)	6.0mA max	(T=-40 to +85°C, Vdd=3.0 ± 0.3V, CL=15pF, RL=10kΩ) (T=-40 to +85°C, Vdd=2.5 ± 0.2V, CL=15pF, RL=10kΩ) (T=-40 to +85°C, Vdd=1.8 ± 0.2V, CL=15pF, RL=10kΩ)	
Supply Current: (Full Load)	9.0mA max	(T=-40 to +85°C, Vdd=3.0 ± 0.3V, CL=15pF, RL=10kΩ) (T=-40 to +85°C, Vdd=3.0 ± 0.3V, CL=15pF, RL=10kΩ) (T=-40 to +85°C, Vdd=2.5 ± 0.2V, CL=15pF, RL=10kΩ) (T=-40 to +85°C, Vdd=1.8 ± 0.2V, CL=15pF, RL=10kΩ)	
Symmetry	45/55 % max.@ 1/2Vdd		
Rise and fall time (Tr/Tf)	5ns max. (+25°C, 15pF output load, 10/90% Vdd.)		
Output load	15 pF max., 10kohms min.		
Output voltage	VOH = 0.9* Vdd min. VOL = 0.1* Vdd max.		
Input voltage	VIH = 0.9* Vdd min. VIL = 0.1* Vdd max.		
Start-up time	10ms max.		
Enable time	10ms max.		
Disable time	100ns max.		
Tr-istate function (Stand-by)	"1" or open: Oscillation "0" : No oscillation/Hi Z		
Stand-by Current	1uA max. (T= +25°C, Vdd=3.0 ± 0.3V, 2.5 ± 0.2V, 1.8 ± 0.2V)		
Aging at +25°C/year	± 5ppm max.		

OPTIONS AND PART IDENTIFICATION:

ASDM□ - Frequency - □ - □ - □

Supply Voltage	Frequency	Operating Temp.	Freq. Stability	Packaging
ASDM1 3.3 ± 0.3V	xx.xxxx MHz	Blank 0°C to +70°C	Blank ± 100 ppm	Blank Tube (77pcs/tube)
ASDM3 2.5 ± 0.2V		M -20°C to +85°C	R** ± 25 ppm	
ASDM4 1.8 ± 0.15V		L* -40°C to +85°C	K** ± 30 ppm	T Tape and Reel (1000pcs/reel)
			C ± 50 ppm	

* Please contact Abracon for Temperature Option Availability.

** Availability depends on frequency

Please contact Abracon for order assistance for high shock application.

ABRACON IS
ISO 9001 / QS 9000
CERTIFIED



Visit www.abracon.com for Terms & Conditions of Sale **Revised: 11.18.08**
30332 Esperanza, Rancho Santa Margarita, California 92688
tel 949-546-8000 | fax 949-546-8001 | www.abracon.com

ULTRA MINIATURE PLASTIC PACKAGE PURE SILICON™ CLOCK OSCILLATOR

ASDM



Life Size

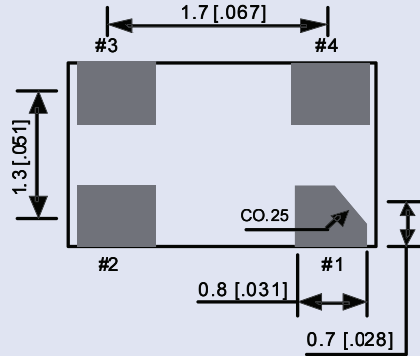
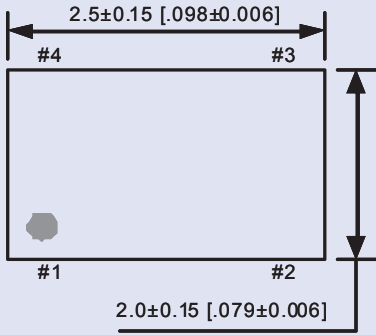
2.5 x 2.0 x 0.80mm

ASDM



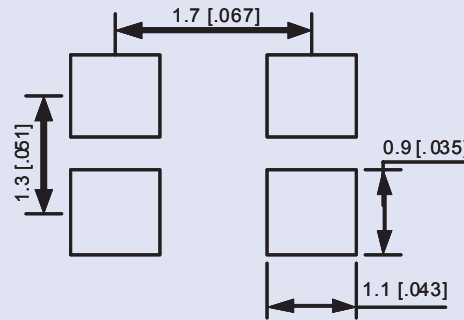
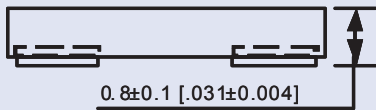
RoHS
Compliant

OUTLINE DRAWING:



No.	Pin terminal
1	Tri-state
2	Gnd
3	Output
4	V _{DD}

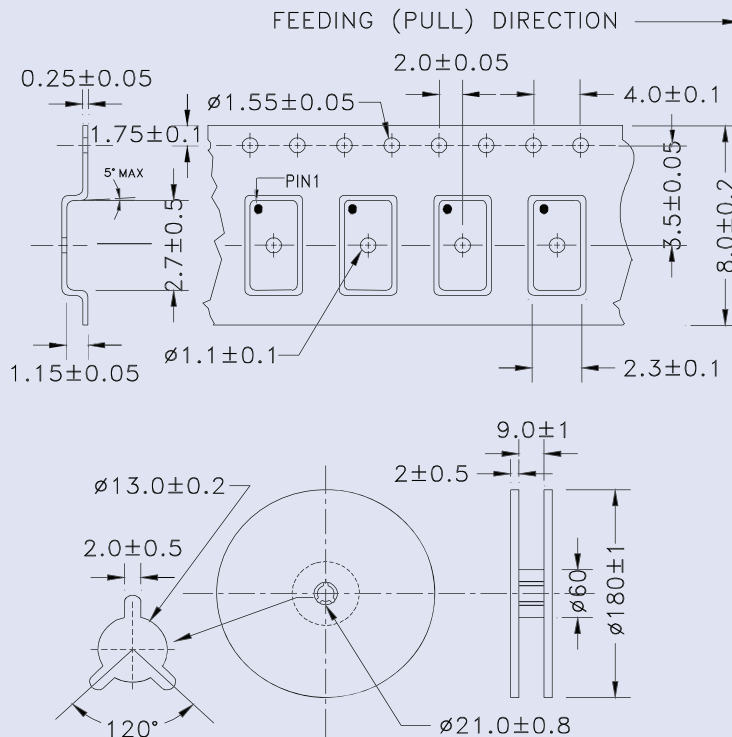
Recommended Land Pattern



Note: Recommend using an approximately 0.01uF bypass capacitor between PIN 2 and 4.

Dimensions: Inches (mm)

TAPE & REEL: Tape and reel 1,000pcs/reel



Dimensions: mm

ABRACON IS
ISO 9001 / QS 9000
CERTIFIED



Visit www.abracon.com for Terms & Conditions of Sale **Revised: 11.19.08**
30332 Esperanza, Rancho Santa Margarita, California 92688
tel 949-546-8000 | fax 949-546-8001 | www.abracon.com