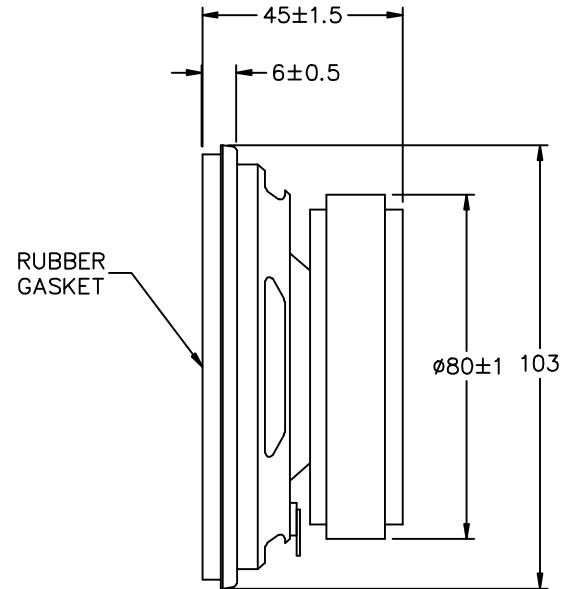
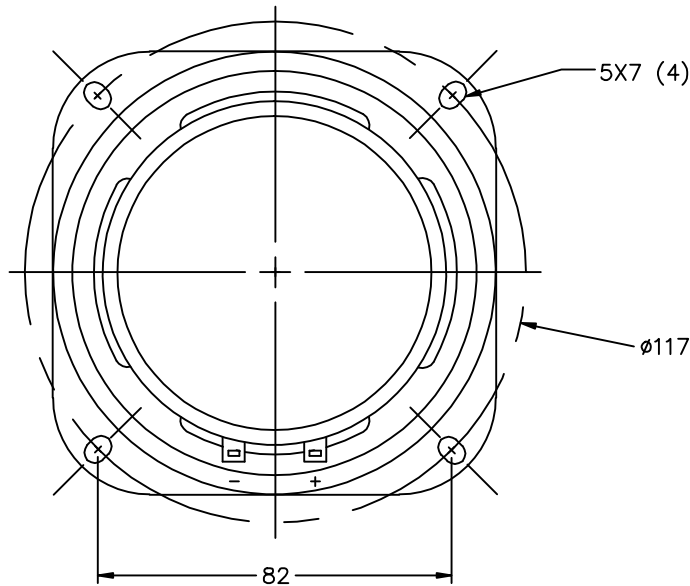


THIS DOCUMENT CONTAINS DATA PROPRIETARY TO PROJECTS UNLIMITED, INC. ANY USE OR REPRODUCTION, IN ANY FORM, WITHOUT PRIOR WRITTEN PERMISSION OF PROJECTS UNLIMITED, INC. IS PROHIBITED.
©2005, Projects Unlimited Inc.

SPECIFICATIONS

PARAMETERS	VALUES	UNITS
RATED INPUT POWER	15	W
MAX INPUT POWER	20	W
IMPEDANCE	8±15%	OHM
OUTPUT SPL @ 1W/1M (AT 0.8, 1.0, 1.2, 1.5 kHz)	93±3	dB
DISTORTION (MAX.)	7%	-
RESONANT FREQUENCY	170±20%	Hz
FREQUENCY RANGE	170 ~ 15000	Hz
HOUSING MATERIAL	METAL	-
CONE MATERIAL	PAPER	-
MAGNET MATERIAL	FERRITE	-
OPERATING TEMPERATURE	-40 ~ +85	°C
WEIGHT	476	grams


REVISIONS			
LTR	DESCRIPTION	DATE	APPROVED
-	RELEASED FROM ENGINEERING	7/5/06	
A	REVISED OPERATING TEMPERATURE	9/29/06	B.R.



NOTES:

1. ALL DIMENSIONS ARE IN MILLIMETERS.
2. SPECIFICATION SUBJECT TO CHANGE OR WITHDRAWAL WITHOUT NOTICE.
3. THIS PART IS RoHS 2002/95/EC COMPLIANT.

FILE NAME
AS10308PS-R.DWG

UNLESS OTHERWISE SPECIFIED: DIMENSIONS ARE IN MILLIMETERS, TOLERANCES ARE ±0.5 AND ANGLES ARE ±3°.		 projects® unlimited Dayton, Ohio									
<table border="1"> <thead> <tr> <th>APPROVALS</th> <th>DATE</th> </tr> </thead> <tbody> <tr> <td>DRAWN <i>J.D.</i></td> <td>7/06</td> </tr> <tr> <td>CHECKED <i>E.P.</i></td> <td>7/06</td> </tr> <tr> <td>APPROVED <i>B.R.</i></td> <td>7/06</td> </tr> </tbody> </table>		APPROVALS	DATE	DRAWN <i>J.D.</i>	7/06	CHECKED <i>E.P.</i>	7/06	APPROVED <i>B.R.</i>	7/06	<h1>SPEAKER</h1>	
APPROVALS	DATE										
DRAWN <i>J.D.</i>	7/06										
CHECKED <i>E.P.</i>	7/06										
APPROVED <i>B.R.</i>	7/06										
<table border="1"> <tr> <td>SIZE A</td> <td>DRAWING NO. AS10308PS-R</td> </tr> </table>		SIZE A	DRAWING NO. AS10308PS-R								
SIZE A	DRAWING NO. AS10308PS-R										
DO NOT SCALE DRAWING		SCALE: N.T.S.	SHEET 1 OF 1								