

PCB LAYOUT, COMPONENT SIDE

PART NUMBER CODING

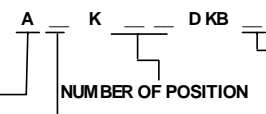
MATERIAL (Insulator/Contact)

CONTACT FINISH

ALL PLATINGS TO HAVE .000050" NICKEL UNDERPLATE

- A = PPS/Beryllium Copper
- Y = .000030" Gold On Contact Surface
- X = .000005" Gold On Termination
- B = .000010" Gold On Contact Surface
- C = .000030" Gold On Contact Surface

█ = Lead Free, RoHS COMPLIANT



NUMBER OF POSITION

- MOUNTING STYLE
- S SIDE MOUNTING HOLES
 - N NO MOUNTING EARS
 - H CLEARANCE HOLES
 - V FLUSH WITH SIDE HOLES, THREADED INSERT
 - D FLUSH WITH MOUNTING HOLES
 - Z FLUSH WITH SIDE MOUNTING HOLES
 - A THREADED INSERT SIDE MOUNTING HOLES
 - I #4-40 THREADED INSERT
 - T FLUSH WITH THREADED INSERT

- NOTES:
1. BODY MATERIAL: POLYPHENYLENE SULFIDE
 2. CONTACT MATERIAL: BERYLLIUM COPPER
 3. CONTACT PLATING: SEE PART NUMBER CODING
 4. UL FLAMMABILITY: 94V-0
 5. INSERTION FORCE: 6 OUNCE MAX PER CONTACT PAIR USING .062" PCB
 6. WITHDRAWL FORCE: 1 OUNCE MIN PER CONTACT PAIR USING .062" PCB
 7. PC BOARD ACCOMMODATED: .054" - .070". SEE PAGE 2 FOR POSITIONING REQUIREMENTS FOR RIGID MOUNT DAUGHTER CARDS.
 8. VOLTAGE RATING: 125 VDC MINIMUM AT SEA LEVEL
 9. CURRENT RATING: 3 AMP
 10. CONTACT RESISTANCE: 30 mV AT RATED CURRENT
 11. INSULATION RESISTANCE: 1000 MEGA OHMS
 12. OPERATING TEMPERATURE: -65°C TO 150°C
 13. CONTACT NORMAL FORCE: 75 GRAMS MINIMUM.

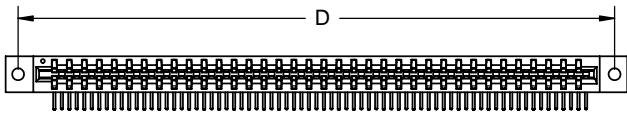
PATENT NO.: 6,790,054 B1

| REV. | ECO. NO | DESCRIPTION | DATE | BY |
|------|---------|--|-----------|-----|
| A | 332 | INITIAL RELEASE | 6/30/2004 | JFW |
| B | 354 | UPDATE PCB LAYOUT, ADDED PAGE 3 & 4, MOUNTING STYLES & POSITIONS | 7/26/2004 | JFW |
| C | 467 | ADDED B & C PLATING, UPDATED SPREAD SHEET ON PAGE 4 | 12/7/2004 | JFW |
| D | 621 | UPDATED FORMAT & DELETE PAGE 4, ADDED PART NUMBER CODING | 5/23/2005 | TT |

CUSTOMER COPY

| | | | | |
|---|--|-------------|----------|----------------------------|
| UNLESS OTHERWISE SPECIFIED: DIMENSIONS ARE IN INCHES [MM] | | DATE | NAME | SULLINS ELECTRONICS |
| TOLERANCES: ANGULAR: ± 1° XX = ± .02 [.508] .XXX = ± .005 [.1270] XXXX = ± .0005 [.0127] PARENTHETICAL INFORMATION IS FOR REFERENCE ONLY | | 6/27/2005 | TT | |
| THE INFORMATION HEREIN CONTAINS PROPRIETARY RIGHTS OF SULLINS ELECTRONICS AND IS NOT TO BE REPRODUCED, USED OR DISCLOSED TO OTHERS FOR ANY PURPOSE EXCEPT AS SPECIFICALLY AUTHORIZED IN WRITING BY SULLINS ELECTRONICS. | | DESCRIPTION | | BI-LEVEL, .078 CC |
| INTERPRET DIMENSIONS AND GEOMETRIC TOLERANCING PER: ANSI Y14.5-1984 | | SIZE | DWG. NO. | PART NO.: A_K_DKB |
| | | C | C10265 | REV D |
| | | SCALE: 1:1 | | SHEET 1 OF 3 |

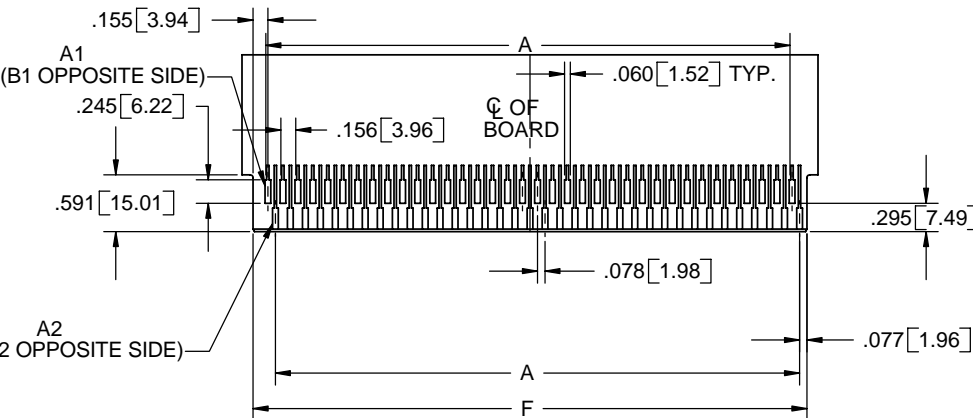
| NO. OF POSITIONS/ CONTACTS | A±.008[.20] | | B±.008[.20] | | C±.015[.38] | | D±.010[.25] | | E±.020[.50] | | F | |
|-------------------------------|-------------|--------|-------------|--------|-------------|--------|-------------|--------|-------------|--------|-------|--------|
| | INCH | MM | INCH | MM | INCH | MM | INCH | MM | INCH | MM | INCH | MM |
| 12/24 | 0.780 | 19.81 | 1.102 | 27.99 | 1.221 | 31.01 | 1.534 | 38.96 | 1.784 | 45.31 | 1.087 | 27.61 |
| 14/28 | 0.936 | 23.77 | 1.258 | 31.95 | 1.377 | 34.98 | 1.690 | 42.93 | 1.940 | 49.28 | 1.243 | 31.57 |
| 16/32 | 1.092 | 27.74 | 1.414 | 35.92 | 1.533 | 38.94 | 1.846 | 46.89 | 2.096 | 53.24 | 1.399 | 35.53 |
| 18/36 | 1.248 | 31.70 | 1.570 | 39.88 | 1.689 | 42.90 | 2.002 | 50.85 | 2.252 | 57.20 | 1.555 | 39.50 |
| 20/40 | 1.404 | 35.66 | 1.726 | 43.84 | 1.845 | 46.86 | 2.158 | 54.81 | 2.408 | 61.16 | 1.711 | 43.46 |
| 22/44 | 1.560 | 39.62 | 1.882 | 47.80 | 2.001 | 50.83 | 2.314 | 58.78 | 2.564 | 65.13 | 1.867 | 47.42 |
| 24/48 | 1.716 | 43.59 | 2.038 | 51.77 | 2.157 | 54.79 | 2.470 | 62.74 | 2.720 | 69.09 | 2.023 | 51.38 |
| 26/52 | 1.872 | 47.55 | 2.194 | 55.73 | 2.313 | 58.75 | 2.626 | 66.70 | 2.876 | 73.05 | 2.179 | 55.35 |
| 28/56 | 2.028 | 51.51 | 2.350 | 59.69 | 2.469 | 62.71 | 2.782 | 70.66 | 3.032 | 77.01 | 2.335 | 59.31 |
| 30/60 | 2.184 | 55.47 | 2.506 | 63.65 | 2.625 | 66.68 | 2.938 | 74.63 | 3.188 | 80.98 | 2.491 | 63.27 |
| 32/64 | 2.340 | 59.44 | 2.662 | 67.61 | 2.781 | 70.64 | 3.094 | 78.59 | 3.344 | 84.94 | 2.647 | 67.23 |
| 34/68 | 2.496 | 63.40 | 2.818 | 71.58 | 2.937 | 74.60 | 3.250 | 82.55 | 3.500 | 88.90 | 2.803 | 71.20 |
| 36/72 | 2.652 | 67.36 | 2.974 | 75.54 | 3.093 | 78.56 | 3.406 | 86.51 | 3.656 | 92.86 | 2.959 | 75.16 |
| 38/76 | 2.808 | 71.32 | 3.130 | 79.50 | 3.249 | 82.52 | 3.562 | 90.47 | 3.812 | 96.82 | 3.115 | 79.12 |
| 40/80 | 2.964 | 75.29 | 3.286 | 83.46 | 3.405 | 86.49 | 3.718 | 94.44 | 3.968 | 100.79 | 3.271 | 83.08 |
| 42/84 | 3.120 | 79.25 | 3.442 | 87.43 | 3.561 | 90.45 | 3.874 | 98.40 | 4.124 | 104.75 | 3.427 | 87.05 |
| 44/88 | 3.276 | 83.21 | 3.598 | 91.39 | 3.717 | 94.41 | 4.030 | 102.36 | 4.280 | 108.71 | 3.583 | 91.01 |
| 46/92 | 3.432 | 87.17 | 3.754 | 95.35 | 3.873 | 98.37 | 4.186 | 106.32 | 4.436 | 112.67 | 3.739 | 94.97 |
| 48/96 | 3.588 | 91.14 | 3.910 | 99.31 | 4.029 | 102.34 | 4.342 | 110.29 | 4.592 | 116.64 | 3.895 | 98.93 |
| 50/100 | 3.744 | 95.10 | 4.066 | 103.28 | 4.185 | 106.30 | 4.498 | 114.25 | 4.748 | 120.60 | 4.051 | 102.90 |
| 52/102 | 3.900 | 99.06 | 4.222 | 107.24 | 4.341 | 110.26 | 4.654 | 118.21 | 4.904 | 124.56 | 4.207 | 106.86 |
| 54/108 | 4.056 | 103.02 | 4.378 | 111.20 | 4.497 | 114.22 | 4.810 | 122.17 | 5.060 | 128.52 | 4.363 | 110.82 |
| 56/112 | 4.212 | 106.98 | 4.534 | 115.16 | 4.653 | 118.19 | 4.966 | 126.14 | 5.216 | 132.49 | 4.519 | 114.78 |
| 58/116 | 4.368 | 110.95 | 4.690 | 119.13 | 4.809 | 122.15 | 5.122 | 130.10 | 5.372 | 136.45 | 4.675 | 118.75 |
| 60/120 | 4.524 | 114.91 | 4.846 | 123.09 | 4.965 | 126.11 | 5.278 | 134.06 | 5.528 | 140.41 | 4.831 | 122.71 |
| 62/124 | 4.680 | 118.87 | 5.002 | 127.05 | 5.121 | 130.07 | 5.434 | 138.02 | 5.684 | 144.37 | 4.987 | 126.67 |
| 64/128 | 4.836 | 122.83 | 5.158 | 131.01 | 5.277 | 134.04 | 5.590 | 141.99 | 5.840 | 148.34 | 5.143 | 130.63 |
| 66/132 | 4.992 | 126.80 | 5.314 | 134.98 | 5.433 | 138.00 | 5.746 | 145.95 | 5.996 | 152.30 | 5.299 | 134.59 |
| 68/136 | 5.148 | 130.76 | 5.470 | 138.94 | 5.589 | 141.96 | 5.902 | 149.91 | 6.152 | 156.26 | 5.455 | 138.56 |
| 70/140 | 5.304 | 134.72 | 5.626 | 142.90 | 5.745 | 145.92 | 6.058 | 153.87 | 6.308 | 160.22 | 5.611 | 142.52 |
| 72/144 | 5.460 | 138.68 | 5.782 | 146.86 | 5.901 | 149.89 | 6.214 | 157.84 | 6.464 | 164.19 | 5.767 | 146.48 |



A_K_DKBH
 Ø.125[3.17] CLEARANCE HOLES



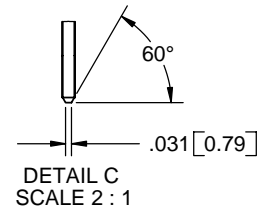
A_K_DKBN
 NO MOUNTING EARS



DAUGHTER CARD LAYOUT

.062±.008 [1.57±0.20]

⊕ .002 (L) (A) (S)
 REQ'D FOR RIGID MOUNT PCB ONLY



DETAIL C
 SCALE 2 : 1

CUSTOMER COPY

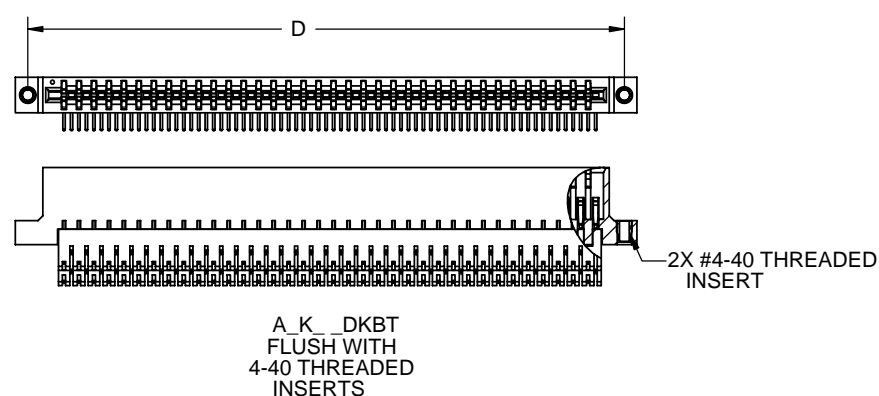
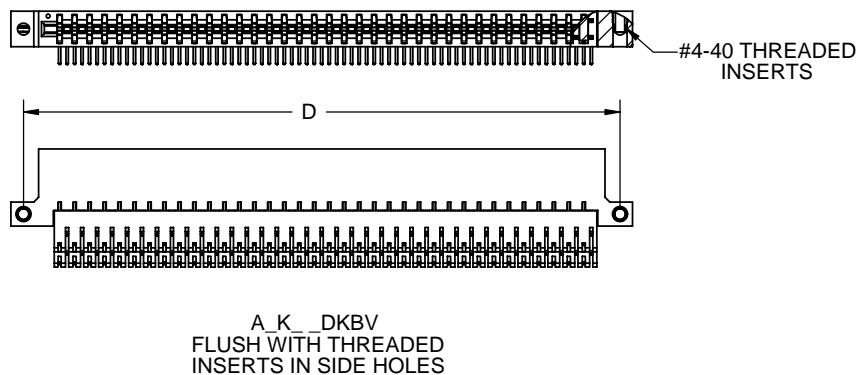
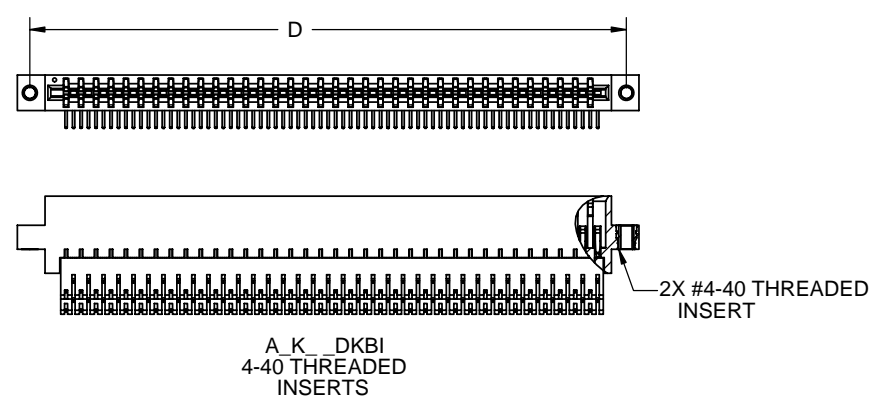
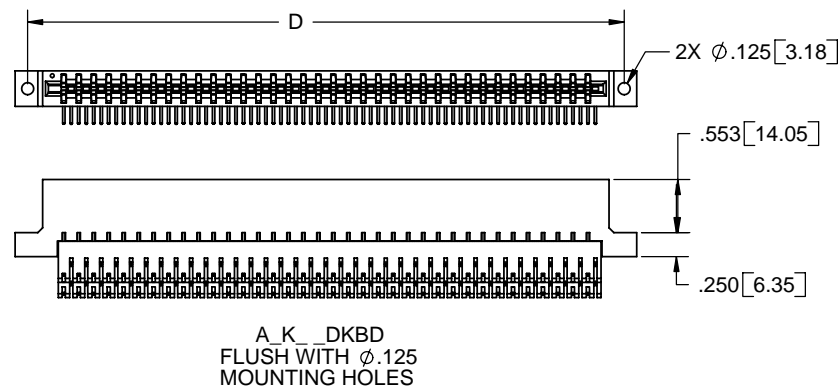
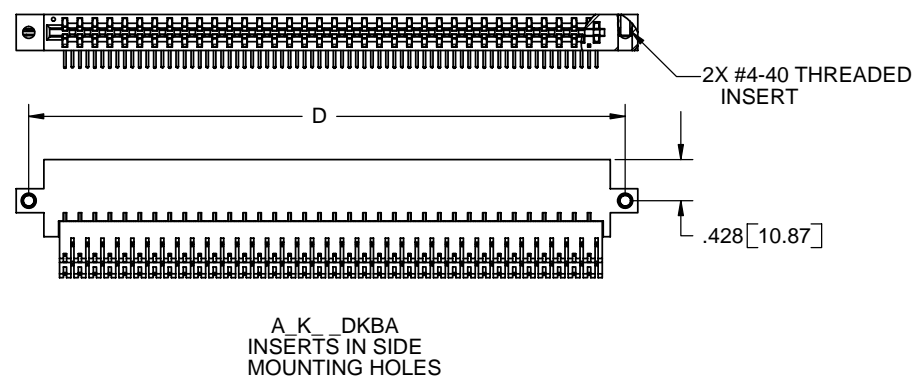
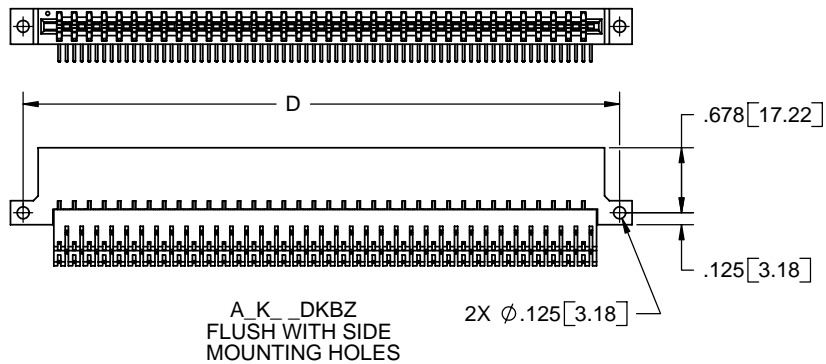
UNLESS OTHERWISE SPECIFIED:
 DIMENSIONS ARE IN INCHES[MM]
 TOLERANCES:
 ANGULAR: ± 1°
 XX = ± .02 [.508]
 .XXX = ± .005 [.1270]
 .XXXX = ± .0005 [.0127]
 PARENTHETICAL INFORMATION IS FOR REFERENCE ONLY

| | | |
|---|-----------|------|
| DRAWN | DATE | NAME |
| JFW | 6/30/2004 | JFW |
| THE INFORMATION HEREIN CONTAINS PROPRIETARY RIGHTS OF SULLINS ELECTRONICS AND IS NOT TO BE REPRODUCED, USED OR DISCLOSED TO OTHERS FOR ANY PURPOSE EXCEPT AS SPECIFICALLY AUTHORIZED IN WRITING BY SULLINS ELECTRONICS. | | |
| SIZE | DWG. NO. | REV |
| C | C10265 | D |

| | |
|---------------------|--------------|
| SULLINS ELECTRONICS | |
| BI-LEVEL, .078 CC | |
| PART NO.: A_K_DKB | |
| SCALE: 1:1 | SHEET 2 OF 3 |

SECTION D-D

PATENT NO.: 6,790,054 B1



CUSTOMER COPY

PATENT NO.: 6,790,054 B1

| | | | |
|--|----------|--|--|
| UNLESS OTHERWISE SPECIFIED: DIMENSIONS ARE IN INCHES[MM] | | DATE | NAME |
| TOLERANCES: ANGULAR: ± 1° XX = ± .02 [.508] .XXX = ± .005 [.1270] XXXX = ± .0005 [.0127] PARENTHEetical INFORMATION IS FOR REFERENCE ONLY | | 6/30/2004 | JFW |
| INTERPRET DIMENSIONS AND GEOMETRIC TOLERANCING PER: ANSI Y14.5-1984 | | THE INFORMATION HEREIN CONTAINS PROPRIETARY RIGHTS OF SULLINS ELECTRONICS AND IS NOT TO BE REPRODUCED, USED OR DISCLOSED TO OTHERS FOR ANY PURPOSE EXCEPT AS SPECIFICALLY AUTHORISED IN WRITING BY SULLINS ELECTRONICS. | |
| | | DESCRIPTION | <p>SULLINS ELECTRONICS</p> <p>BI-LEVEL, .078 CC</p> |
| SIZE | DWG. NO. | PART NO.: A_K_DKB | |
| C | C10265 | REV | D |
| SCALE: 1:1 | | SHEET 3 OF 3 | |