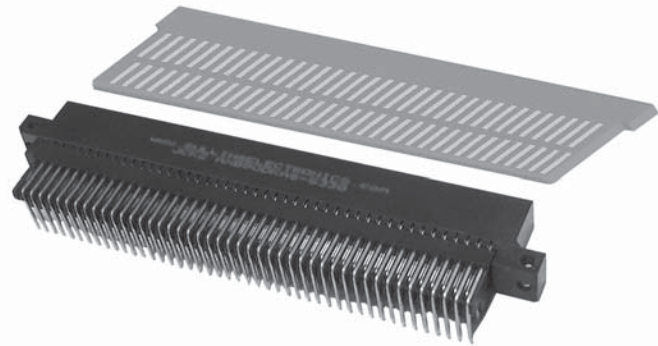




Bi-Level, .050" [1.27mm] / .100" [2.54] Contact Centers High Density, Right Angle

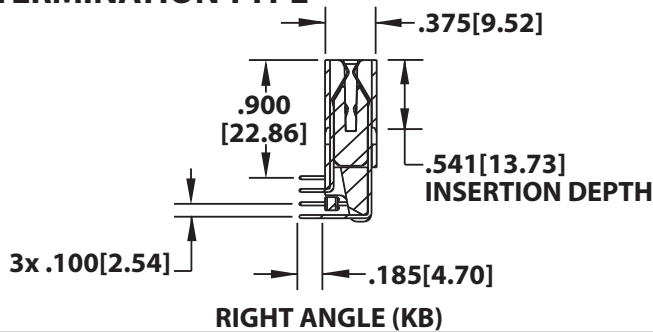
SPECIFICATIONS

- .050" Contact Center Spacing can replace .100" CC parts to double the number of contacts within the same area
- Backwards Compatible with Daughter Card Side
- Accommodates .062" ± .008" [1.57 ± .20] PC board
- Contact Material: Beryllium Copper or Phosphor Bronze
- Body Material: PPS/PA9T
- UL Flammability: 94V-0
- 3 amp current rating per contact
- 75 grams minimum contact normal force
- Voltage Rating: 125 VDC Minimum at sea level
- Consult Factory for PC board layouts/technical drawings



Sullins Edgecards

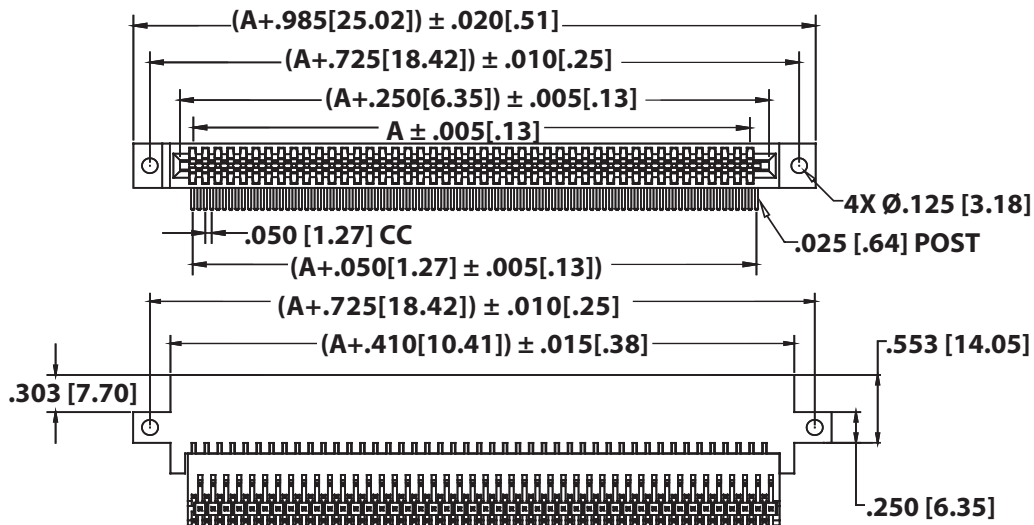
TERMINATION TYPE



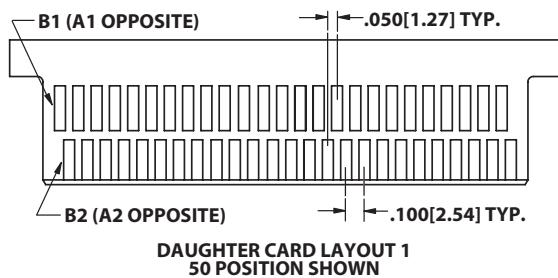
- HIGH DENSITY**
- HIGH TEMPERATURE**
- HIGH CYCLE**
- HIGH RELIABILITY**

DIMENSIONS

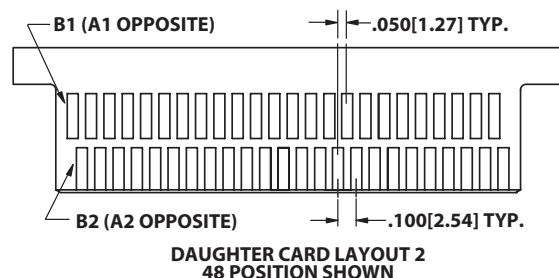
Dimensions in [] are in millimeters, all others are in inches.



DAUGHTER CARD LAYOUT (1)



DAUGHTER CARD LAYOUT (2)





Sullins Edgecards

PART NUMBER CODING

A C B 10 D KB S - S1075

MATERIALS (INSULATOR/CONTACT)

- G = PA9T/Phosphor Bronze
Operating Temperature: 125°C
- R = PPS and PA9T/Phosphor Bronze
Operating Temperature: 125°C
- J = PA9T/Beryllium Copper
Operating Temperature: 150°C
- A = PPS and PA9T/Beryllium Copper
Operating Temperature: 150°C

CONTACT FINISH - RoHS Compliant

All platings are Lead Free and have .000050" Nickel underplate
Contact Surface Termination

- B = .000010" Gold .000100" Pure Tin, Matte
- C = .000030" Gold .000100" Pure Tin, Matte
- Y = .000030" Gold .000005" Gold

CONTACT CENTERS

- B = .050" [1.27mm]

OMIT FOR STANDARD
S - S1075 = Staggered Ears with Side Mounting Holes
A - S1076 = Staggered Ears with #4-40 Threaded Inserts

Positions	Dimension A (see opposite page)			Daughter Card Layout
	No. of Contacts	Inches	[MM]	
06	12	0.200	5.08	1
08	16	0.300	7.62	2
10	20	0.400	10.16	1
12	24	0.500	12.70	2
14	28	0.600	15.24	1
16	32	0.700	17.78	2
18	36	0.800	20.32	1
20	40	0.900	22.86	2
22	44	1.000	25.40	1
24	48	1.100	27.94	2
26	52	1.200	30.48	1
28	56	1.300	33.02	2
30	60	1.400	35.56	1
32	64	1.500	38.10	2
34	68	1.600	40.64	1
36	72	1.700	43.18	2
38	76	1.800	45.72	1
40	80	1.900	48.26	2
42	84	2.000	50.80	1
44	88	2.100	53.34	2
46	92	2.200	55.88	1
48	96	2.300	58.42	2
50	100	2.400	60.96	1
52	104	2.500	63.50	2
54	108	2.600	66.04	1
56	112	2.700	68.58	2
58	116	2.800	71.12	1
60	120	2.900	73.66	2
62	124	3.000	76.20	1
64	128	3.100	78.74	2
66	132	3.200	81.28	1
68	136	3.300	83.82	2
70	140	3.400	86.36	1
72	144	3.500	88.90	2
74	148	3.600	91.44	1
76	152	3.700	93.98	2
78	156	3.800	96.52	1
80	160	3.900	99.06	2
82	164	4.000	101.60	1
84	168	4.100	104.14	2
86	172	4.200	106.68	1
88	176	4.300	109.22	2
90	180	4.400	111.76	1

MOUNTING STYLE		
H	MOUNTING HOLES	
S	SIDE MOUNTING HOLES	
I	#4-40 THREADED INSERTS	
A	#4-40 THREADED INSERTS IN SIDE HOLES	
Z	FLUSH EARS WITH SIDE MOUNTING HOLES	
D	FLUSH EARS WITH Ø.125 HOLES	
T	FLUSH EARS WITH #4-40 THREADED INSERTS	
V	FLUSH EARS WITH #4-40 THREADED INSERTS IN SIDE HOLES	
N	NO MOUNTING EARS	

MODIFICATION CODE
(CONSULT FACTORY)

STAGGERED EARS WITH SIDE MOUNTING HOLES (S-S1075)

STAGGERED EARS WITH #4-40 THREADED INSERTS (A-S1076)