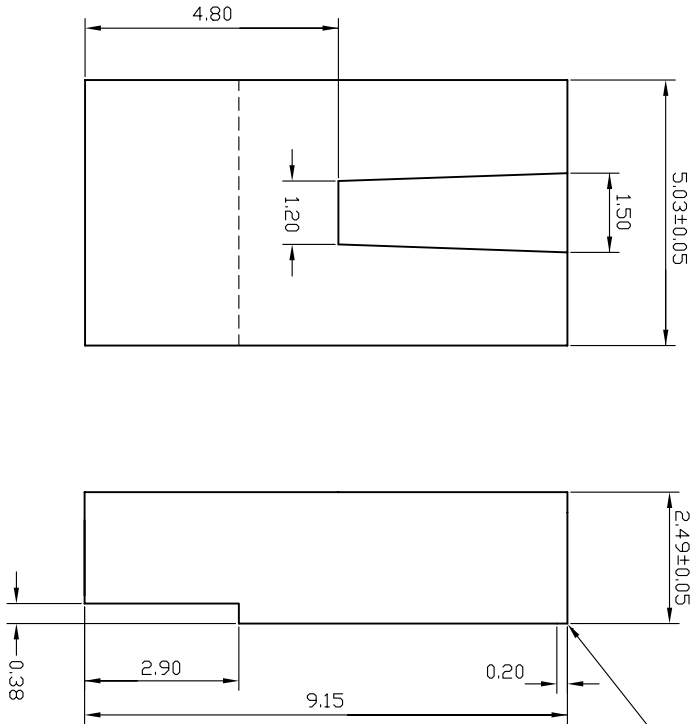
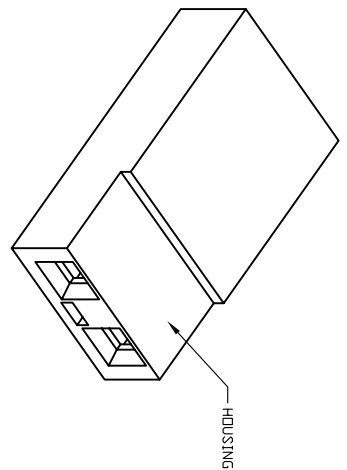


PART NO	PLATING
90518-102 (5)	0.38um/15u" AU CONTACT. AU FLASH ALL OVER 1.27um/50u" NI
90518-202 (5)	0.76um/30u" AU CONTACT. AU FLASH ALL OVER 1.27um/50u" NI
90518-302	2.54um/100u" TIN/LEAD PLATING
90518-102LF (5)	0.38um/15u" AU CONTACT. AU FLASH ALL OVER 1.27um/50u" NI
90518-202LF (5)	0.76um/30u" AU CONTACT. AU FLASH ALL OVER 1.27um/50u" NI



GATE BREAK OFF



MATERIAL:

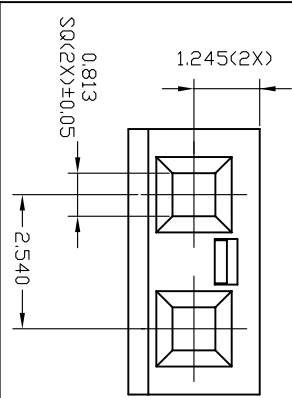
- HOUSING: 30% GLASS FILLED POLYESTER, FLAME RETARDANT PER UL 94-V0  
COLOR: BLUE
- TERMINAL: PHOSPHOR BRONZE  
PLATING: REFER TO CHART
- 90518-102 AND 90518-202 ARE THE SAME AS 90518-102LF AND 90518-202LF RESPECTIVELY. THE SUFFIX "LF" IS ADDED FOR EASY LEAD-FREE IDENTIFICATION.
- THE HOUSING WILL WITHSTAND EXPOSURE TO 200°C PEAK TEMPERATURE FOR 10 SECONDS IN A CONVECTION, INFRA-RED OR VAPOR PHASE REFLOW OVEN.

(5) THIS PRODUCT MEETS EUROPEAN UNION DIRECTIVES AND OTHER COUNTRY REGULATIONS AS DESCRIBED IN GS-22-008.

CONFIDENTIAL

**FCI**  
www.fciconnect.com

product family JUMPER code  
size dwg no 90518 sheet 1 of 1



matl code		tolerances unless otherwise specified		CUSTOMER COPY		title	
ltr	ecn no	dr	date	linear	projection	scale	code
A	S10079	MLC	03/22/91	.XX ±.25	1:1	1:1	A
B	S04-0218	KBM	10/18/04	.XXX ±.10			
C	S06-0061	KHL	02/24/06	0 ±.3			
sheet index		revision		product family		code	
1	2	C	1	JUMPER	90518	1	1

ACCAT

code 22526