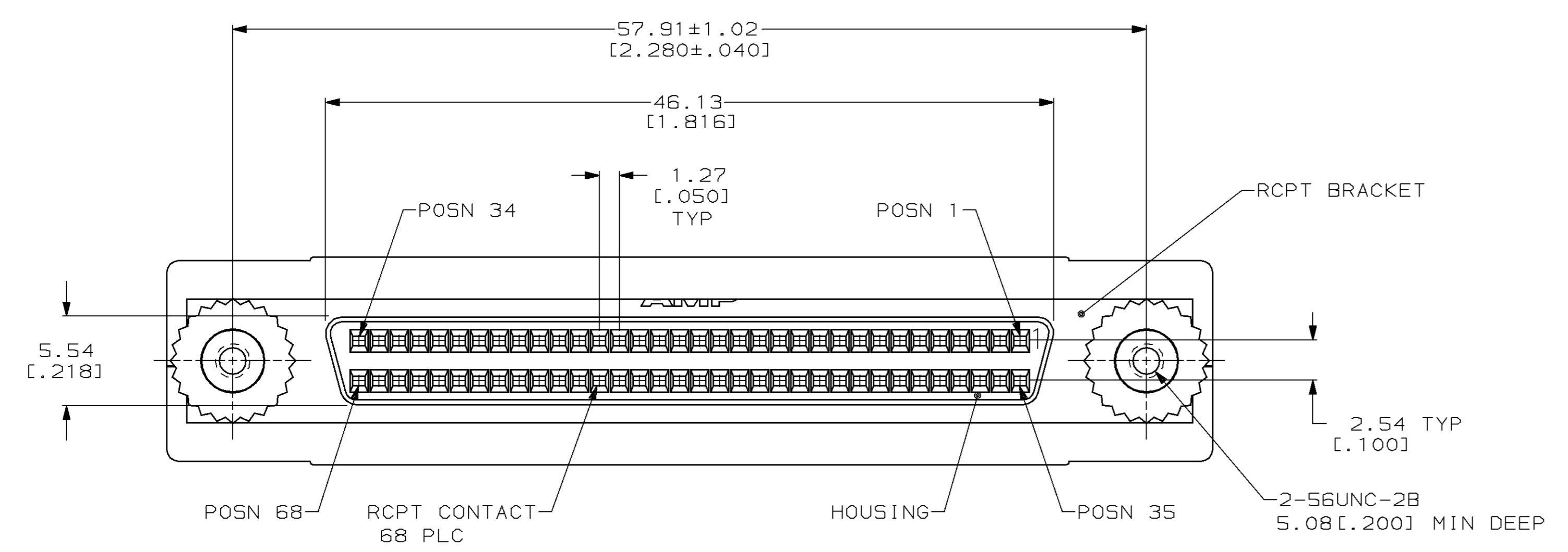
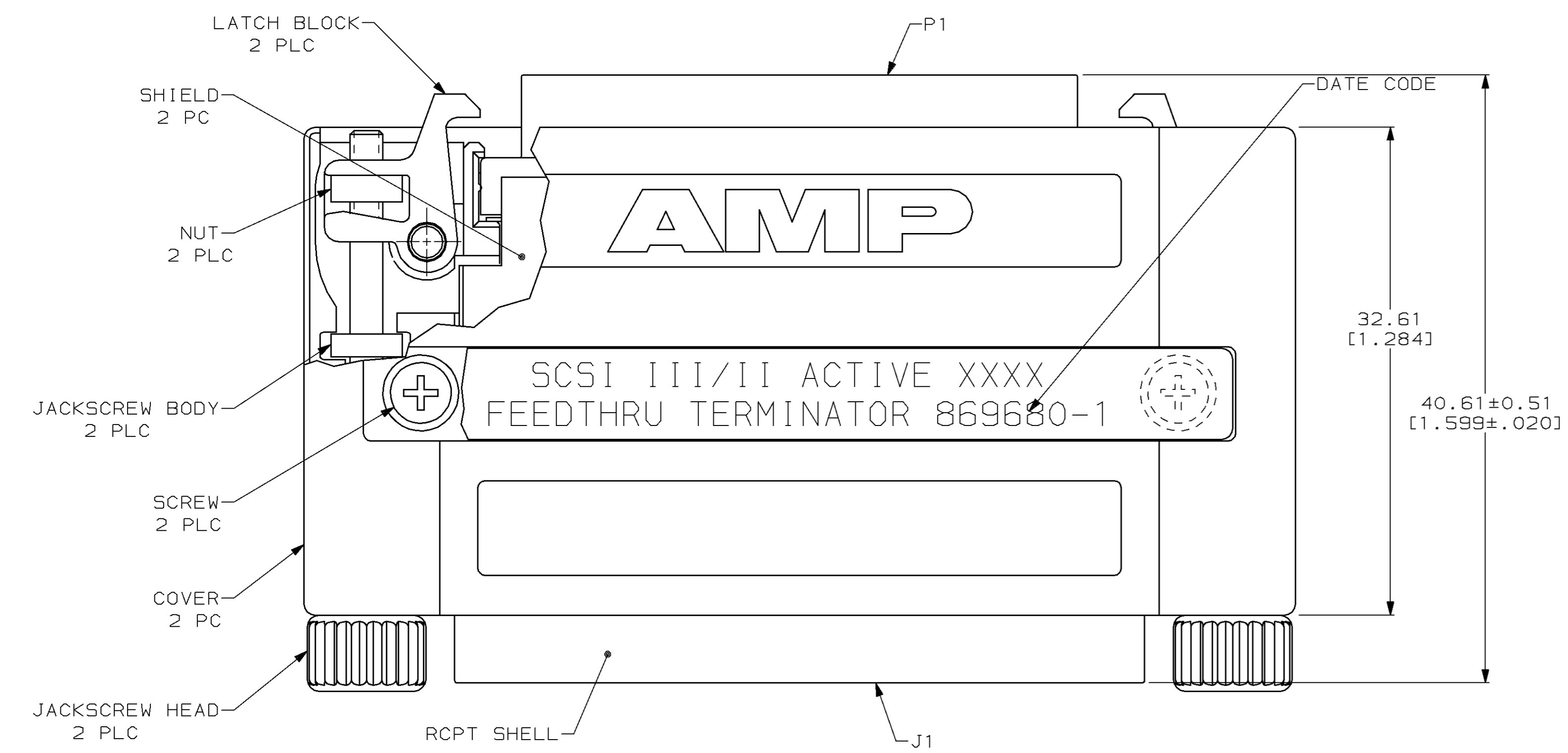
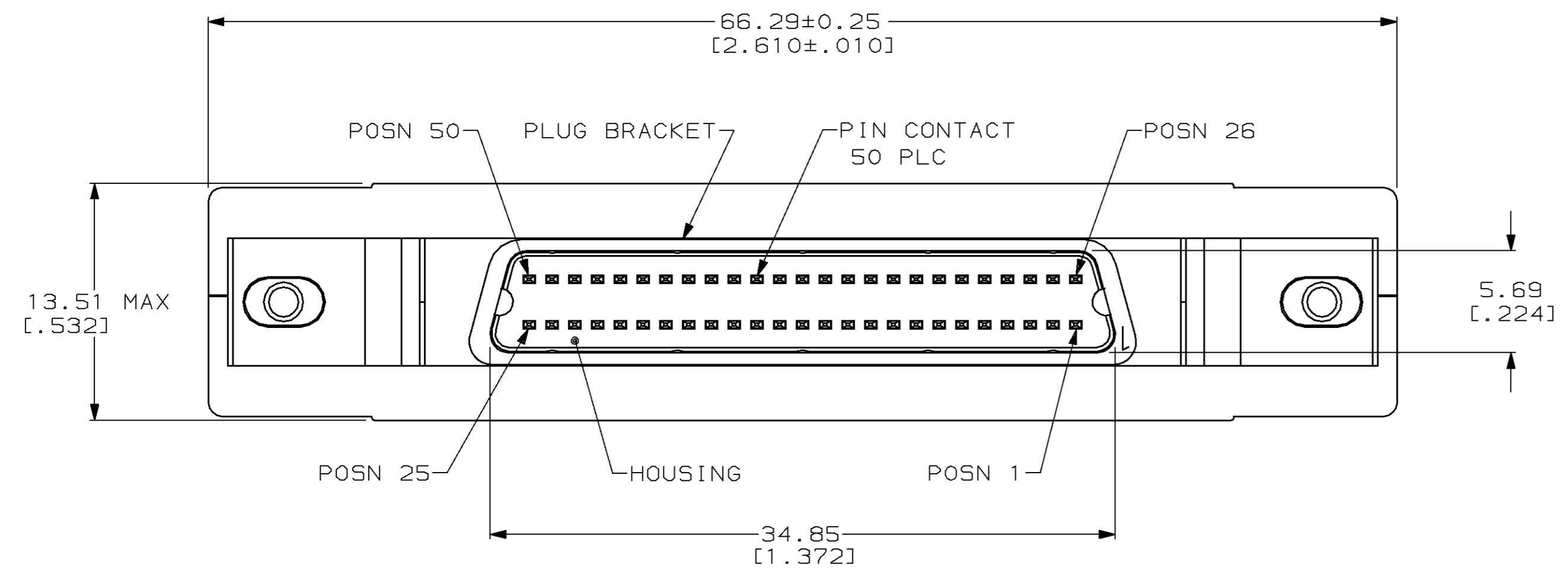
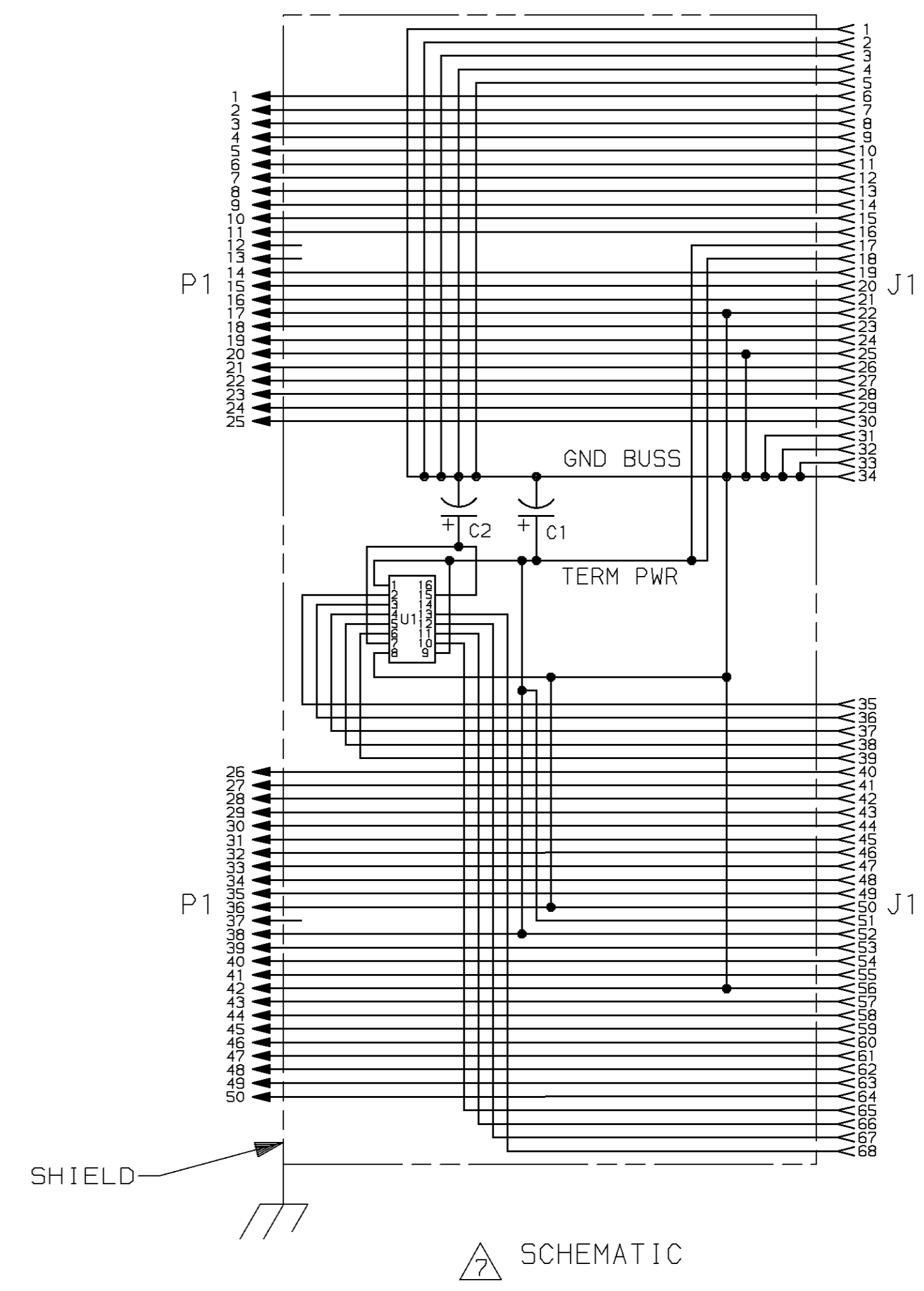


LOC		DIST		P		F		ZONE		LTR		REVISIONS			
BD	62											DESCRIPTION	DATE	APPD	
												0	RLSE NPR 4527, WAS 92-4163-063-01	1-93	WDF
												A	REV PER EC 0020-544-93	05/20/94	WDF
												B	REV PER EC 0020-1576-93	03/08/94	WDF
												C	REV PER EC 0020-1598-93	03/08/94	PR
												D	REV PER EC 0020-0028-94	03/08/94	PR
												E	REV PER EC 0020-755-94	07/19/94	WDF
												F	REV PER EC 0020-1134-94	09/22/94	RF
												G	REV PER EC 0020-683-95	06/30/95	RWD



- 1 JACKSCREW BODIES AND NUTS: STAINLESS STEEL; SHELL AND SCREWS: CARBON STEEL; CONTACTS: PHOSPHOR BRONZE; HOUSINGS: POLYESTER, BLACK; SHIELD: COPPER; COVER: ABS, GREY, UL 94V-0; JACKSCREW HEADS: PVC, BEIGE; BRACKETS AND LATCH BLOCKS: ZINC; FLEX FILM CIRCUIT: COPPER ON KAPTON.
- 2 PASSIVATED.
- 3 $5.08 \mu\text{m}$ [0.000200] MIN TIN OR TIN-LEAD OVER $1.27 \mu\text{m}$ [0.000050] MIN COPPER.
- 4 PIN CONTACTS: $0.76 \mu\text{m}$ [0.000030] MIN GOLD FOR A LENGTH OF 3.35 [0.132] MIN FROM MATING END OVER $1.27 \mu\text{m}$ [0.000050] MIN NICKEL; RECEPTACLE CONTACTS: $0.76 \mu\text{m}$ [0.000030] MIN GOLD FOR A LENGTH OF 0.64 [0.025] MIN, 0.13 [0.005] MAX FROM MATING END OVER $1.27 \mu\text{m}$ [0.000050] MIN NICKEL.
- 5 $76.20 \mu\text{m}$ [0.003000] MIN CARBONITRIDE TEMPER.
- 6 $3.81 \mu\text{m}$ [0.000150] MIN NICKEL OVER $5.08 \mu\text{m}$ [0.000200] MIN COPPER.
- 7 C2: $4.7 \mu\text{F}$ TANTALUM CAPACITOR RATED 15 VOLTS MIN; C1: $2.2 \mu\text{F}$ TANTALUM CAPACITOR RATED 15 VOLTS MIN; CAPACITOR TOLERANCE: $\pm 20\%$; U1: DS2107AS.



DO NOT SCALE PRINT. UNLESS SPECIFIED DIMENSIONS IN mm [INCHES] TOLERANCES ON:		DR 1-11-93 J McCLINTON	869680-1 PART NO	
2 PLC DEC \pm -	3 PLC DEC \pm 0.13 [0.005]	CHK 2-10-93 R. STONE	AMP Incorporated Harrisburg, PA 17105-3608	
ANGLES \pm -		APPD 2-15-93 W.D. FLESHMAN	NAME ADAPTER ASSEMBLY, FEEDTHRU, ACTIVE, SCSI III/II, .050 SERIES AMPLIMITE™, TERMINATOR	
MATERIAL		APPD 2-15-93 W.D. FLESHMAN	PRODUCT SPEC -	
FINISH		APPLICATION SPEC -	SIZE D	CAGE CODE 00779
SHELL: 1	CONTACTS: 4		DRAWING NO C-869680	
SCREWS: 5	BRACKETS: 6		SCALE 4:1	SHEET 1 OF 1
JACKSCREW BODIES & NUTS: 7		WEIGHT -	CUSTOMER DRAWING	

THIS DRAWING IS A CONTROLLED DOCUMENT FOR AMP INCORPORATED. IT IS SUBJECT TO CHANGE AND THE CONTROLLING ENGINEERING ORGANIZATION SHOULD BE CONTACTED FOR THE LATEST REVISION.