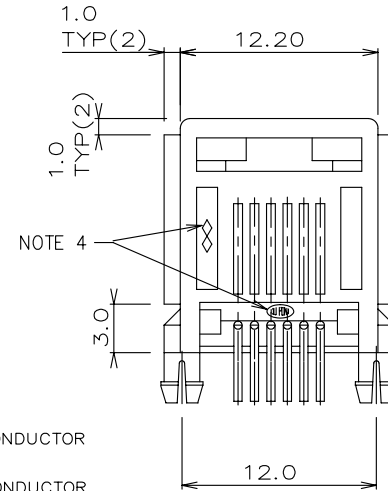
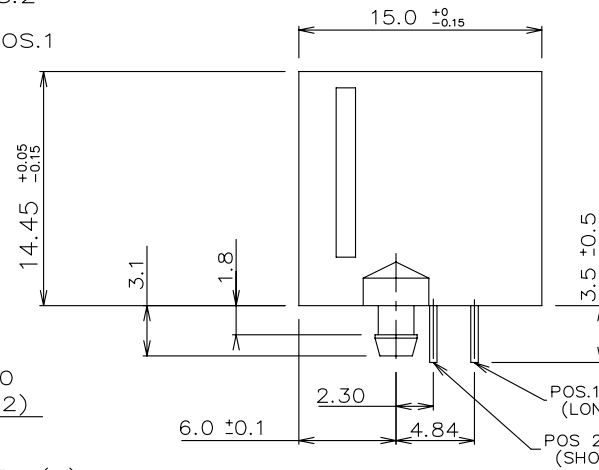
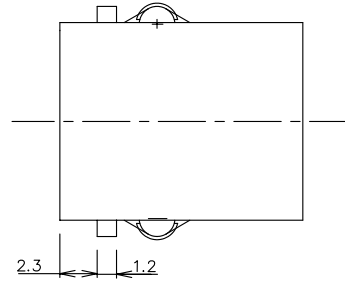
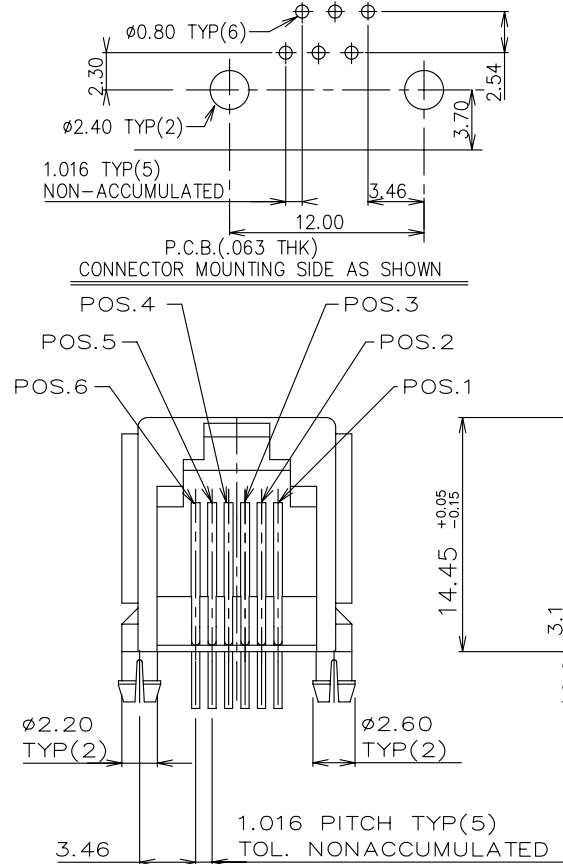


Tous droits strictement réservés. Reproduction ou communication à des tiers sans autorisation écrite du propriétaire.

All rights strictly reserved. Reproduction or issue to third parties in any form whatsoever is not permitted without written authority from the proprietor.

PRODUCT NO	CONDUCTOR TYP OF POS	CONDUCTOR ASS'Y POS NO	CONTACT PLATING	HOUS'G COLOR
86285-002	6/4	2,3,4,5	30u" GXT	BLACK
86285-002LF				
86285-005	6/6	1,2,3,4,5,6	30u" GXT	GRAY
86285-005LF				
86285-006				
86285-006LF	6/6	1,2,3,4,5,6	30u" GXT	BLACK

LEAD FREE PRODUCT NO.



NOTE:

- FOR VISUAL, MECHANICAL AND FUNCTIONAL REQUIREMENTS SEE PRODUCT SPEC. 110-042.
- HOUSING MAT'L: GLASS REINFORCED 66 NYLON ZYTEL-50, UL-94V-0.
- GOLD WIRE MAT'L: PHOS. BRONZE 0.46 DIA. PLATING: SEE TABLE PLATING OVER 100u" NICKEL.
- A. STANDARD PACKAGING METHOD(USE TRAY): SEE GES-14-351.  
B. NON-STANDARD PACKAGING METHOD(USE TUBE): SEE GES-14-358.  
THE PART NO. SHOULD BE SUFFIXED WITH "T" OR "TLF"  
E.G.86285-001T OR 86285-001TLF.
- MATABLE PLUG: PLUG CONFORMED TO FCC TYPE 623.
- IF LF P/N THE PRODUCT MEETS EUROPEAN UNION DIRECTIVES AND OTHER COUNTRY REGULATIONS AS DESCRIBED IN GS-22-008.
- THE HOUSING WILL WITHSTAND EXPOSURE TO 260°C PEAK TEMPERATURE FOR 10 SECONDS IN A WAVE SOLDER APPLICATION WITH A 1.60mm MINIMUM THICK CIRCUIT BOARD.
- IF LF P/N PACKAGING MEETS GS-14-920 SPECIFICATION.

mat'l code				tolerance unless otherwise specified		CUSTOMER COPY	 www.fciconnect.com			
rev.	ecn no.	dr	date	linear	.0 ± 0.25	projection	title LOW PROFILE 6 POS. PCB MOD JACK product family size dwg no. 86285 code TWN sheet 1 OF 1			
D	T60025	CL	01/12/96		.00 ± 0.13					
E	T03-0443	WL	10/06/03	angles	.000 ± 0.05					
F	N05-0018	YS	01/25/05		± 2°					
				dr	KCHOU	03/27/92	unit	product family		code
				enr	TONY CHIEN	03/27/92	mm/inch	size dwg no.		TWN
				chr	TONY CHIEN	03/27/92	scale	A3 86285		sheet
				appd	JENN TSAO	03/27/92	3/1			1 OF 1
sheet	revision	F								
index	sheet	1								