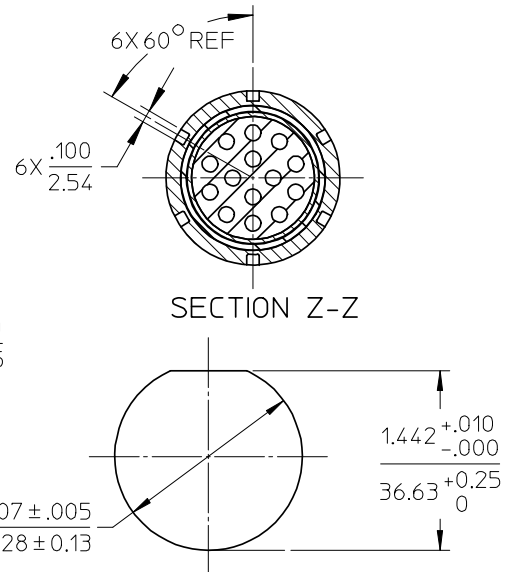
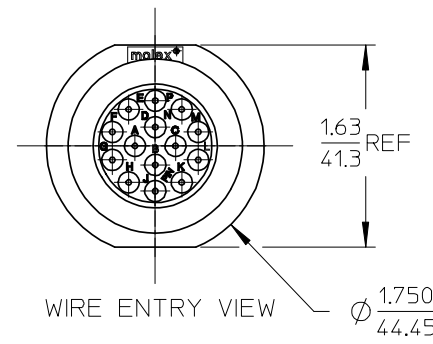
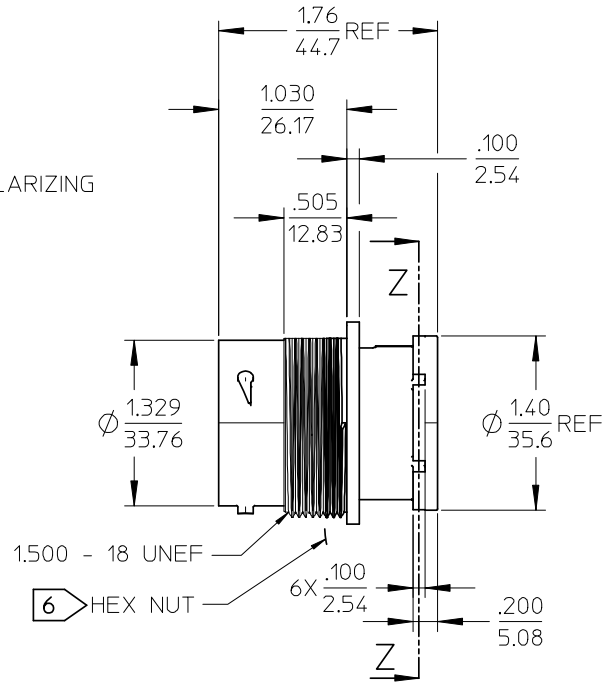
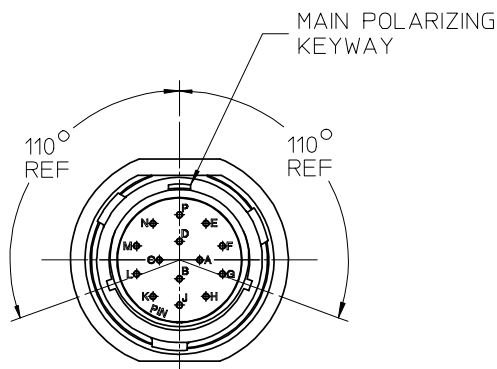
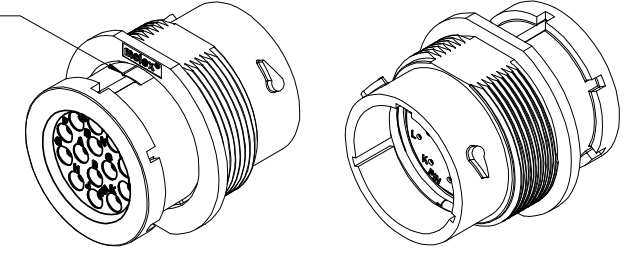


MATERIAL NUMBER	WIRE AWG	INSUL DIA O.D.
845020008	18-14	.053(1.35) - .120(3.05)

ⓑ

LARGE POLARIZING KEY INDICATOR



NOTES:
 1. MATERIALS: HOUSINGS: POLYESTER (PBT), GLASS FILLED, UL94V-0 & POLYETHERIMIDE (PEI), UNFILLED, UL94V-0. COLOR, UNLESS OTHERWISE SPECIFIED: BLACK
 SEALS: SILICONE RUBBER
 COLOR: RUST RED

- 2. PRODUCT SPECIFICATION: PS-84501-001.
- 3. MATES WITH: SERIES 84507 PLUG CONNECTOR.
- 4. USE CONNECTOR WITH MALE CRIMP TERMINAL SERIES 84590.
- 5. ALL COMPONENTS ARE ROHS COMPLIANT.
- 6. HEX NUT SOLD SEPARATELY, OPTIONAL FOR PANEL MOUNTING MOLEX MATERIAL NUMBER 845020004.
- 7. RECOMMENDED PANEL THICKNESS .062/1.58 TO .187/4.76

UPDATE NOTES & TABLE		QUALITY SYMBOLS
EC NO: WNA2008-0139	2008/02/27	▽=0
DRM:WHLUNG	2008/04/21	▽=0
CHKD:RDEROSS	2008/04/24	
APPR:RDEROSS		
REV	DESCRIPTION	
B		

GENERAL TOLERANCES (UNLESS SPECIFIED)	
4 PLACES ± ---	± ---
3 PLACES ± ---	± .015
2 PLACES ± 0.38	± ---
1 PLACE ± ---	± ---
ANGULAR ± ---°	
DRAFT WHERE APPLICABLE MUST REMAIN WITHIN DIMENSIONS	

DIMENSION STYLE	
IN/MM	
DRAWN BY	DATE
BRUPERT	2006/2/8
CHECKED BY	DATE
JPAWLICKI	2006/2/8
APPROVED BY	DATE
RDEROSS	2006/2/8
MATERIAL NO.	
SEE CHART	
SIZE	
B	

SCALE	DESIGN UNITS	THIRD ANGLE PROJECTION
1:1	INCH	
TITLE		
RECPT. CONNECTOR ASSEMBLY, 18-14 POS PIN TERMINALS		
MOLLEX MOLEX INCORPORATED		
DOCUMENT NO.	SHEET NO.	
SD-84502-002	1 OF 1	