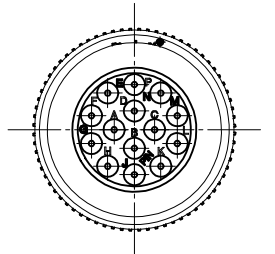
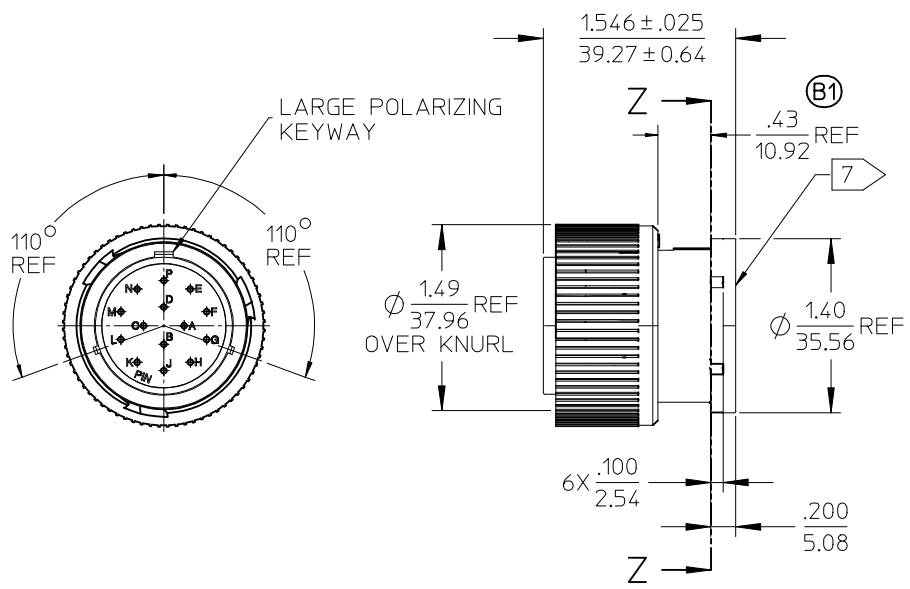
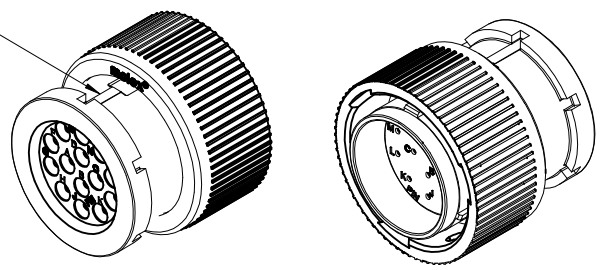
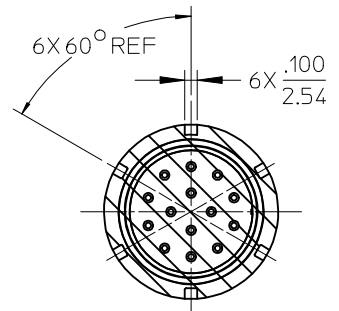


MATERIAL NUMBER	WIRE AWG	INSUL DIA O.D.
845010001	18-14	.053(1.35) - .120(3.05)

LARGE POLARIZING KEY INDICATOR



WIRE ENTRY VIEW



SECTION Z-Z

- NOTES:
1. MATERIALS: HOUSINGS: POLYESTER (PBT), GLASS FILLED, UL94V-0 & POLYETHERIMIDE (PEI), UNFILLED, UL94V-0. COLOR, UNLESS OTHERWISE SPECIFIED: BLACK
SEALS: SILICONE RUBBER
COLOR: RUST RED
 2. PRODUCT SPECIFICATION: PS-84501-001.
 3. MATES WITH: SERIES 84508 RECEPTACLE CONNECTOR.
 4. USE CONNECTOR WITH MALE CRIMP TERMINAL SERIES 84590.
 5. ALL COMPONENTS ARE ROHS COMPLIANT.

UPDATED DIMENSION EC NO: WNA2009-0131 DRAWING NO: 2008/09/24 CHKD:RDEROSS 2008/10/13 APPR:RDEROSS 2008/10/14 B1	QUALITY SYMBOLS ▽=0 ▽=0	GENERAL TOLERANCES (UNLESS SPECIFIED) mm INCH 4 PLACES ± --- ± --- 3 PLACES ± --- ± .015 2 PLACES ± 0.38 ± --- 1 PLACE ± --- ± --- ANGULAR ± ---°	DIMENSION STYLE IN/MM DRAWN BY: DMYRICK DATE: 2006/2/8 CHECKED BY: JPAWLICKI DATE: 2006/2/8 APPROVED BY: RDEROSS DATE: 2006/2/8	SCALE 1:1 DESIGN UNITS INCH THIRD ANGLE PROJECTION	TITLE PLUG CONNECTOR ASSEMBLY, 18-14 POS PIN TERMINALS MOLEX INCORPORATED DOCUMENT NO. SD-84501-001 SHEET NO. 1 OF 1
	DRAFT WHERE APPLICABLE MUST REMAIN WITHIN DIMENSIONS		MATERIAL NO. SEE CHART SIZE B	THIS DRAWING CONTAINS INFORMATION THAT IS PROPRIETARY TO MOLEX INCORPORATED AND SHOULD NOT BE USED WITHOUT WRITTEN PERMISSION	