

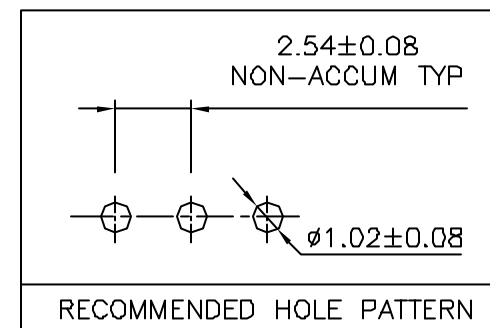
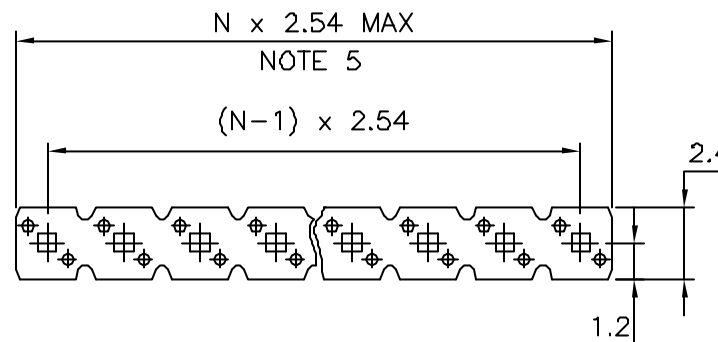
PRODUCT NUMBER

77311-YXX-XXLF

PLATING SEE SHEET 2

PIN STYLE SEE SHEET 2

WHEN REQUIRED, ADD SUFFIX LETTER "LF"
INDICATES THE PRODUCT IS RoHS
COMPATIBLE, SEE NOTE 6
TOTAL NB OF POSITIONS 01 TO 36
OPTION LETTER SEE NOTE 7



PRODUCT NUMBER (BERGSTRIK PACKAGING)

77311-YXX-OOLF

PLATING

1= 0.76µm GOLD/GXT ON CONTACT
AREA, 2µm TIN MIN ON TAILS

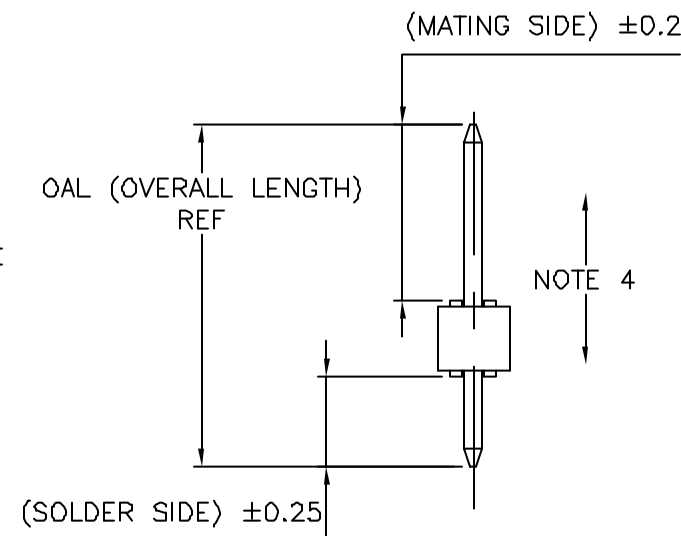
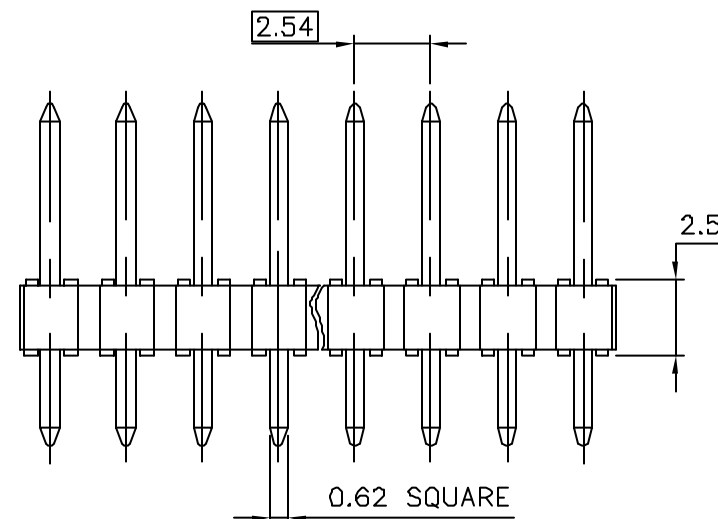
8= 0.38µm GOLD/GXT ON CONTACT
AREA, 2µm TIN MIN ON TAILS

4= 2.0µm TIN MIN FULL PLATED

1.27µm NICKEL MIN UNDERLAYER FOR
ALL PLATING VERSIONS

INDICATES THE PRODUCT IS RoHS
COMPATIBLE, SEE NOTE 6
POSITIONS PER REEL : 00=36,000 (BERGSTRIK)

| PIN STYLE | MATING | SOLDER | OAL |
|-----------|--------|--------|-------|
| 01 | 5.84 | 2.41 | 10.8 |
| 02 | 5.84 | 3.42 | 11.8 |
| 18 | 5.84 | 3.05 | 11.43 |
| 22 | 7.75 | 3.05 | 13.35 |
| 24 | 6.75 | 2.9 | 12.2 |
| 27 | 6.6 | 2.66 | 11.8 |



NOTES:

- HOUSING MAT'L : HIGH TEMPERATURE THERMOPLASTIC. UL94V-0 COLOR: BLACK
- PIN MATERIAL : PHOSPHOR BRONZE
- BERGSTRIK PRODUCT PACKAGED IN POLY BAGS. BERGSTRIK PRODUCT PACKAGED PER REELS.
- 9N MIN RETENTION IN EITHER DIRECTION
- TO DETERMINE DIMENSIONS :
N = NUMBER OF POSITIONS PER ROW
EXAMPLE : 8 POS N x 2.54 = 20.32mm
- RoHS COMPATIBLE PRODUCT SPECIFICATIONS

a - PLATING:

- "LF" MEANS THE PRODUCT IS LEAD-FREE. 2µm MINIMUM MATTE TIN OVER 1.27µm MINIMUM NICKEL UNDERPLATE.

b - MANUFACTURING PROCESS COMPATIBILITY

- THE HOUSING WILL WITHSTAND EXPOSURE TO 260°C ±5°C SOLDER BATH TEMPERATURE FOR 5 SECONDS IN A WAVE SOLDER APPLICATION WITH A 1.6mm MIN THICK CIRCUIT BOARD.

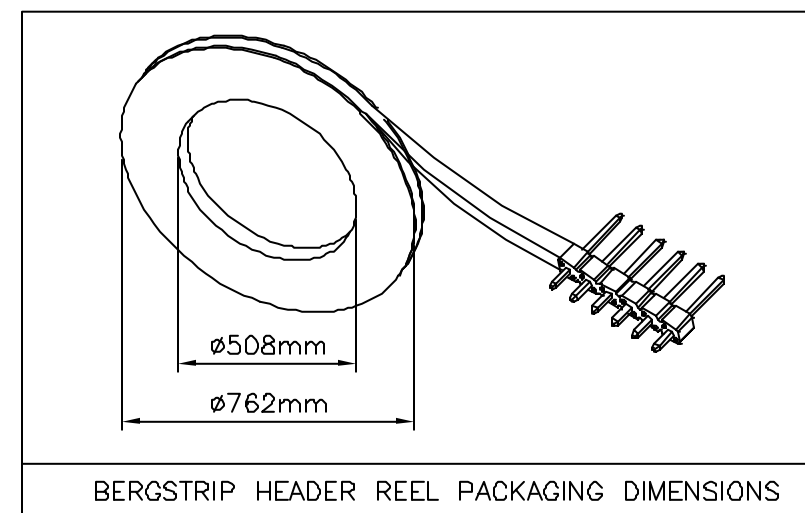
c - LABELING:

- MEETS PACKAGING SPECS AS PER GS-14-920

d - LEGAL STATEMENT: SEE GS-22-008

7. OPTION LETTER :

R = RETENTION FEATURES, SEE SHEET 2
K = TAPE & REEL PACKAGING, WITHOUT PICK UP CAP
ONLY FOR P/N 77311-462K04(LF) AND 77311-462K05(LF)



BERGSTRIK HEADER REEL PACKAGING DIMENSIONS

| | | | | | | | | | |
|-------------|----------|------------|----------|---------------------------------------|--------|------------|--|------------------|--|
| mat'l. code | | surface | | tolerance | | projection | | product family | |
| SEE NOTES | | ISO 1302 ✓ | | ISO 406 ISO 1101 | | mm | | BERGSTIK | |
| ltr | ecn no | dr | date | tolerances unless otherwise specified | | mm | | title | |
| BG | F08-0148 | RTR | 08.03.31 | angles | Linear | mm | | UNSHR.HEADER | |
| BH | F08-0250 | LMU | 08.12.16 | | | scale 5:1 | | STR SR TMT | |
| | | | | | | | | dwg no | |
| BC | F07-0114 | LMU | 07.01.24 | dr | D.LE | 01.01.24 | | sheet 1 of 2 | |
| BD | F07-0125 | LMU | 07.02.05 | enfr | JM.C | 01.01.24 | | size | |
| BE | F07-0155 | J.CO | 07.03.15 | chr | JM.C | 01.01.24 | | A3 | |
| BF | F07-0255 | LMU | 07.09.11 | appd | JF.N | 01.01.24 | | type | |
| sheet index | revision | BH | BA | | | | | CUSTOMER Drawing | |
| | sheet | 1 | 2 | | | | | | |



FCIconnect.com

Copyright FCI

| CORE RANGE | | | | |
|------------|-----------|--------|--------|-------|
| PLATING | PIN STYLE | MATING | SOLDER | OAL |
| 1 | 01 | 5.84 | 2.41 | 10.8 |
| 1 | 18 | 5.84 | 3.05 | 11.43 |

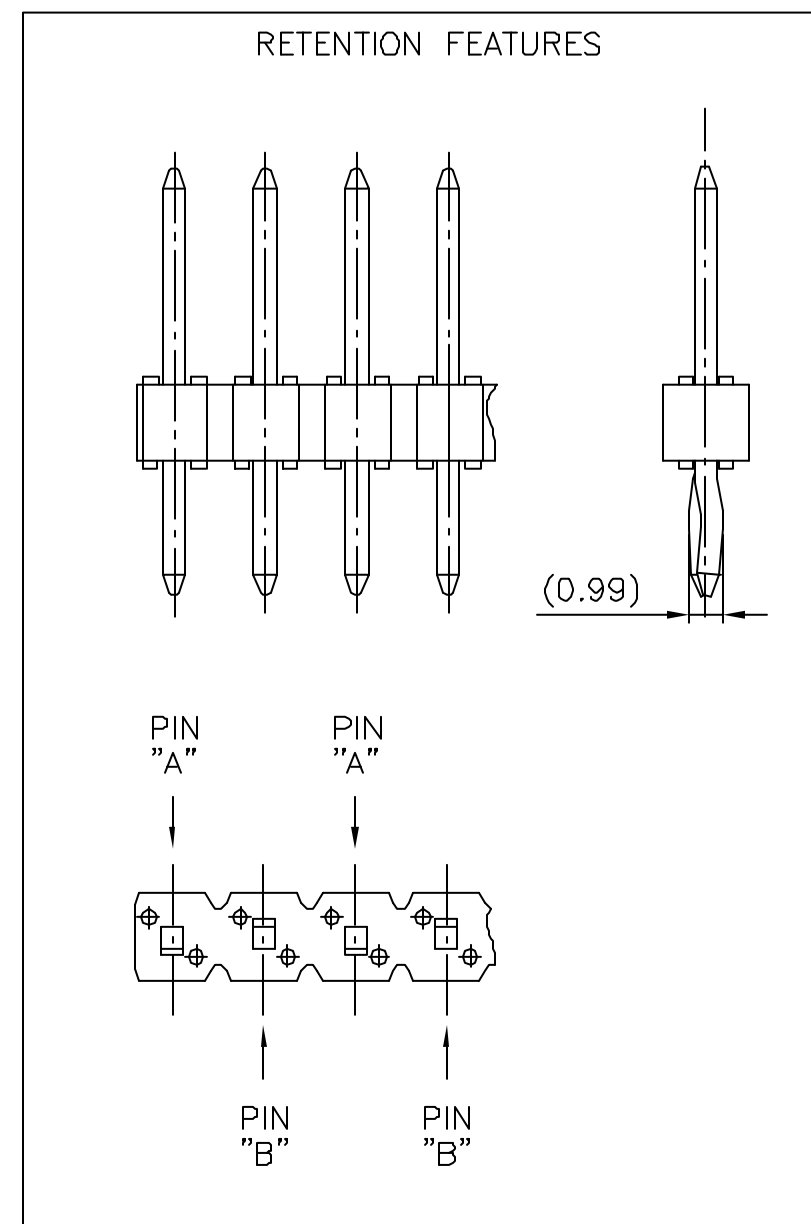
PLATING
 1 = 0.76µm GOLD/GXT ON CONTACT AREA
 3.81µm TIN/LEAD ON TAIL
 - WHEN "LF" IS REQUIRED, 2µm MATTE TIN OVER 1.27µm MIN NICKEL IS PROVIDED INSTEAD OF TIN-LEAD

| CATALOGUE RANGE | | | | |
|-----------------|-----------|--------|--------|-------|
| PLATING | PIN STYLE | MATING | SOLDER | OAL |
| 4/8 | 01 | 5.84 | 2.41 | 10.8 |
| 1/4/8 | 02 | 5.84 | 3.42 | 11.8 |
| 4/8 | 18 | 5.84 | 3.05 | 11.43 |
| 1/4/8 | 22 | 7.75 | 3.05 | 13.35 |
| 1/4/8 | 24 | 6.75 | 2.9 | 12.2 |
| 1/4/8 | 27 | 6.6 | 2.65 | 11.8 |

PLATING
 1 = 0.76µm GOLD/GXT ON CONTACT AREA
 3.81µm TIN-LEAD ON TAIL
 4 = 3.81µm TIN-LEAD ON CONTACT AREA AND ON TAIL
 8 = 0.38µm GOLD/GXT ON CONTACT AREA
 3.81µm TIN-LEAD ON TAIL
 - WHEN "LF" IS REQUIRED, 2µm MATTE TIN OVER 1.27µm MIN NICKEL IS PROVIDED INSTEAD OF TIN-LEAD

| APPLICATION SPECIFIC | | | | |
|----------------------|-----------|--------|--------|-------|
| PLATING | PIN STYLE | MATING | SOLDER | OAL |
| 1/4/8 | 03 | 5.72 | 5.09 | 13.35 |
| 1/4/8 | 05 | 5.72 | 10.14 | 18.4 |
| 1/4/8 | 15 | 8.51 | 2.55 | 13.6 |
| 1/4/8 | 19 | 12.83 | 3.03 | 18.4 |
| 1/4/8 | 20 | 15.37 | 3.04 | 20.95 |
| 1/4/8 | 26 | 15.57 | 2.84 | 20.95 |
| 1/4/8 | 29 | 17.5 | 3.46 | 23.5 |
| 1/4/8 | 32 | 10.3 | 3.05 | 15.9 |
| 1/4/8 | 38 | 5.84 | 3.82 | 12.2 |
| 1/4/8 | 46 | 8.08 | 2.98 | 13.6 |
| 1/4/8 | 58 | 14.47 | 3.05 | 20.06 |
| 1/4/8 | 62 | 13.5 | 3.05 | 19.09 |
| 1/4/8 | 70 | 6.54 | 3.50 | 12.57 |
| 1/4/8 | 83 | 20.46 | 3.00 | 26.00 |
| 1/4/8 | 85 | 5.72 | 8.51 | 16.76 |
| 1/4/8 | 87 | 6.98 | 3.05 | 12.57 |
| 1/4/8 | 91 | 5.6 | 10.21 | 18.35 |
| 1/4/8 | 92 | 5.65 | 12.76 | 20.95 |
| 1/4/8 | 93 | 6.00 | 4.81 | 13.35 |
| 1/4/8 | 94 | 15.60 | 3.20 | 21.25 |

PLATING
 1 = 0.76µm GOLD/GXT ON CONTACT AREA
 3.81µm TIN-LEAD ON TAIL
 4 = 3.81µm TIN-LEAD ON CONTACT AREA AND ON TAIL
 8 = 0.38µm GOLD/GXT ON CONTACT AREA
 3.81µm TIN-LEAD ON TAIL
 - WHEN "LF" IS REQUIRED, 2µm MATTE TIN OVER 1.27µm MIN NICKEL IS PROVIDED INSTEAD OF TIN-LEAD



- RETENTION FEATURES :
- PART NUMBER 77311-XXXXXX(LF)
 - PINS "A" AND "B" USED FOR RETENTION. SEE NOTE 6
 - DIRECTION OF RETENTION SHOWN BY ARROWS.
 - ON 4 TO 36 POSITIONS HEADER; RETENTION IS IN MID POSITION OF HEADER (4 CENTRAL PINS)
 - FOR RETENTION OPTION, SOLDER TAIL LENGTH TO BE 2.9 MIN UP TO 3.5 MAX.

PLATING SPECIFICATIONS :

6 - 8.0MM GOLD / GXT PLATING AREA FROM PIN TIP ON MATING SIDE

| | | | | | | |
|-------------|----------------|----------|------------------|---------------------------------------|----------------------------|----------|
| mat'l. code | | surface | tolerance | projection | product family | |
| | | ISO 1302 | ISO 406 ISO 1101 | | BERGSTIK | |
| Ltr | ecn no | dr | date | tolerances unless otherwise specified | title | |
| AV | F07-0125 | LMU | 07.02.05 | angles | UNSHR.HEADER STR SR TMT | |
| AW | F07-0155 | LMU | 07.03.15 | linear | | |
| AX | F07-0255 | LMU | 07.09.11 | | | |
| AY | F08-0148 | RTR | 08.03.31 | dr | D.LE | 01.01.24 |
| BA | F08-0250 | LMU | 08.12.16 | enrg | JM.C | 01.01.24 |
| | | | | chr | JM.C | 01.01.24 |
| AU | F07-0114 | LMU | 07.01.24 | appd | JF.N | 01.01.24 |
| sheet index | revision sheet | | | | | |

scale N/A

FCJ

dwg no 77311 sheet 2 of - size A3

type CUSTOMER Drawing



FCconnect.com

Copyright FCJ