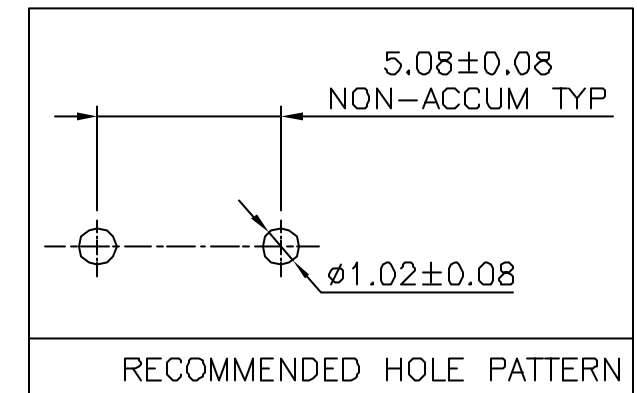


PRODUCT NUMBER
75189-YXX-XXLF

WHEN REQUIRED, ADD SUFFIX LETTER "LF"
INDICATES THE PRODUCT IS RoHS COMPLIANT
& COMPATIBLE, SEE NOTE 7

NUMBER OF CONTACTS, 2 TO 18.

STYLE	"A"±0.2	"B"±0.35	"J" REF
01	5.72	2.57	9.65
13	5.72	3.45	9.65

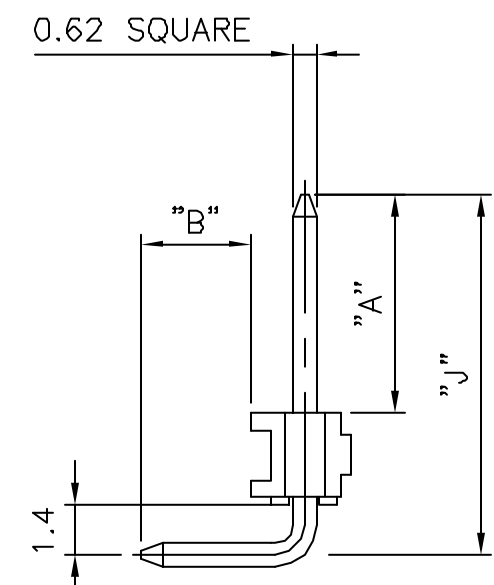
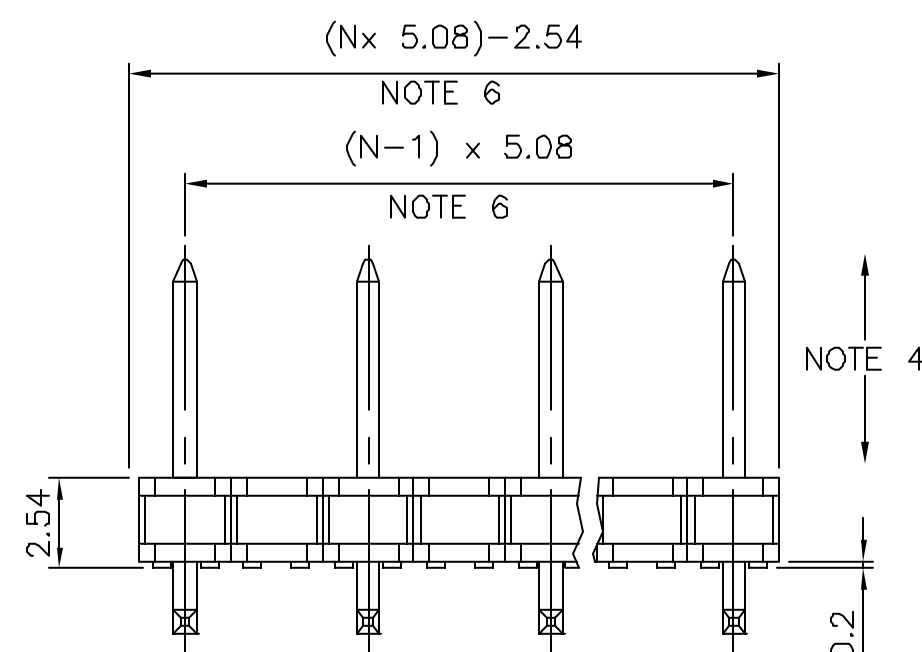
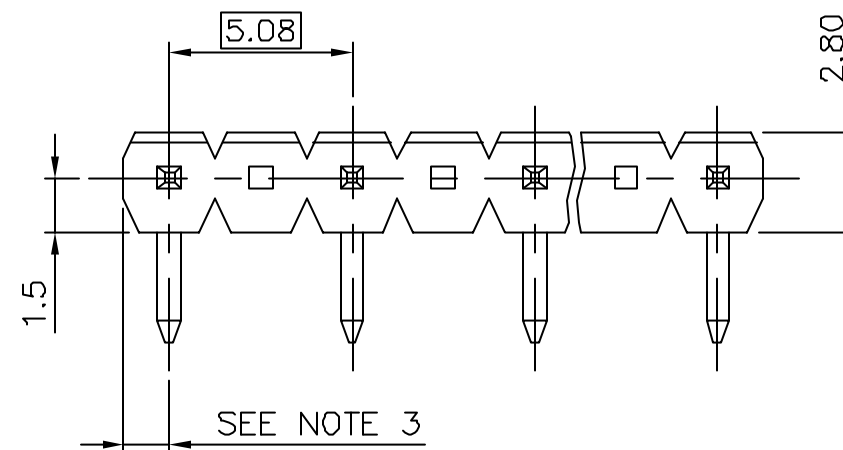


PLATING:

1 = 0.76µm FULL GOLD, OVER 1.27µm Ni MIN

NOTES:

- HOUSING MAT'L : HIGH TEMPERATURE THERMOPLASTIC FLAME RETARDANT PER UL94-V0, COLOR BLACK.
- PIN MATERIAL : PHOSPHOR BRONZE.
- DIM 1.27^{+0.03}_{-0.13} FOR MOULDED SIDE(S) ONLY. IF SIDE(S) ARE BROKEN, DIM 1.02 TO 1.7 MAX APPLIES.
- PIN PUSH OUT FORCE : 12N MIN.
- PRODUCT PACKAGED IN POLY BAGS.
- TO DETERMINE DIMENSIONS :
N = NUMBER OF CONTACTS
- RoHS COMPATIBLE PRODUCT SPECIFICATIONS
 - SUFFIX "LF" IS ADDED JUST FOR EASY LEADFREE IDENTIFICATION.
 - MANUFACTURING PROCESS COMPATIBILITY
 - THE HOUSING WILL WITHSTAND EXPOSURE TO 260°C ±5°C SOLDER BATH TEMPERATURE FOR 5 SECONDS IN A WAVE SOLDER APPLICATION WITH A 1.6mm MIN THICK CIRCUIT BOARD.
 - MEETS PACKAGING SPECS AS PER GS-14-920
 - LABELING:
 - LEGAL STATEMENT: SEE GS-22-008



mat'l. code				surface ISO 1302 ✓	tolerance ISO 406 ISO 1101	projection mm	product family BSTIK
Ltr	ecn no	dr	date	tolerances unless otherwise specified		scale 5:1	title HEADER,SR,RA, POL 5.08mm
H	F10078	JMC	91.02.25	angles	.x ±0.3		
J	F05-0186	JCO	05.06.09	Linear	.xx ±0.15		
K	F06-0196	LMU	06.06.20		xxx ±0.05		
				dr	LMU	05.06.09	dwg no
				enr	J.COMPAGNON	05.06.09	sheet 1 of 1
				chr			size
				appd	JCO	05.06.09	A3
sheet index	revision sheet						type CUSTOMER Drawing



Copyright FCJ