

DRAWING MADE IN THIRD ANGLE PROJECTION

3

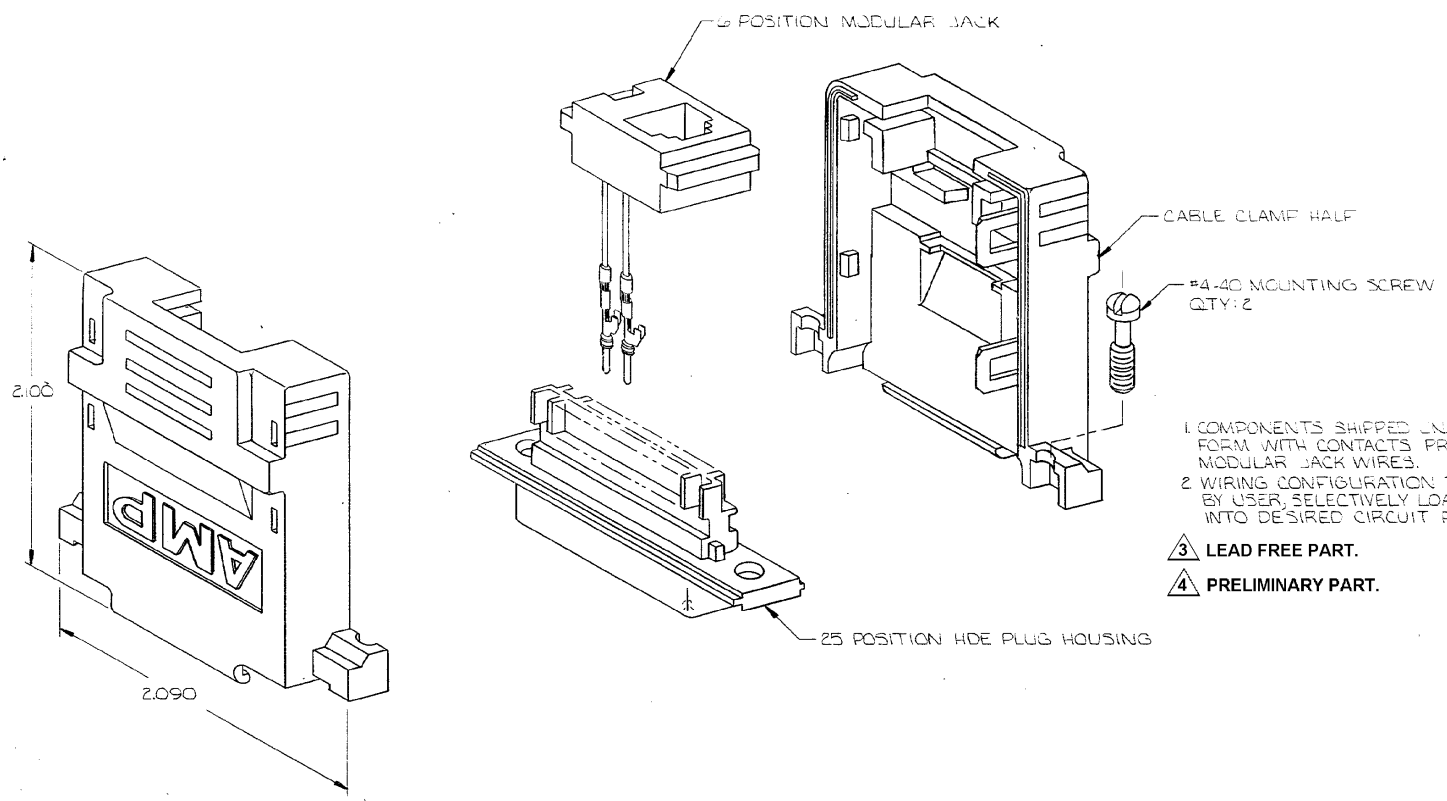
2

1

LOC 8D DIST 39

THIS DRAWING IS UNPUBLISHED. RELEASED FOR PUBLICATION . 19
 © COPYRIGHT 19 BY AMP INCORPORATED, HARRISBURG, PA. ALL INTERNATIONAL RIGHTS RESERVED. AMP PRODUCTS MAY BE COVERED BY U.S. AND FOREIGN PATENTS AND/OR PATENTS PENDING.

REVISIONS					
P	F	ZONE/LTR	DESCRIPTION	DATE	APPROVED
		B	REV PER 0G3C-0209-03	22JUL03	JO



1 COMPONENTS SHIPPED UNASSEMBLED IN KIT FORM WITH CONTACTS PRETERMINATED ON MODULAR JACK WIRES.
 2 WIRING CONFIGURATION TO BE DETERMINED BY USER, SELECTIVELY LOADING CONTACTS INTO DESIRED CIRCUIT POSITIONS.

- ③ LEAD FREE PART.
- ④ PRELIMINARY PART.

748100

④ ③	748100-2
	748100-1
	PART NO

UNLESS OTHERWISE SPECIFIED DIMENSIONS ARE IN INCHES. TOLERANCES ON: DECIMALS ± .010 ANGLES	CONTRACT NO	AMP AMP INCORPORATED Harrisburg, Pa. 17105	
	DR <i>U. Richard 8/8/85</i>	NAME RS 232 1/6 POS. MODULAR JACK INTERFACE CONNECTOR KIT, AMPLIMITE	
MATERIAL MOLDED PARTS: FLAME RETARDANT BLACK THERMOPLASTIC SCREWS: STEEL	CHK <i>Wilson 9/18/85</i>	SIZE	FSCM NO
FINISH SCREWS: ZINC PLATED	APPD <i>J. M. ... 9/18/85</i>	C	00779
	APPD <i>V. Kumar 9/18/85</i>	DSGN APPD	DRAWING NO
	OTHER APPD		748100
		SCALE	SHEET
		NTS	