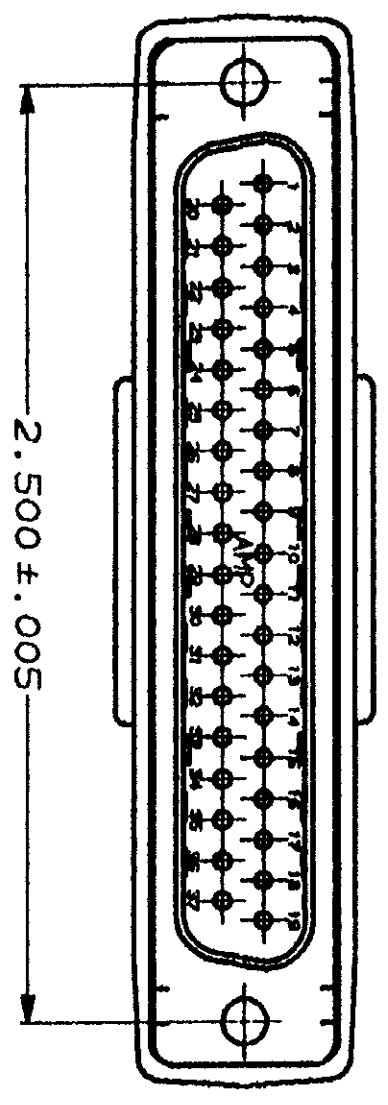
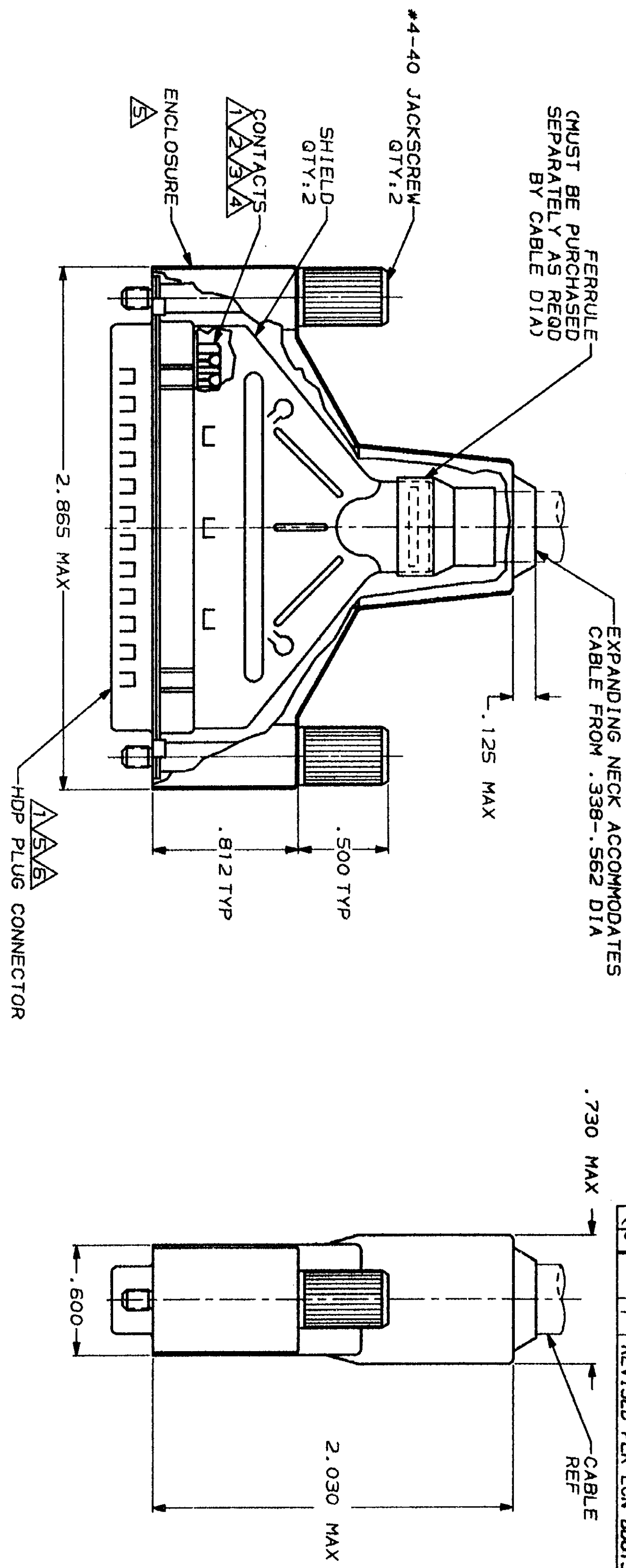


MOD	DATE	BY	DESCRIPTION	DATE	APPD
2	BD	39	REV PER ECN B04457		BT
			REVISED PER ECN B06133		TMS



- 1 PLUG CONNECTOR FULLY LOADED WITH CONTACTS. ALL OTHER PARTS ARE SHIPPED UNASSEMBLED, EACH PART INDIVIDUALLY BULK PACKED.
- 2 PHOSPHOR BRONZE PER QQ-B-750.
- 3 SOLDER CUP WILL ACCOMMODATE 20 AWG MAX WIRE.
- 4 GOLD FLASH FOR LENGTH OF .150 MIN ON MATING END. .000150-.000300 TIN LEAD ON SOLDER END, ALL OVER .000030 NICKEL ON ENTIRE CONTACT.
- 5 FLAME RETARDANT 94V-0 RATED THERMOPLASTIC, BLACK.
- 6 STEEL PER ASTM A109.
- 7 TIN PLATING PER MIL-T-10727.
- 8 ZINC PLATING PER ASTM B633, TYPE II, CLASS SCI, BLACK CHROMATE.

DO NOT SCALE PRINT. UNLESS SPECIFIED DIMENSIONS IN INCHES TOLERANCES ON:		DR 6-8-90	J. GALLUCCI BS	NAME	AMP INCORPORATED
1	PLC DEC # .020	CHK 8-31-90	J. McCLINTON	BULK KIT, PLUG, AMPLIMITER™, SOLDER CUP, SHIELDING ENCLOSURE, 37 POSN, SIZE 4, HDP-20	AMP INCORPORATED
2	PLC DEC # .020	APPD 9-4-90	BOB TAYLOR	CONTACT FINISH	748052-1
3	PLC DEC # .020	APPD 9-4-90	J. ASSINI	PART NUMBER	748052
MATERIAL		PRODUCT SPEC		SIZE	FSCM NO
CONTACTS: (1, 2, 3, 4)		APPLICATION SPEC		00779	748052
SHELLS & SHIELDS: (5, 6)		WEIGHT		SCALE	2:1
JACKSCREWS: (7, 8)					1 OF 1
FINISH					
CONTACTS, SEE TABLE					
SHELLS & SHIELDS, JACKSCREWS, ZINC ALLOY					

CUSTOMER DRAWING