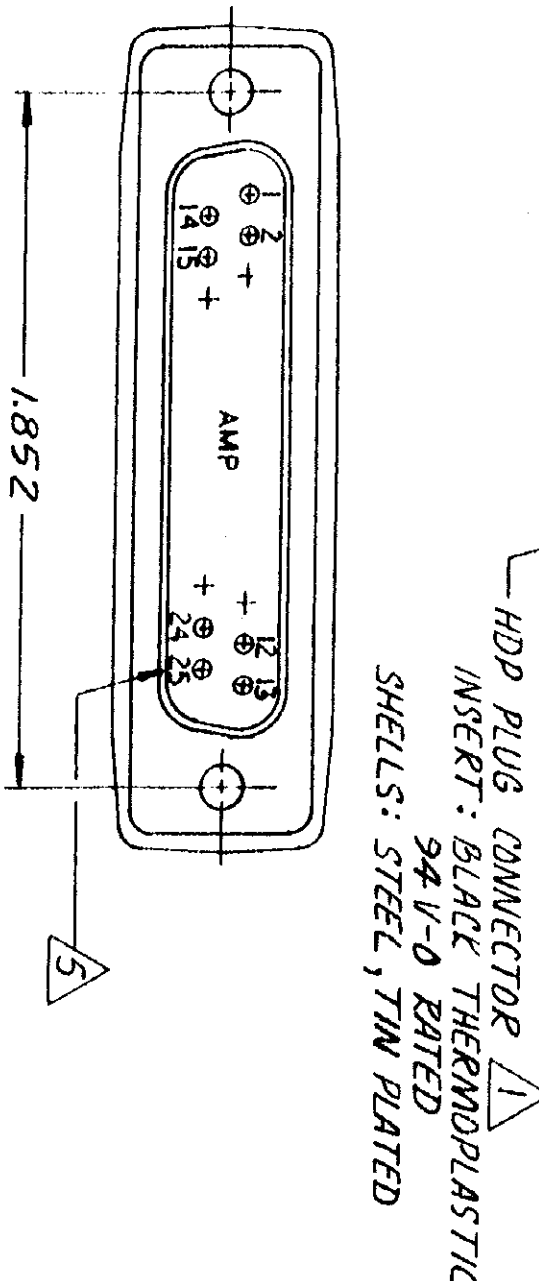
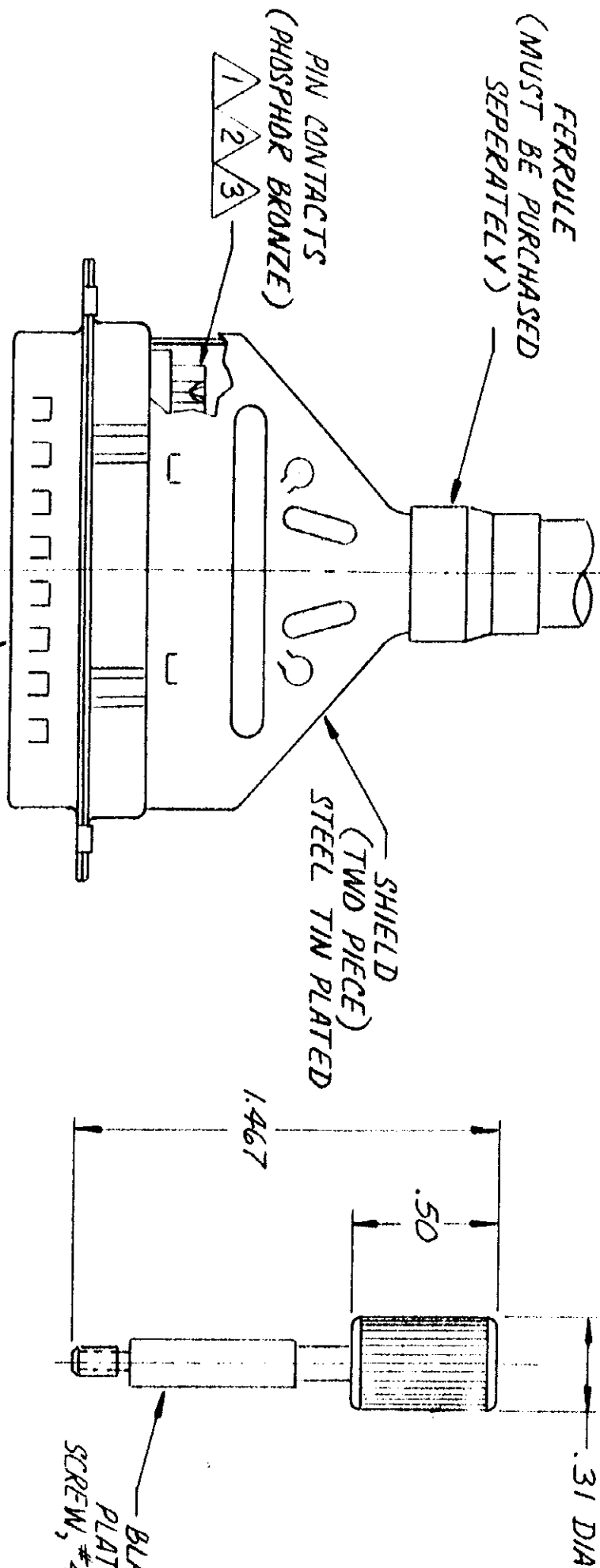
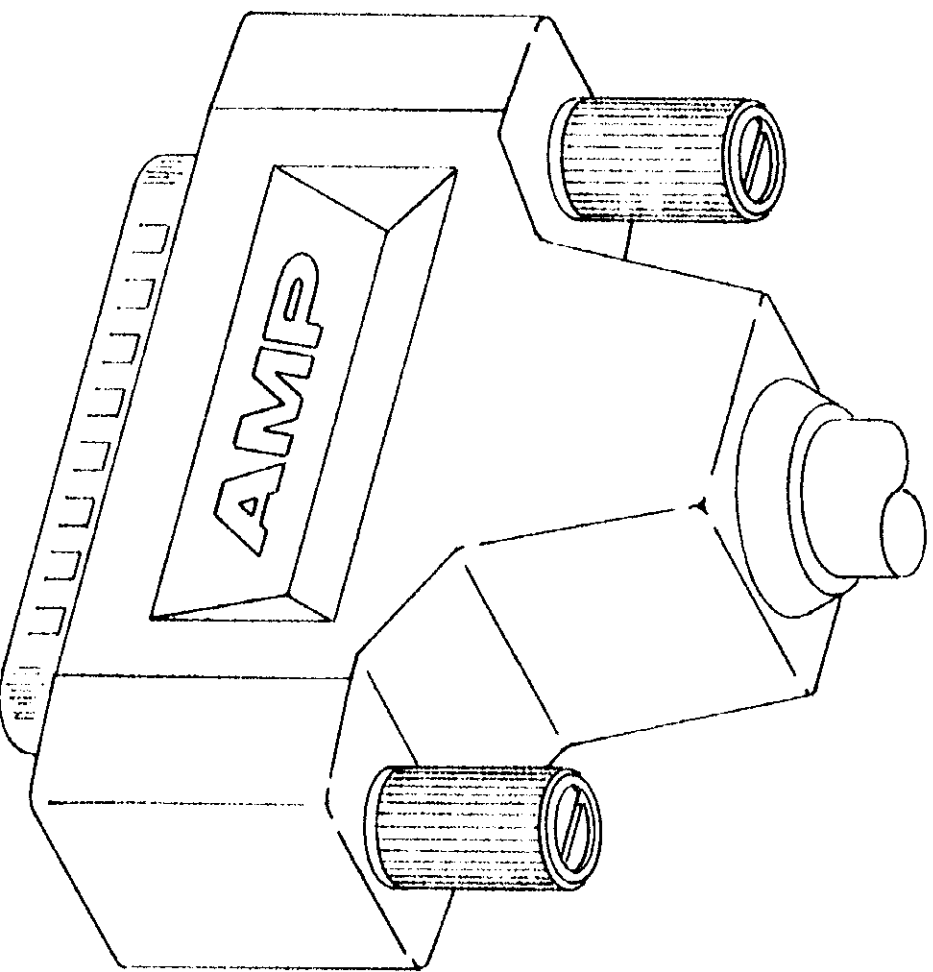
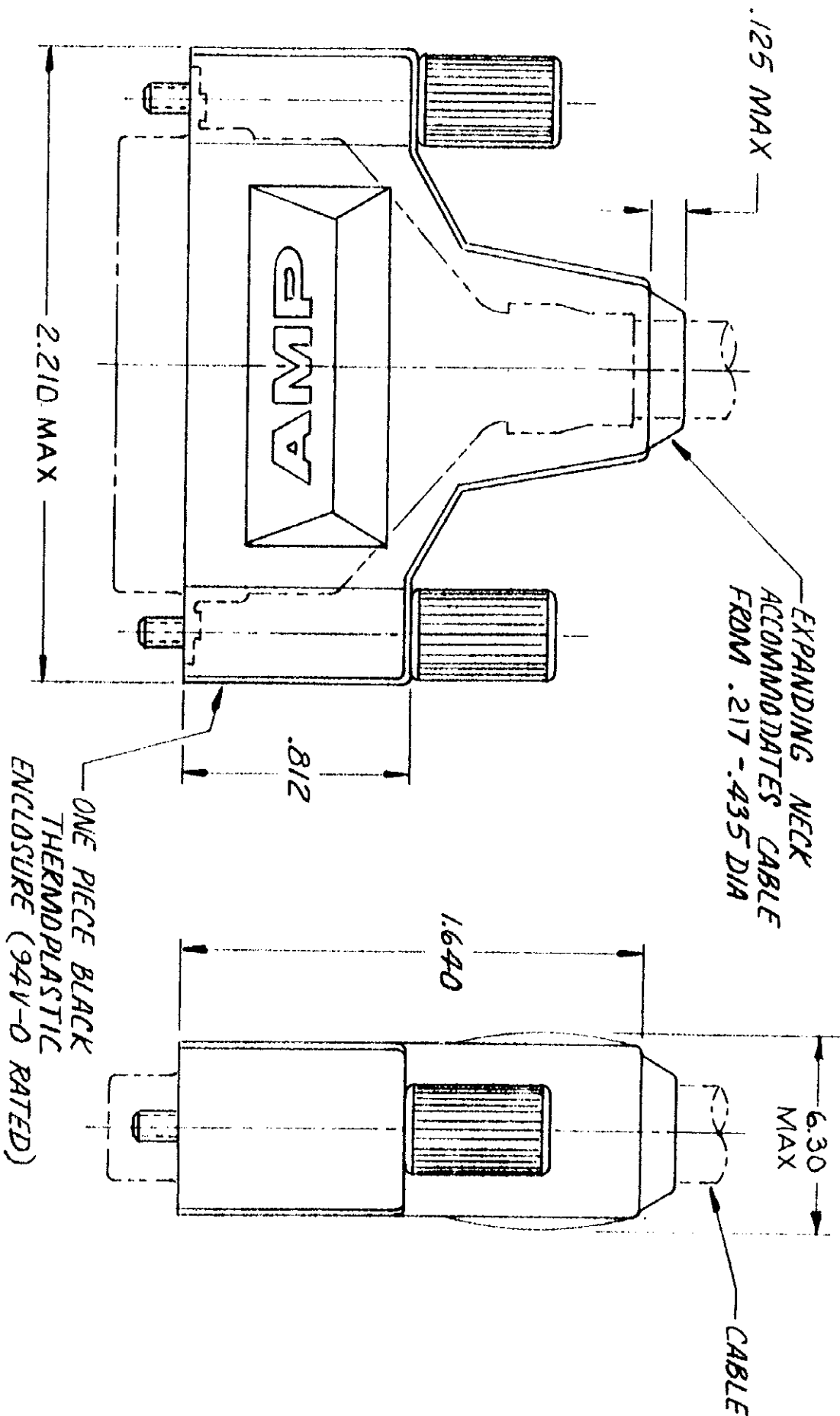


THIS DRAWING IS UNPUBLISHED. RELEASED FOR PUBLICATION
 © COPYRIGHT 19 BY AMP INCORPORATED, HARRISBURG, PA. ALL INTERNATIONAL RIGHTS RESERVED. AMP PRODUCTS MAY BE COVERED BY U.S. AND FOREIGN PATENTS AND/OR PATENTS PENDING.



1. PLUG CONNECTOR FULLY LOADED WITH CONTACTS. ALL OTHER PARTS ARE SHIPPED UNASSEMBLED (EACH PART INDIVIDUALLY BULK PACKED).
2. SOLDER CUP WILL ACCOMMODATE AWG 20 MAX WIRE.
3. CONTACTS PLATED WITH GOLD FLASH ON MATING END FOR .150 MIN LENGTH. .000150-.000300 TIN-LEAD PLATE ON SOLDER CUP WITH .000030 NICKEL UNDERPLATE ON ENTIRE CONTACT.
4. ALTERNATE FINISH ON CONTACTS AVAILABLE AT CUSTOMER'S REQUEST.
5. RAISED CAVITY IDENTIFICATION AND AMP TRADEMARK.

REVISIONS		DATE	APPROVED
P	F	ZONE/LTR	DESCRIPTION
0		0	RELEASED
1		A	REV-ECN 1733
2		B	REV PER ECN BLD2508
3		C	REV PER ECN BD 4294
4		D	REV PER ECN BD 4814
5		E	REVISED PER ECN BD G133

UNLESS OTHERWISE SPECIFIED DIMENSIONS ARE IN INCHES. TOLERANCES ON: DECIMALS ± .020 ANGLES		CONTRACT NO	
MATERIAL		DR M.S. Shack 7-9-85	
SEE CALL OUT		CHK	
SEE CALL OUT		APPD	
FINISH		DSGN APPD	
SEE CALL OUT		OTHER APPD	
AMP AMP INCORPORATED Harrisburg, Pa. 17105		NAME	
AMPLIMITE SHIELDING ENCLOSURE, BULK KIT, PLUG, SOLDER CUP HDP-20, SIZE 3, 25 POSITION		SIZE	
SCALE		FSCM NO	
C		00779	
DRAWING NO		748050	
SHEET		PART NO	
1 OF 1		748050-1	

748050

CUSTOMER DRAWING

AMP 1471-6 REV 2-81