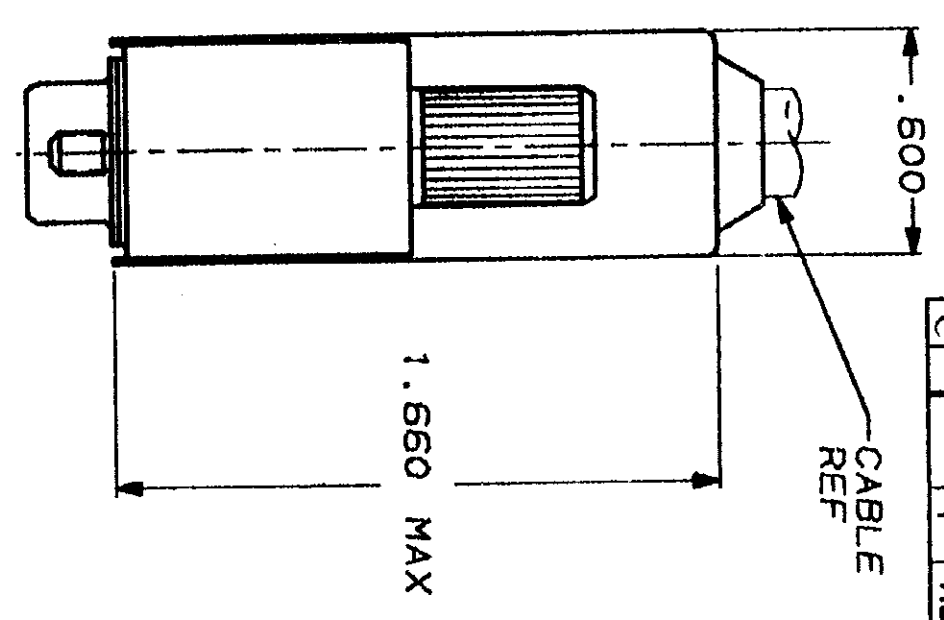
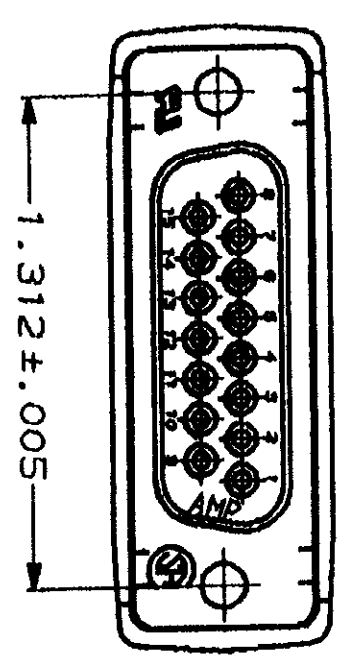
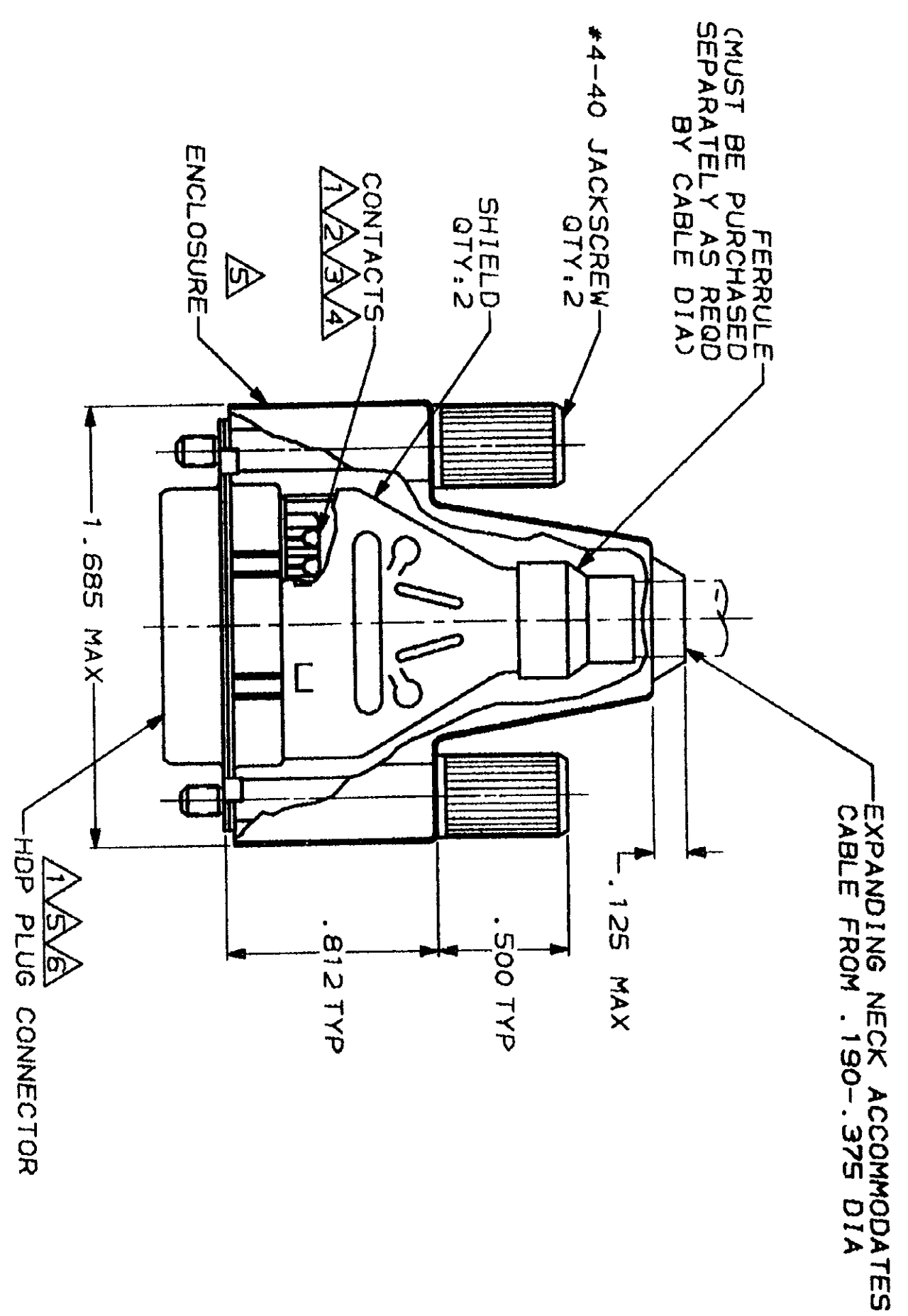


DRAWING MADE IN THIRD ANGLE PROJECTION
 THIS DRAWING IS UNPUBLISHED. RELEASED FOR PUBLICATION
 BY AMP INCORPORATED. ALL INTERNATIONAL RIGHTS RESERVED. © 1979

REV	DATE	APP'D	DESCRIPTION
2	8/7/90		REDRAWN
1	6/21/81		REV PER ECN BD4814
0	7-3-81	TMS	REV PER ECN BD5049
0	04/02/82	TMS	REVISED PER ECN BD6133



- 1 RCPT CONNECTOR FULLY LOADED WITH CONTACTS. ALL OTHER PARTS ARE SHIPPED UNASSEMBLED, EACH PART INDIVIDUALLY BULK PACKED.
- 2 PHOSPHOR BRONZE PER QQ-B-750.
- 3 SOLDER CUP WILL ACCOMMODATE 20 AWG MAX WIRE.
- 4 GOLD FLASH FOR LENGTH OF .100 MIN ON MATING END. .000150-.000300 TIN LEAD ON SOLDER END, ALL OVER .000030 NICKEL ON ENTIRE CONTACT.
- 5 FLAME RETARDANT 94V-0 RATED THERMOPLASTIC, BLACK.
- 6 STEEL PER ASTM A109.
- 7 TIN PLATING PER MIL-T-10727.
- 8 ZINC PLATING PER ASTM B633, TYPE II, CLASS SCI, BLACK CHROMATE.

DO NOT SCALE PRINT. UNLESS SPECIFIED DIMENSIONS IN INCHES TOLERANCES ON:	DR 6/7/90 A. STAUB BG	NAME	AMP INCORPORATED Merrilldale, Pa. 17105
1 PLC DEC # -	CHK 8-31-90 J. MCCLINTON	SIZE	BULK KIT, RCPT, AMPLIMITER™, SHIELDING ENCLOSURE, 15 POSN, SIZE 2, HDP-20
2 PLC DEC # -	APPD 9-4-90 BOB TAYLOR	SCALE	2:1
3 PLC DEC # -	APPD 9-4-90 J. ASSINI	SIZE	00779
ANGLES	PRODUCT SPEC	DRAWING NO	748049
MATERIAL	APPLICATION SPEC	SCALE	2:1
CONTACTS: 1/2, 3/4	WEIGHT	SHEET	1 OF 1
SHELLS & SHIELDS: ALLOY			
JACKSCREWS, ZINC ALLOY			
NOLDED PARTS: 1/2, 3/4			
FINISH			
SHELLS & SHIELDS: 1/2, 3/4			
JACKSCREWS: 1/2, 3/4			
CONTACTS: SEE TABLE			

CONTACT FINISH	748049-1
PART NUMBER	

748049

CUSTOMER DRAWING