

PRODUCT NO.

73725

PRODUCT NUMBER CODE

73725-X X X 0 B LF

HOUSING COLOR OPTION

- 0-WHITE
- 1-BLACK

SENSOR CONTACT OPTION

- 0-WITH SENSOR CONTACT
- 1-WITHOUT SENSOR CONTACT

SHIELD PLATING OPTION

- 1- 2.5µm MINIMUM TIN/LEAD OVER 1.25µm MINIMUM NICKEL UNDERPLATE (HOLD DOWN STYLE "A")
- 2- 1.25µm MINIMUM NICKEL UNDERPLATED & 2.5 µm MINIMUM TIN/LEAD PLATED ON HOLD DOWN ONLY (HOLD DOWN STYLE "B")
- 3- 1.25µm MINIMUM NICKEL UNDERPLATED & 2.5 µm MINIMUM TIN/LEAD PLATED ON HOLD DOWN ONLY (HOLD DOWN STYLE "A")
- 4- 2.5µm MINIMUM TIN/LEAD OVER 1.25µm MINIMUM NICKEL UNDERPLATE (HOLD DOWN STYLE "B")
- 5- 2.5µm MINIMUM TIN/LEAD ON HOLD DOWN OVER 1.25µ MINIMUM NICKEL UNDERPLATE (HOLD DOWN STYLE "C")
- 6- 1.25µm MINIMUM NICKEL ONLY (HOLD DOWN STYLE "A")
- 7- 1.25µm MINIMUM NICKEL UNDERPLATED & 2.5 µm MINIMUM MATTE TIN PLATED (HOLD DOWN STYLE "A")
- 8- 1.25µm MINIMUM NICKEL UNDERPLATED & 2.5 µm MINIMUM MATTE TIN PLATED (HOLD DOWN STYLE "B")
- S- 1.25µm MINIMUM NICKEL ONLY, STYLE A HIGH PERFORMANCE MATERIAL FOR 12,000 DURABILITY CYCLES

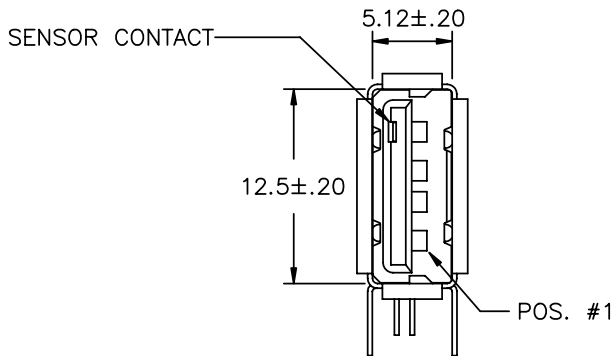
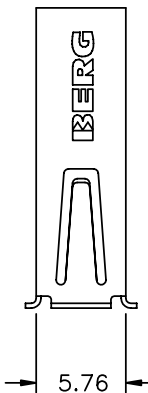
TERMINAL PLATING OPTION

- 0-50u" NI UNDERPLATE
- 30u" GXT CONTACT AREA
- 100u" TIN/LEAD TAIL AREA

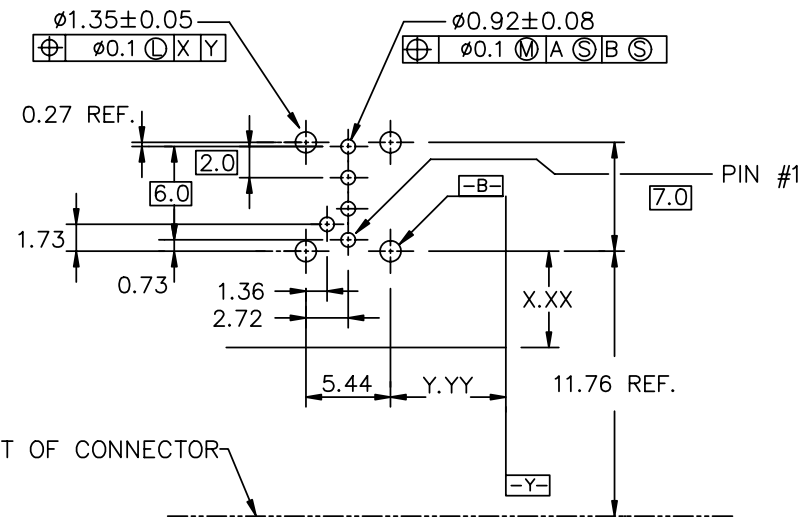
NOTES:

1. MATERIAL:  
CONTACTS: COPPER ALLOY  
SHIELD: COPPER ALLOY  
HOUSING: UL 94V-0 THERMOPLASTIC, COLOR: SEE PRODUCT CODE
2. PLATING: CONTACTS: GOLD FLASH OVER PALLADIUM NICKEL (0.76µm MINIMUM) IN CONTACT AREA; 2.5 µm TIN-LEAD MINIMUM IN SOLDER TAIL AREA. 1.27 µm MINIMUM NICKEL UNDERPLATE OVER ALL SURFACES.  
SHIELD: SEE PRODUCT NUMBER CODE.
- ③ DATUMS & BASIC DIMENSIONS TO BE DETERMINED BY CUSTOMER
4. RECOMMENDED BOARD THICKNESS IS 1.60mm ~ 1.00mm.
- ⑤ MAXIMUM PANEL THICKNESS TO BE 2.67mm IF MOUNTED BEHIND PANEL
6. METAL SHELL SLIVER 0.20 MAX.
7. NI PLATING DOES NOT COMPLY WITH THE USB STANDARDS (to be continued)

LEAD FREE OPTION  
THE PLATING WILL CHANGE,  
SEE NOTE 9

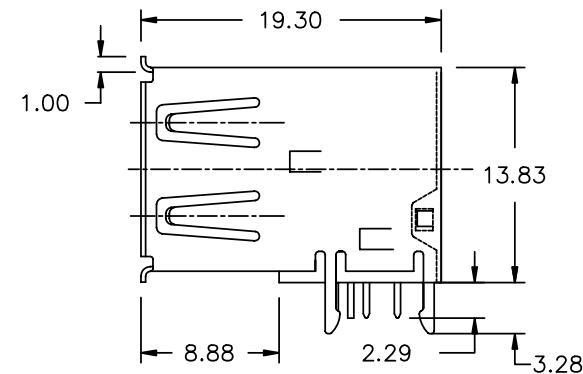


WITH SENSOR CONTACT



FRONT OF CONNECTOR

PC BOARD MOUNTING DIMENSIONS FOR 5 PIN



FOR 73725-X0X0B  
HOLD DOWN STYLE "A"

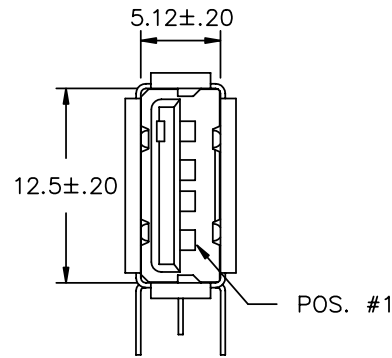
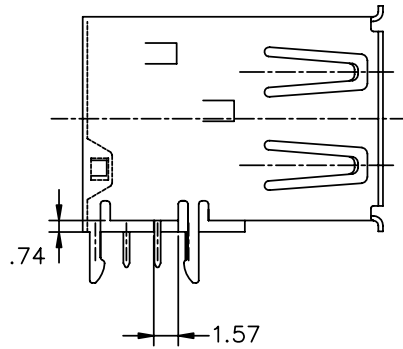
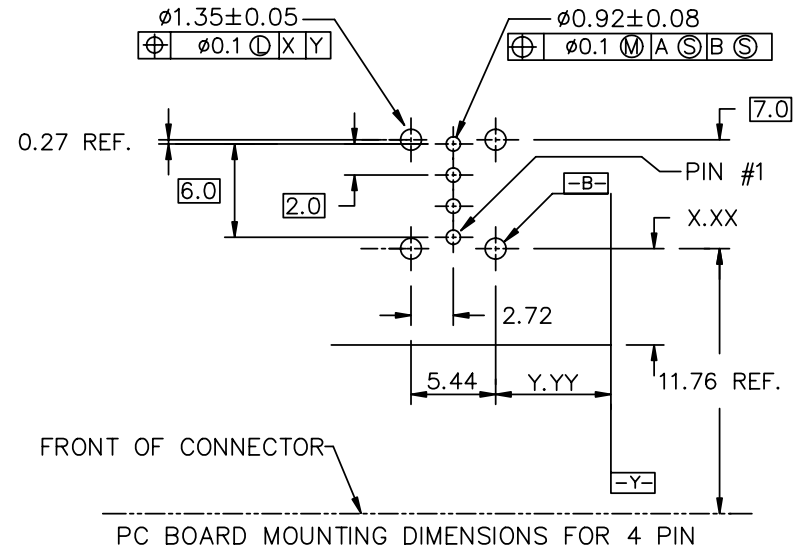
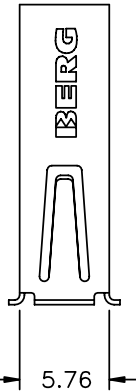
mat'l code				tolerance unless otherwise specified		CUSTOMER COPY	FCJ www.fcjconnect.com	
rev.	ecn no.	dr	date	linear	.0 ± .30	projection	title	USB UP-RIGHT RECEIPT
T	N05-0028	PH	02/04/05		.00 ± .20			
U	N07-0055	WG	02/15/07		.000± 0.10			
V	N07-0067	WG	03/07/07	angles	± 2°	product family USB size dwg no. A3 73725	code TWN sheet 1 OF 4	
W	N07-0077	WG	03/19/07	dr	PAMP 5/20/97			unit
X	N07-0159	WG	07/11/07	enrg	R Y LIU 5/20/97			mm
Y	N08-0238	R.B	2008/11/03	chr	R Y LIU 5/20/97			scale
				appd	JENN TSAO 5/20/97	3 : 1		
sheet	revision	Y	Y	Y	Y			
index	sheet	2	2	4	4			

PRODUCT NO.

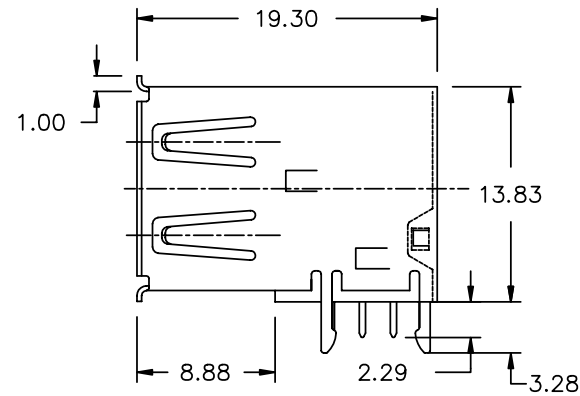
73725

(CONTINUED)



6. P/N'S WITH SUFFIX "LF" ARE LEAD FREE P/N'S
7. FOR LEAD FREE P/N, THE PRODUCT MEET EUROPEAN UNION DIRECTIVES AND OTHER COUNTRY REGULATION AS DESCRIBED IN GS-22-008
8. THE HOUSING WILL WITHSTAND EXPOSURE TO 260°C PEAK TEMPERATURE FOR 40 SECONDS IN A CONVECTION, INFRARED OR VAPOR PHASE REFLOW OVEN.
9. FOR ALL LEAD FREE P/N'S, CHANGE TIN/LEAD PLATING TO PURE TIN PLATING
10. FOR 73725-XX3XXLF MEET DURABILITY 12K CYCLES
11. THE PRODUCT CAN BE USED FOR PIP PROCESS



WITHOUT SENSOR CONTACT



FOR 73725-X1X0B

mat'l code		tolerance unless otherwise specified		CUSTOMER COPY		 www.fcjconnect.com	
rev.	ecn no.	dr	date	linear	.0 ± .30	projection	title USB UP-RIGHT RECEPT
Y					.00 ± .20		
				angles	.000± 0.10		product family USB
					± 2°		
				dr	PETER PAM 9/4/97	unit	code
				enrg	R Y LIU 9/4/97	mm	TWN
				chr	R Y LIU 9/4/97	scale	sheet
				appd	JENN TSAO 9/4/97	A3	2 OF
sheet	revision						
index	sheet						

PDM: Rev:Y

STATUS: Released

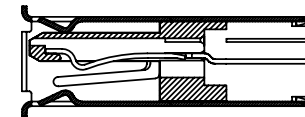
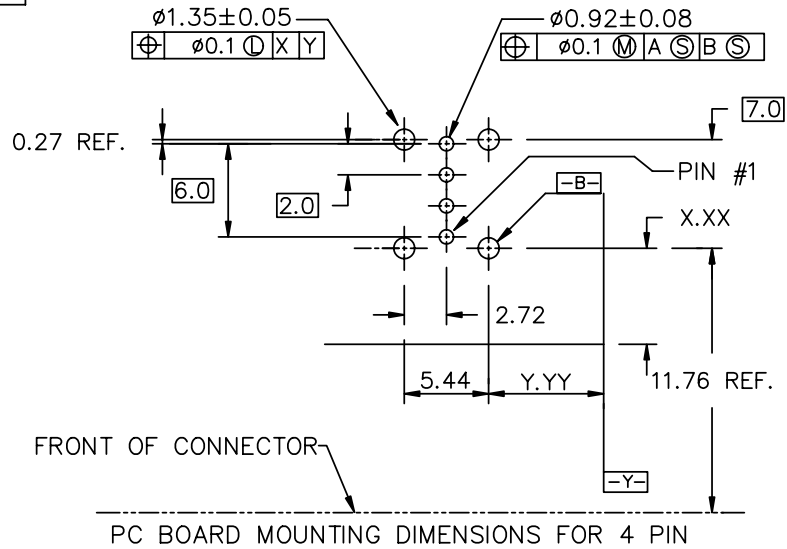
Printed: Nov 07, 2008

Tous droits strictement réservés. Reproduction ou communication à des tiers int  
 sous quelque forme que ce soit sans autorisation écrite du propriétaire.  
 Property of FCJ ELECTRONICS. All rights reserved. Reproduction or communication to  
 third parties without written authority from the proprietor.  
 Copyright BERG ELECTRONICS by FCJ ELECTRONICS

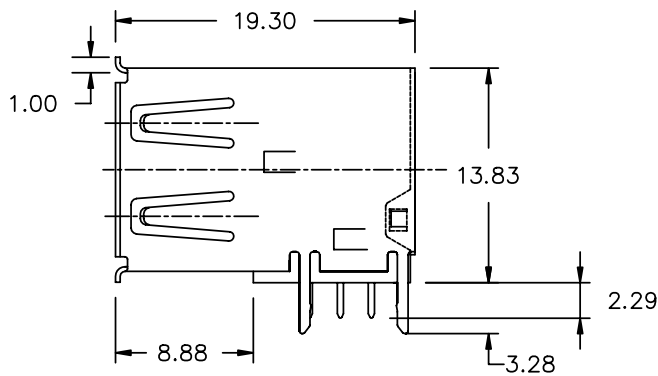
All rights strictly reserved. Reproduction or issue to third parties in any for  
 whatever is not permitted without written authority from the proprietor.  
 Property of FCJ ELECTRONICS. All rights reserved. Reproduction or communication to  
 third parties without written authority from the proprietor.  
 Copyright BERG ELECTRONICS by FCJ ELECTRONICS

PRODUCT NO.

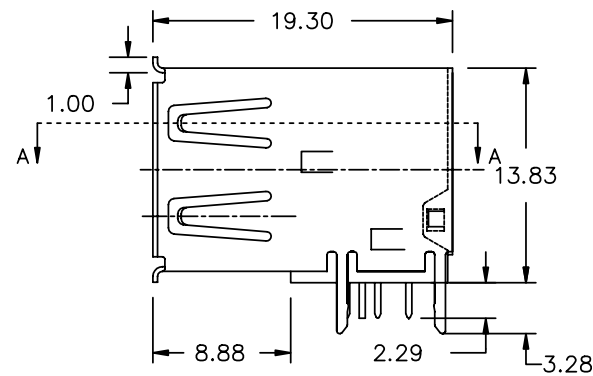
73725




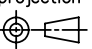
SECTION A-A



WITHOUT SENSOR CONTACT  
FOR 73725-X1X0B  
HOLD DOWN STYLE "B"



WITH SENSOR CONTACT  
FOR 73725-X0X0B  
HOLD DOWN STYLE "B"

mat'l code		tolerance unless otherwise specified		CUSTOMER COPY		 www.fcjconnect.com		
rev.	ecn no.	dr	date	linear	.0 ± .30	projection	title	
Y					.00 ± .20			
				angles	.000 ± 0.10	product family USB size dwg no.	code TWN sheet 3 OF	
					± 2°			scale 3 : 1
				dr	PETER	5/20/97	unit	
				enr	JOHN WEN	5/20/97		
				chr	JOHN WEN	5/20/97		
				appd	JENN TSAO	5/20/97		
sheet	revision							
index	sheet							

PDM: Rev:Y

STATUS: Released

Printed: Nov 07, 2008

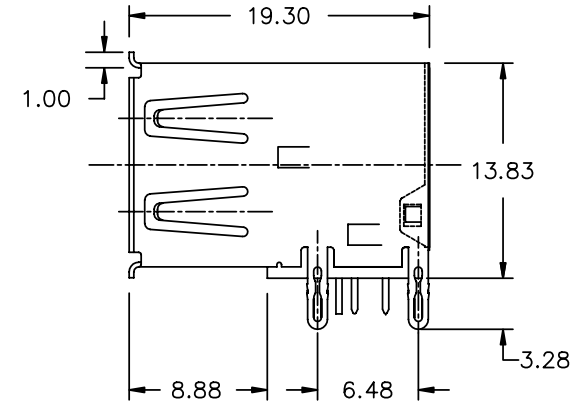
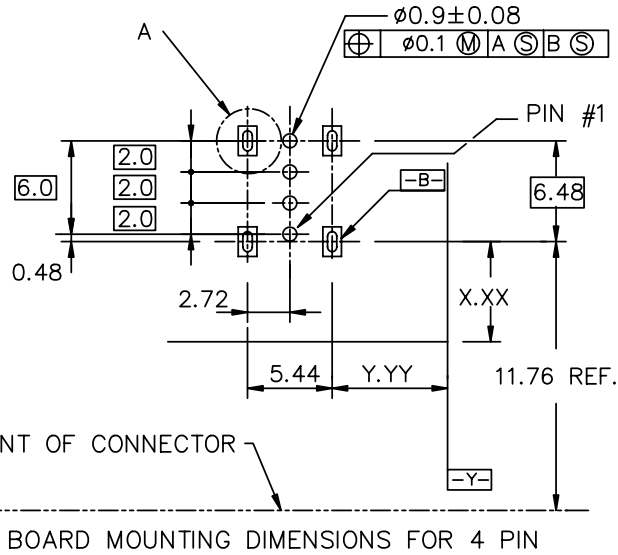
Tous droits strictement réservés. Reproduction ou communication à des tiers sans autorisation écrite du propriétaire.



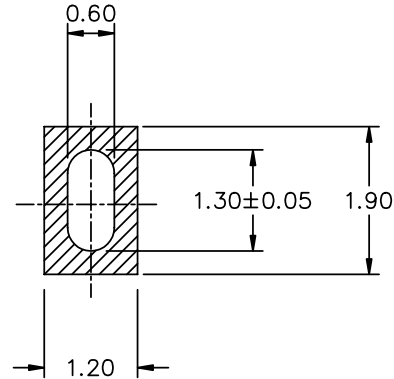
All rights strictly reserved. Reproduction or issue to third parties in any form without written authority from the proprietor.

PRODUCT NO.


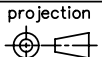
73725



WITHOUT SENSOR CONTACT  
FOR 73725-X1X0B  
HOLD DOWN STYLE "C"



DETAIL A 5 : 1

mat'l code		tolerance unless otherwise specified		CUSTOMER COPY		 www.fcconnect.com	
rev.	ecn no.	dr	date	linear	.0 ± .30	projection	 title USB UP-RIGHT RECEPT
Y					.00 ± .20		
				angles	.000 ± 0.10		
					± 2°		
		dr	PETER	01/12/99	unit	mm	product family USB
		enr	R Y LIU	01/12/99	scale	3 : 1	code TWN
		chr	R Y LIU	01/12/99	size	A3	sheet 4 OF
		appd	JENN TSAO	01/12/99	dwg no.	73725	
sheet	revision						
index	sheet						

PDM: Rev:Y

STATUS: Released

Printed: Nov 07, 2008

Tous droits strictement reserves. Reproduction ou communication a des tiers int  
 sous quelque forme que ce soit sans autorisation écrite du propriétaire.  
 Property of c. BERG ELECTRONICS.  
 Copyright BERG ELECTRONICS by



All rights strictly reserved. Reproduction or issue to third parties in any for  
 whatever is not permitted without written authority from the proprietor.  
 Property of c. BERG ELECTRONICS.  
 Copyright BERG ELECTRONICS by