

PRODUCT NO.  
72477-WXY1  
72477-WXY1LF

STANDARD LATCH

SHORT LATCH

COVER LATCH SIDE

OPTIONAL CODING KEYS

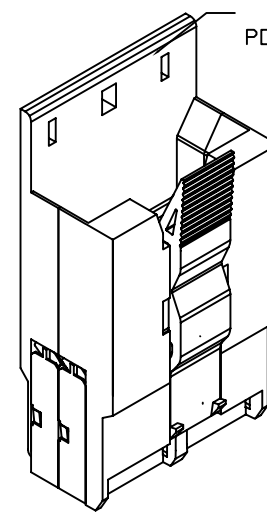
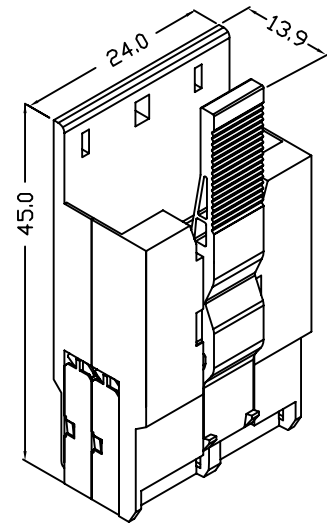
CONNECTOR SUB-ASSEMBLY

COVER NON-LATCH SIDE

PRODUCT NO.  
72477-W1Y1

PRODUCT NO.  
72477-W2Y1

CABLE TIE POSITION



STANDARD LATCH FINGER FOR CABLE TIE BELOW LATCH FINGER AND EASIEST ACCESS TO LATCH FINGER

SHORT LATCH FINGER FOR CABLE TIE ABOVE LATCH FINGER AND LARGER CABLE SIZE CAPACITY

mat'l. code				surface		tolerance		projection		product family	
SEE NOTES				ASME Y14.5		ASME Y14.5				METRAL CABLE	
ltr	ec'n no	dr	date	tolerances unless otherwise specified						title	
A	V71561	JRV	11/5/97	angles		X #3	MM		4X12 UNSHIELDED CABLE CONNECTOR KIT		
B	V12695	EPK	11/14/01			.XX #18					
C	V05-0599	VS	09/08/05	0° ±2'		.XXX #051	scale 1:1				
D	V06-0613	JRV	2006-06-22	dr	J.VOLSTROF	11/5/97			sheet 1 of 3 size		
				engr	J.VOLSTROF	11/5/97			dwg no		
				chr	J.VOLSTROF	11/5/97			72477		
				appd	J.VOLSTROF	11/5/97			type		
sheet index		revision sheet	D 1	D 2	D 3					CUSTOMER Drawing	

PRODUCT NO.  
72477-WXY1

NOTES:

1. SEE APPLICATION SPECIFICATION GS-20-002 FOR INSTRUCTIONS ON WIRE INSERTION AND ASSEMBLY OF COMPONENTS FOR CONNECTORS.
2. PLUGS INTO STANDARD METRAL 4-ROW HEADERS AND SHROUDS.
3. MAXIMUM CABLE DIAMETER  
STANDARD LATCH = 6.0mm  
SHORT LATCH = 9.0mm  
\* THE USE OF MULTIPLE CABLES OR THE STRIPPING OF THE CABLE JACKET WILL ALLOW THE USER TO OVERCOME SOME RESTRICTIONS.
4. THE PRODUCTS WHERE THE PART NUMBERS END IN LF MEET THE EUROPEAN UNION DIRECTIVES AND OTHER COUNTRY REGULATIONS AS DESCRIBED IN GS-22-008.
5. THESE PRODUCTS LISTED ON THIS DRAWING WILL NOT WITHSTAND WAVE SOLDER OR REFLOW OPERATIONS.
6. FOR LEADFREE PART NUMBERS, ADD AN 'LF' SUFFIX. EXAMPLE: 72477-WXY1LF

ORDERING INFORMATION FOR KITS AND PARTS  
EACH KIT (CONNECTOR) CONSISTS OF:  
2 CONNECTOR SUB-ASSEMBLIES  
1 COVER, NON-LATCH SIDE  
1 COVER, LATCH SIDE  
1 LATCH FINGER

ORDER KITS 72477-WXY1 WHERE

PLATING ON CONTACT AREA.

- W=1 FOR 0.8 um GOLD
- W=2 FOR 2.0 um GOLD
- W=3 FOR 1.3 um GOLD
- W=9 FOR 0.8 um GXT

LATCH FINGER SIZE

- X=1 FOR STANDARD LATCH FINGER
- X=2 FOR SHORT LATCH FINGER

COPPER WIRE SIZE

- Y=1 FOR 26 TO 24 GAGE
- Y=2 FOR 30 TO 28 GAGE

MATERIAL

INSULATORS, COVERS AND KEYS  
GLASS FILLED 612 POLYAMIDE (UL 94 V-0)  
LATCH FINGERS  
POLYETHERIMIDE (UL 94 V-0)  
CONTACTS  
PHOSPHOR BRONZE  
SnPb FINISH ON IDC DIMPLES

OPTIONAL CODING KEYS

PART NUMBER 72388-OAA1  
18 VARIETIES AA = 01 TO 18  
USE IN CONJUNCTIONS WITH HEADER CODING KEYS 70274-001 KEYS 1 TO 18 RESPECTIVELY

COMPONENT PART NUMBERS AND INFORMATION

CONNECTOR SUBASSEMBLY  
PART NUMBER 72394-W2Y1  
\* 2 REQUIRED PER CONNECTOR  
PLATING ON CONTACT AREA.  
W=1 FOR 0.8 um GOLD  
W=2 FOR 2.0 um GOLD  
W=3 FOR 1.3 um GOLD  
W=9 FOR 0.8 um GXT  
COPPER WIRE SIZE  
Y=1 FOR 26 TO 24 GAGE  
Y=2 FOR 30 TO 28 GAGE

COVER, LATCH SIDE                      COVER, NON-LATCH SIDE  
PART NUMBER 72513-0021              PART NUMBER 72513-0011  
SHORT LATCH FINGER                      STANDARD LATCH FINGER  
PART NUMBER 72389-0011              PART NUMBER 70289-001

mat'l. code		surface		tolerance		projection		product family	
SEE NOTES		ASME Y14.5		ASME Y14.5				METRAL CABLE	
ltr	ecn no	dr	date	tolerances unless otherwise specified		MM		title	
d				angles	X #3	←		4X12 UNSHIELDED	
				0° ±2'	.XX ±.B	→		CABLE CONNECTOR KIT	
					.XXX ±.051	scale 1:1		dwg no	
		dr	J.VOLSTROF		11/5/97			sheet 2 of 3	
		engr	J.VOLSTROF		11/5/97			72477	
		chr	J.VOLSTROF		11/5/97			size	
		appd	J.VOLSTROF		11/5/97			A4	
sheet	revision							type	
index	sheet							CUSTOMER Drawing	

PRODUCT NO.  
72477-WXY1LF

SEE NOTE 6

ORDERING INFORMATION FOR KITS AND PARTS  
EACH KIT (CONNECTOR) CONSISTS OF:  
2 CONNECTOR SUB-ASSEMBLIES  
1 COVER, NON-LATCH SIDE  
1 COVER, LATCH SIDE  
1 LATCH FINGER

ORDER KITS 72477-WXY1LF WHERE

PLATING ON CONTACT AREA.

- W=1 FOR 0.8 um GOLD
- W=2 FOR 2.0 um GOLD
- W=3 FOR 1.3 um GOLD
- W=9 FOR 0.8 um GXT

LATCH FINGER SIZE

- X=1 FOR STANDARD LATCH FINGER
- X=2 FOR SHORT LATCH FINGER

COPPER WIRE SIZE

- Y=1 FOR 26 TO 24 GAGE
- Y=2 FOR 30 TO 28 GAGE

MATERIAL

INSULATORS, COVERS AND KEYS

GLASS FILLED 612 POLYAMIDE (UL 94 V-0)

LATCH FINGERS

POLYETHERIMIDE (UL 94 V-0)

CONTACTS

PHOSPHOR BRONZE

SN SOLDER FINISH ON IDC DIMPLES (LEAD FREE)

OPTIONAL CODING KEYS

PART NUMBER 72388-OAA1LF

18 VARIETIES AA = 01 TO 18

USE IN CONJUNCTIONS WITH HEADER CODING

KEYS 70274-001 KEYS 1 TO 18 RESPECTIVELY

COMPONENT PART NUMBERS AND INFORMATION

CONNECTOR SUBASSEMBLY

PART NUMBER 72394-W2Y1LF

\* 2 REQUIRED PER CONNECTOR

PLATING ON CONTACT AREA.

- W=1 FOR 0.8 um GOLD
- W=2 FOR 2.0 um GOLD
- W=3 FOR 1.3 um GOLD
- W=9 FOR 0.8 um GXT

COPPER WIRE SIZE

- Y=1 FOR 26 TO 24 GAGE
- Y=2 FOR 30 TO 28 GAGE

COVER, LATCH SIDE

PART NUMBER 72513-0021LF

COVER, NON-LATCH SIDE

PART NUMBER 72513-0011LF

SHORT LATCH FINGER

PART NUMBER 72389-0011LF

STANDARD LATCH FINGER

PART NUMBER 70289-001LF

mat'l. code				surface		tolerance		projection		product family		
SEE NOTES				ASME Y14.5		ASME Y14.5				METRAL CABLE		
ltr	ecr no	dr	date	tolerances unless otherwise specified						title		
d				angles	leg	X #3		MM		4X12 UNSHIELDED		
				0' ±2'		.XX ±.B		scale 1:1		CABLE CONNECTOR KIT		
				dr	J.VOLSTROF	11/5/97				dwg no		
				engr	J.VOLSTROF	11/5/97				sheet 3 of 3		size
				chr	J.VOLSTROF	11/5/97				72477		A4
				appd	J.VOLSTROF	11/5/97				type		CUSTOMER Drawing
sheet	revision											
index	sheet											