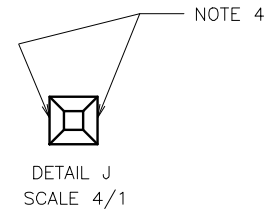
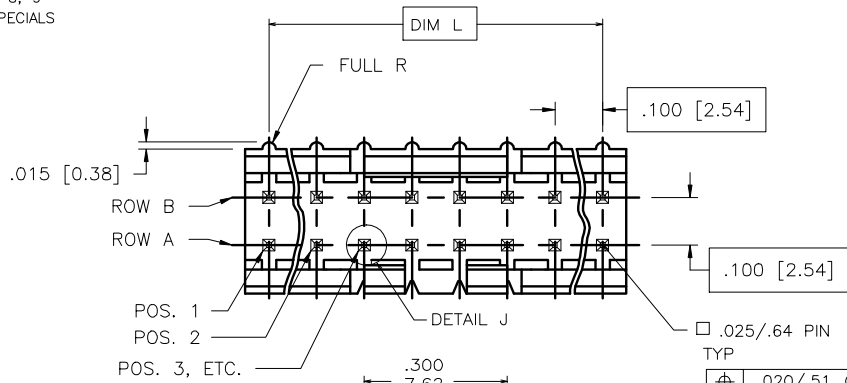
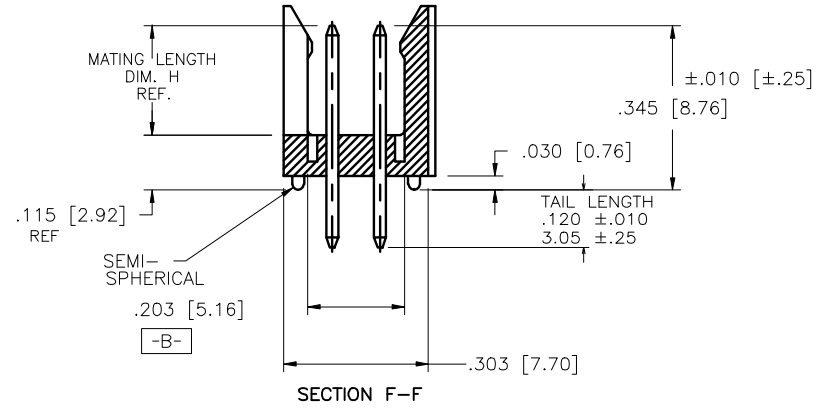
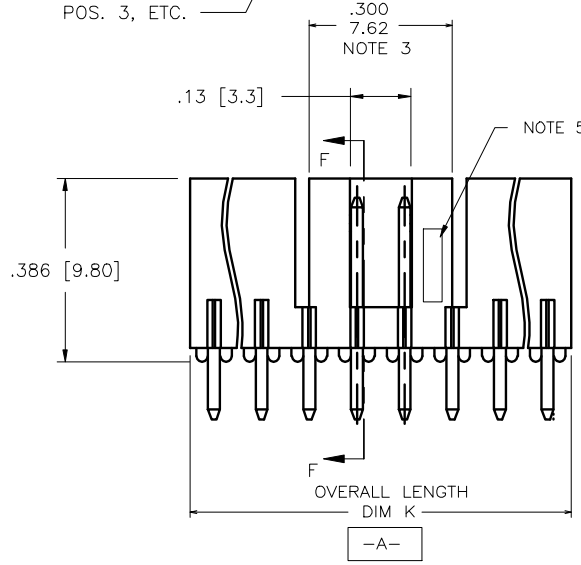



PRODUCT NUMBER  
69168-XYZHLF

- LEAD FREE OPTION  
SEE NOTE 7, 8, 9
- CUSTOMER SPECIALS  
SEE NOTE 6
- NO. OF POS.  
SEE TABLE
- PIN PLATING
- BASE P/N



□ .025/.64 PIN TYP  
⊕ .020/.51 (M) A (S) B (S)  
AT TIPS BOTH ENDS



|             |          |     |          |                                       |             |                    |   |                               |
|-------------|----------|-----|----------|---------------------------------------|-------------|--------------------|---|-------------------------------|
| mat'l. code |          |     |          | surface                               | tolerance   | projection         | product family  |                               |
|             |          |     |          | ISO 1302                              | ISO 406     | ISO 1101           | HEADER  |                               |
| ltr         | ecn no   | dr  | date     | tolerances unless otherwise specified |             |                    | title   |                               |
| E           | V71470   | HTB | 10/9/97  | angles                                | linear      | XXX±.01/XX±0.3     | FRICTION LATCH HEADER<br>DOUBLE ROW VERTICAL  |                               |
| F           | V71803   | HTB | 11/21/97 |                                       |             | XXX±.006/XX±0.13   |   |                               |
| G           | V03-0352 | GJP | 03/25/03 | 0'±2'                                 |             | XXX±.0020/XXX±0.05 | scale 3:1   |                               |
| H           | M05-0134 | ERE | 06/15/03 | dr                                    | L.SADERS    | 5/3/95             |  dwg no 69168 sheet 1 of 2 size A3 |                               |
| J           | M06-0256 | MHT | 9/07/06  | engr                                  | L.FYE       | 5/3/95             |   |                               |
| K           | M08-0023 | MHT | 1/28/08  | chr                                   | T.BREWBAKER | 5/3/95             |   |                               |
| L           | M08-029  | MHT | 10/06/08 | appd                                  | L.FYE       | 5/3/95             |   |                               |
| sheet       | revision | L   | L        |                                       |             |                    |   | type Product Customer Drawing |
| index       | sheet    | 1   | 2        |                                       |             |                    |   |                               |



Copyright FCI

form A3

| PRODUCT NUMBER | NO.OF POS. | MATING LENGTH DIM H | OVERALL LENGTH DIM K | DIM L       | NOTES  |
|----------------|------------|---------------------|----------------------|-------------|--------|
| 69168-X06      | 2 X 3      | 0.230/5.84          | 0.300/7.62           | 0.200/5.08  |        |
| -X08           | 2 X 4      | 0.230/5.84          | 0.400/10.16          | 0.300/7.62  |        |
| -X08A          | 2 X 4      | 0.210/5.33          | 0.400/10.16          | 0.300/7.62  | NOTE 6 |
| -X10           | 2 X 5      | 0.230/5.84          | 0.500/12.70          | 0.400/10.16 |        |
| -X10A          | 2 X 5      | 0.210/5.33          | 0.500/12.70          | 0.400/10.16 | NOTE 6 |
| -X12           | 2 X 6      | 0.230/5.84          | 0.600/15.24          | 0.500/12.70 |        |
| -X14           | 2 X 7      | 0.230/5.84          | 0.700/17.78          | 0.600/15.24 |        |
| -X16           | 2 X 8      | 0.230/5.84          | 0.800/20.32          | 0.700/17.78 |        |
| -X16A          | 2 X 8      | 0.210/5.33          | 0.800/20.32          | 0.700/17.78 | NOTE 6 |
| -X18           | 2 X 9      | 0.230/5.84          | 0.900/22.86          | 0.800/20.32 |        |
| -X18A          | 2 X 9      | 0.210/5.33          | 0.900/22.86          | 0.800/20.32 | NOTE 6 |
| -X20           | 2 X 10     | 0.230/5.84          | 1.000/25.40          | 0.900/22.86 |        |
| -X22           | 2 X 11     | 0.230/5.84          | 1.100/27.94          | 1.000/25.40 |        |
| -X24           | 2 X 12     | 0.230/5.84          | 1.200/30.48          | 1.100/27.94 |        |
| -X26           | 2 X 13     | 0.230/5.84          | 1.300/33.02          | 1.200/30.48 |        |
| -X28           | 2 X 14     | 0.230/5.84          | 1.400/35.56          | 1.300/33.02 |        |
| 69168-X30      | 2 X 15     | 0.230/5.84          | 1.500/38.10          | 1.400/35.56 |        |

NOTES:

- MOLDING MAT'L: GLASS REINFORCED PCT, COLOR: BLACK  
FLAME RETARDANT PER UL 94 V-0  
MAXIMUM OPERATING TEMPERATURE: 130° C  
OR  
MINERAL FILLED LCP, COLOR BLACK  
FLAME RETARDANT PER UL 94 V-0
- PIN MATERIAL: 3/4 HD PHOS. BRZ.
- NO SLOTS ON 2 X 5 POSITION OR SMALLER PRODUCT. THE CENTER KEY SLOT WILL BE ON ALL HEADERS REGARDLESS OF SIZE.
- TWO NON-CRITICAL SIDES OF PIN TIP NOT PLATED, BOTH ENDS.
- COMPANY LOGO MAY APPEAR IN THIS AREA.
- CUSTOMER SPECIAL -- "A" SUFFIX INDICATES 0.210/5.33 MATING LENGTH.
- ADD "HLF" SUFFIX AT THE END OF PART NUMBER FOR LEAD FREE OPTION, NOT AVAILABLE FOR -5YY, -5YYH, -6YY & -6YYH.
- PART NUMBERS WITH "H" SUFFIX WILL WITHSTAND EXPOSURE TO 260°C PEAK TEMPERATURE FOR 20 SECONDS IN WAVE SOLDER, INFRA-RED OR VAPOR PHASE SOLDER PROCESS.  
  
PART NUMBERS WITHOUT "H" SUFFIX WILL WITHSTAND EXPOSURE TO 260°C PEAK TEMPERATURE FOR WAVE SOLDER PROCESS.
- THIS PRODUCT MEETS EUROPEAN UNION DIRECTIVES AND OTHER COUNTRY REGULATION AS DESCRIBED IN GS-22-008.
- PLATING OPTIONS: MAY BE EITHER GOLD OR GXT PLATED AT MANUFACTURER'S OPTION.
- "THIS PRODUCT HAS 100% TIN PLATING IN THE INTERFACE AND HAS NOT BEEN TESTED FOR WHISKER GROWTH IN ALL INTERCONNECT ENVIRONMENTS."

PIN PLATING CODES

|         |  |
|---------|--|
| -1YY    | 30u"/.76u (SEE NOTE 10) 50u"/1.27u Ni          |
| -2YY    | 15u"/.38u (SEE NOTE 10) 50u"/1.27u Ni          |
| -3YY    | 50u"/1.27u Au 50u"/1.27u Ni                    |
| -4YY    | 100u"/2.54u MIN Sn 50u"/1.27u Ni (SEE NOTE 11) |
| -4YYHLF |  |
| -5YY    | 15u"/.38u (SEE NOTE 10) 50u"/1.27u Ni          |
| -6YY    | 30u"/.76u (SEE NOTE 10) 50u"/1.27u Ni          |
| -7YY    | 30u"/.76u Au OVER 50u"/1.27u Ni                |
| -8YY    | 15u"/.38u Au OVER 50u"/1.27u Ni                |

|             |  |                                       |                            |                    |                        |
|-------------|--|---------------------------------------|----------------------------|--------------------|------------------------|
| mat'l. code |  | surface ISO 1902                      | tolerance ISO 406 ISO 1101 | projection         | product family         |
| ltr         |  | ecn no                                | dr                         | date               | HEADER                 |
| L           |  | tolerances unless otherwise specified |                            |                    | title                  |
|             |  | angles                                | linear                     | linear             | FRICITION LATCH HEADER |
|             |  | 0'±2'                                 | .XX±.01/XX±0.3             | .XXX±.006/XXX±0.13 | DOUBLE ROW VERTICAL    |
|             |  |                                       | .XXX±.0020/XXX±0.05        | scale 3:1          | dwg no                 |
|             |  | dr                                    | L.SADERS                   | 5/3/95             | sheet 2 of 2 size      |
|             |  | engr                                  | L.FYE                      | 5/3/95             | 69168                  |
|             |  | chr                                   | T.BREWBAKER                | 5/3/95             | A3                     |
|             |  | appd                                  | L.FYE                      | 5/3/95             | type                   |
| sheet       |  | Product Customer Drawing              |                            |                    |                        |
| index       |  | revision                              |                            |                    |                        |
|             |  | sheet                                 |                            |                    |                        |