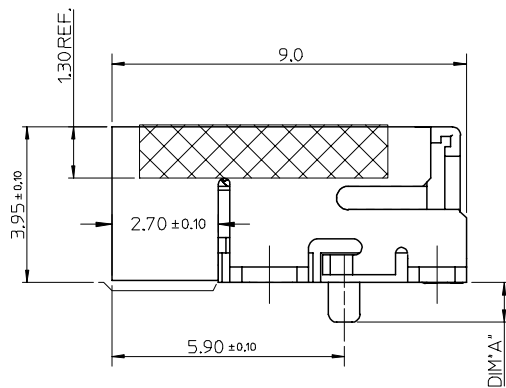
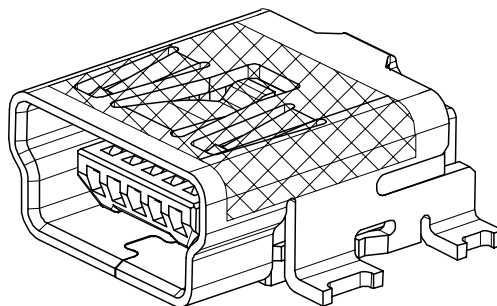


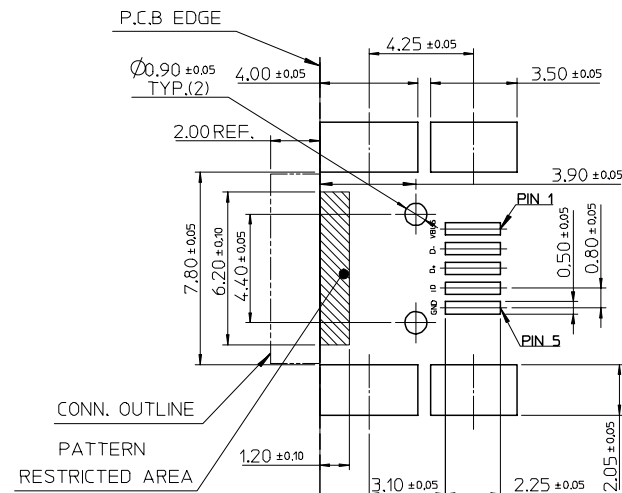
TABLE:

PRODUCT NO.	PACKAGE DOCUMENT	DIM*A"
67503-1020	PK-67503-002	1.00
67503-2020	PK-67503-003	1.00
67503-1030	PK-67503-002	0.80



NOTE :

- MATERIAL :
 HOUSING : NYLON GLASS FILLED , BLACK,UL94V-0
 TERMINAL : COPPER ALLOY THICKNESS = 0.2 MM
 SHIELD CASE : COPPER ALLOY THICKNESS = 0.4 MM
- PLATING :
 TERMINAL:
 CONTACT AREA : GOLD 0.75 MICROMETER MINIMUM.
 SOLDER TAIL AREA : PURE TIN 1~3 MICROMETER PLATING.
 UNDER PLATING : NICKEL 1.25 MICROMETER MINIMUM.
 SHIELD CASE :
 PURE TIN 1~3 MICROMETER PLATING.
 UNDER PLATING : NICKEL 1.0 MICROMETER MINIMUM.
- TAIL & NAIL COPLANARITY 0.1 mm MAXIMUM.
- PRODUCT SPECIFICATION REFER TO PS-67803-001.
- PACKAGING INFORMATION REFER TO TABLE.



RECOMMENDED P.C.B. PATTERN LAYOUT

ADD MATERIAL NUMBER	2005/10/31	QUALITY SYMBOLS	GENERAL TOLERANCES (UNLESS SPECIFIED)
EC NO: SH2006-0191	2005/10/31	▽=0	mm INCH
DRWN:X/SONG	2005/10/31	▽C=0	4 PLACES ± --- ± ---
CHKD:			3 PLACES ± --- ± ---
APPR:GCHEN	2005/11/08		2 PLACES ± 0.25 ± ---
			1 PLACE ± 0.25 ± ---
			ANGULAR ± 3 °

DESCRIPTION	DIMENSION STYLE	SCALE	DESIGN UNITS	THIRD ANGLE PROJECTION
	MM ONLY	8:1	METRIC	
	DRAWN BY	DATE	TITLE	
	XWANG	2004/11/29	USB SERIES MINI-B REC.	
	CHECKED BY	DATE	ASS'Y SMT TYPE	
	HARVEY	2004/11/29	(LEAD FREE)	
	APPROVED BY	DATE	MOLEX INCORPORATED	
	YTYAP	2004/11/29		
	MATERIAL NO.	DOCUMENT NO.	SHEET NO.	
	SEE TABLE	SD-67503-010	1 OF 1	
DRAFT WHERE APPLICABLE MUST REMAIN WITHIN DIMENSIONS	SIZE	THIS DRAWING CONTAINS INFORMATION THAT IS PROPRIETARY TO MOLEX INCORPORATED AND SHOULD NOT BE USED WITHOUT WRITTEN PERMISSION		
	A3			