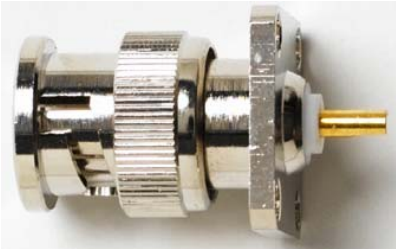
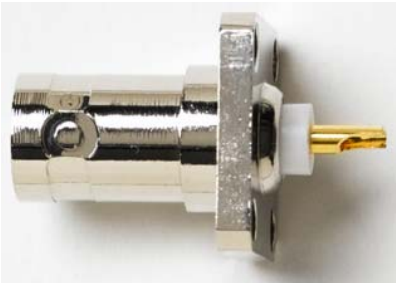


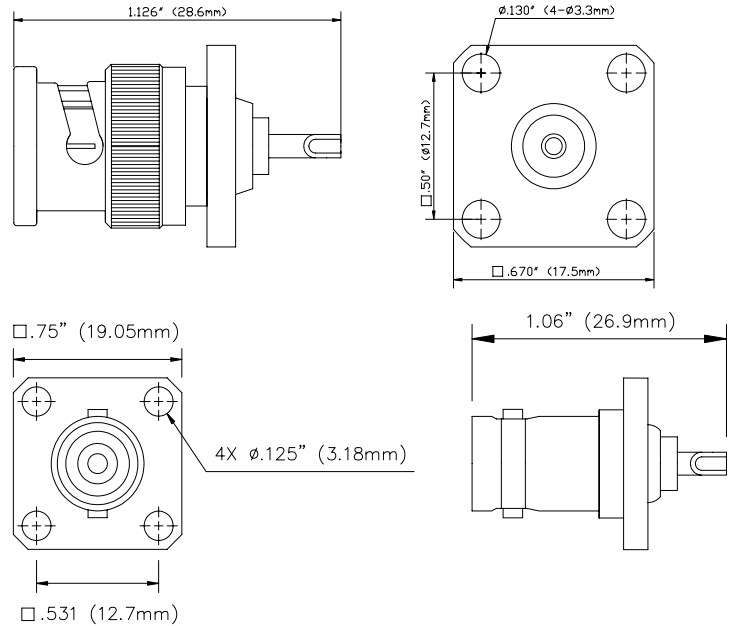
**Models 6735, 6736
BNC (M), BNC (F) Panel Mount 75 Ω (0.5" spacing)**



Model 6735 BNC (M) Panel Mount



Model 6736 BNC (F) Panel Mount



Use for your 75 Ω panel mount broadcast applications.

Features

U-shaped solder cup eases solder installation. Precision machined. Gold plated contacts. PTFE (not delrin)

Materials

- Body is machined brass with tarnish resistant nickel plating (not die cast).
- Male center pin contacts are gold plated (20 micro inches) brass. Female center contacts: Gold plated heat treated beryllium copper.
- High quality machined PTFE dielectric.

Ordering Information

Model: 6735 75 Ω BNC (M) Panel Mount with 0.5" spacing.

Specifications

Nominal impedance	75 Ω
Frequency	0-3 GHz
VSWR	1.10 max. 0-1 GHz 1.35 max. 1-3 GHz
Center contact resistance	1.5 mΩ
Insulation resistance	5000 MΩ
Number of insertions	500
Ratings: Voltage: 500 Vrms Operating temperature: -85 °F to +131 °F (-65 °C to +155 °C) Max.	

USA: Sales: 800-490-2361 Technical Support: 800-241-2060 Fax: 888-403-3360

Europe: 31-(0) 40 2675 150 International: 425-446-5500

e-mail: technicalsupport@pomonatest.com

Where to Buy: www.pomonaelectronics.com

All dimensions are in inches. Tolerances (except noted): .xx = ±.02" (.51 mm), .xxx = ±.005" (.127 mm). All specifications are to the latest revisions. Specifications are subject to change without notice. Registered trademarks are the property of their respective companies.