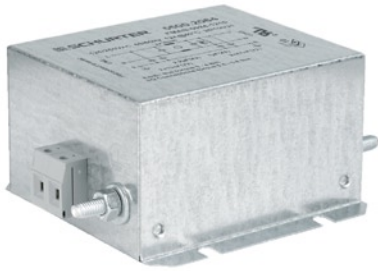


1-stage filter for 1-phase systems, broad band attenuation



Description

- Chassis: Screw-on, from top
- Line-filter in standard version, 1-stage, high attenuation
- Very high symmetrical and asymmetrical attenuation loss in the frequency range from 10kHz up to 30MHz

Approvals

- VDE License Number: 40004673
- UL License Number: E72928

Characteristics

- Designed for high current applications
- High attenuation at maximum resp. asymmetric load independent from the line impedance
- Special design for industrial application as: Frequency Converters, Stepper Motor Drives, UPS-Systems, Inverters
- Qualified for use in equipment according IEC/EN 60950

References

[General Product Information](#)

Weblinks

[Approvals, RoHS, CHINA-RoHS, e-Store, SCHURTER-Stock-Check, Distributor-Stock-Check](#)

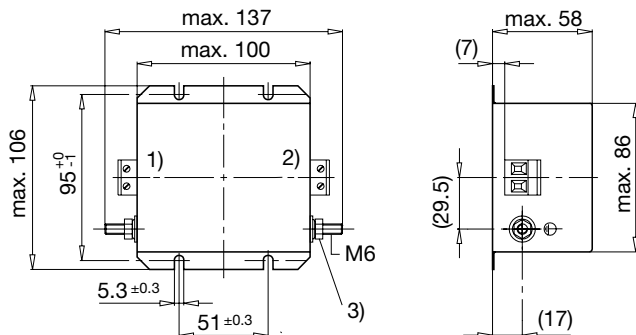
Technical Data

Ratings IEC	12 - 30A @ Ta 40 °C / 250VAC; Hz 50
Ratings UL/CSA	12 - 30A @ Ta 40 °C / 125VAC; 60Hz
Leakage Current	industrial < 5.2mA (250V / 60Hz)
Dielectric Strength	> 1.7kVDC between L-N
	> 2.7kVDC between L/N-PE Test voltage (2 sec)
Allowable Operation Temp.	-25 °C to 100 °C
Climatic Category	25/100/21 acc. to IEC 60068-1
Protection Class	Suitable for appliances with protection class I acc. to IEC 61140
Terminal	Screw
Material: Housing	Metal

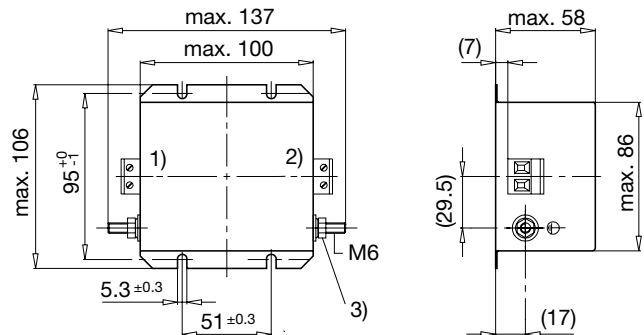
Line Filter	Industrial Version, IEC 60939, IEC 60601-1, UL 1283, UL 544, EN 133 200, CSA C22.2 no. 8 Technical details
MTBF	> 200'000h acc. to MIL-HB-217 F

Dimensions

Case 24-2

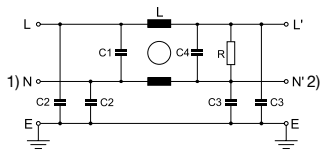


Case 24-6



- 1) Line
- 2) Load
- 3) Nut torque 3...4 Nm

Diagrams



- 1) Line
- 2) Load

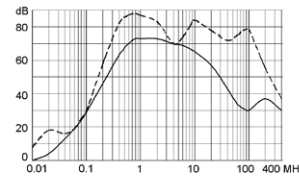
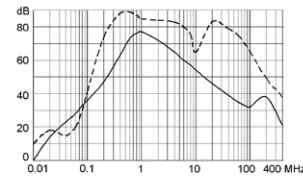
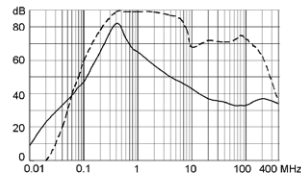
Attenuation Loss

--- differential mode ____ common mode

Industrial Version
12 A

20 A

30 A



Variants

[Distributor-Stock-Check](#) | [SCHURTER-Stock-Check](#) | [e-Store](#)

Rated Current [A]	Filter-Type	Leakage Current [mA]	L [mH]	C1 (X2)	C2 (Y2)	C3 (Y2)	C4 (X2)	R [MΩ]	Clamps [mm ²]	Weight [g]	Case	Order Number
12	Industrial Version	5.2	2 x 10	2.2	10	47	1	1	4	927	24-2	5500.2064
20	Industrial Version	5.2	2 x 3.5	2.2	10	47	1	1	4	930	24-2	5500.2065
30	Industrial Version	5.6	2 x 1.5	2.2	15	47	1	1	6	970	24-6	5500.2066

Packaging unit 2 Pcs