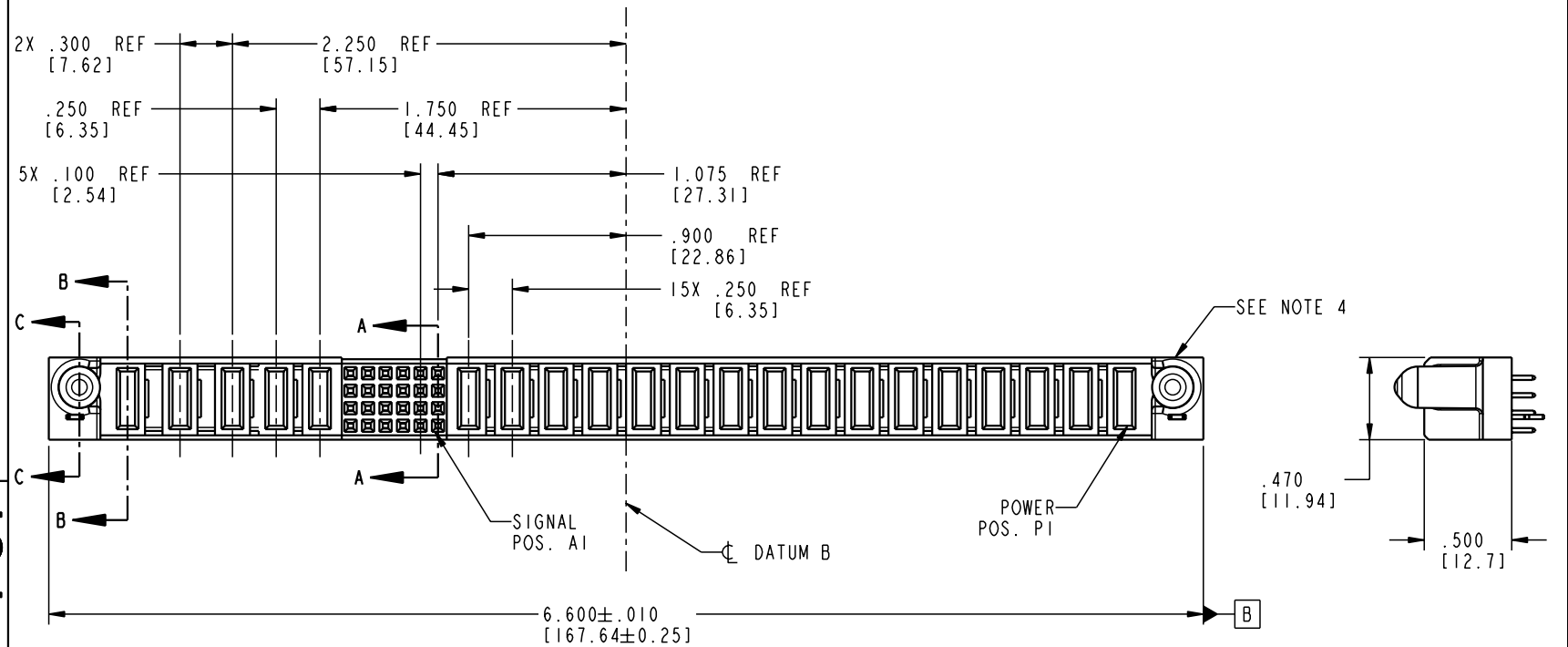


Tous droits strictement réservés. Reproduction ou communication o des liens interdite sous quelque forme que ce soit sans autorisation écrite du propriétaire. Propriété de c FCI. Droits de reproduction FCI.

All rights strictly reserved. Reproduction or issue to third parties in any form whenever is not permitted without written authority from the proprietor. Property of FCI. Copyright FCI.

PRODUCT NO.	ROWS	POWER					SIGNAL					POWER																		
		E2	P21	P20	P19	P18	P17	6	5	4	3	2	1	P16	P15	P14	P13	P12	P11	P10	P9	P8	P7	P6	P5	P4	P3	P2	P1	E1
51940-021	D C B A		PA	PA	PD	PA	PA	E	E	E	E	E	E	PA	PA	PA	PA	PA	PA	PA	PA	PA	PA	PA	PA	PA	PA	PA	PA	



CODE	DIM "M" MATING LENGTH	CONTACT TYPE
E	N/A [N/A]	SIGNAL
PA	.042 [1.07]	POWER
PD	.092 [2.34]	POWER
HA	N/A [N/A]	HOLD-DOWN

mat'l code				SEE NOTE 2		tolerances unless otherwise specified		CUSTOMER		 www.fciconnect.com	
ltr	ecn no.	dr	date	linear	.XX±.01/0.X±0.3		COPY		 INCH/MM		
A	V21557	CGD	09/30/02		.XXX±.005/0.XX±0.13		projection				
				angles	.XXX±.0020/0.XXX±0.051		 scale 1:1		title 16P + 24S + 2P + 3ACP VERTICAL SOLDER RECEPT product family PwrBlade code 213 size dwg no A 51940-021 sheet 1 of 4		
sheet index		revision sheet	A A A A	A A A A	dr C. DAILY 09/30/02 engr M. MOSTOLLER 09/30/02 chr M. MOSTOLLER 09/30/02 appd M. MOSTOLLER 09/30/02				cage code 22526		

Tous droits strictement réservés. Reproduction ou communication a des tiers interdite sous quelque forme que ce soit sans autorisation écrite du propriétaire. Propriété de c FCI. Droits de reproduction FCI.

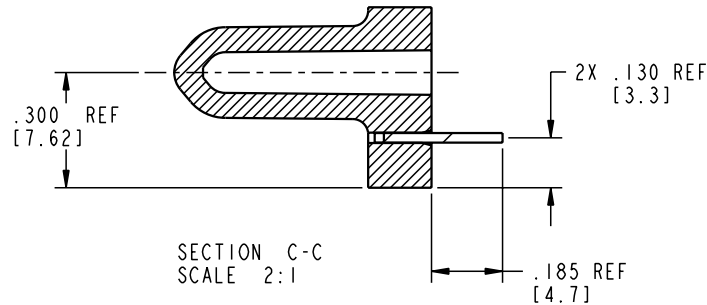
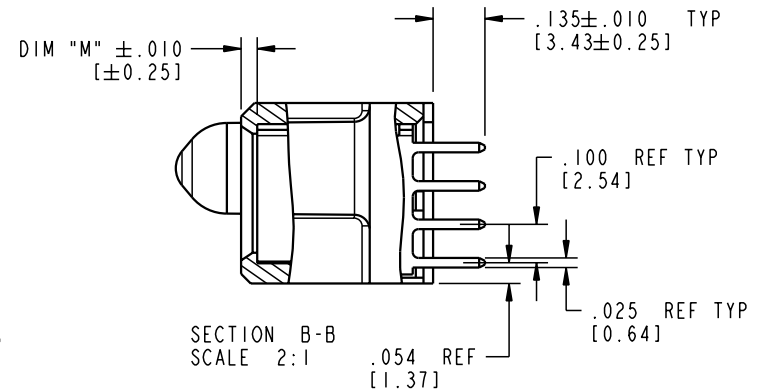
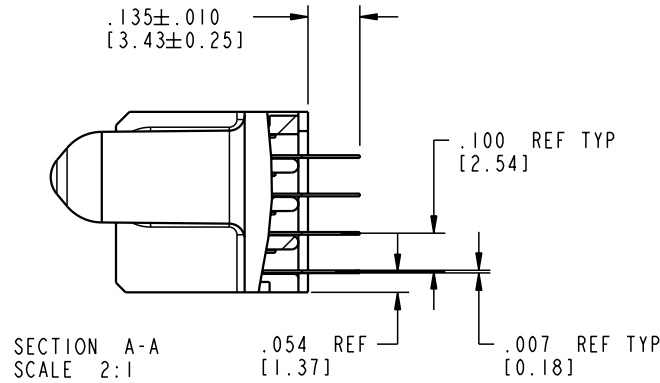
A
FCI

All rights strictly reserved. Reproduction or issue to third parties in any form whatever is not permitted without written authority from the proprietor. Property of FCI. Copyright FCI.

A

A

PRODUCT NUMBER
51940-021



mat'l code				SEE NOTE 2		tolerances unless otherwise specified		CUSTOMER		A FCI www.fciconnect.com	
ltr	ecm no.	dr	date	linear	.XX±.01/0.X±0.3	projection	COPY		title 16P + 24S + 2P + 3ACP VERTICAL SOLDER RECEIPT		
A				angles	.XXX±.005/0.XX±0.13 .XXX±.0020/0.XXX±0.051		INCH/MM		product family PwrBlade		code 213
				dr	C. DAILY 09/30/02	scale 1:1		size		sheet 2 of 4	
				engr	M. MOSTOLLER 09/30/02			A		51940-021	
				chr	M. MOSTOLLER 09/30/02						
				appd	M. MOSTOLLER 09/30/02						
sheet index		revision sheet									

B

B

1 | 2

Pro/E

3 |

cage code 22526

4

PDM: Rev:A

STATUS: **Released**

Printed: Aug 14, 2007

Tous droits strictement réservés. Reproduction ou communication o des tiers interdite sous quelque forme que ce soit sans autorisation écrite du propriétaire. Propriété de c FCI. Droits de reproduction FCI.

All rights strictly reserved. Reproduction or issue to third parties in any form whatever is not permitted without written authority from the proprietor. Property of FCI. Copyright FCI.

PRODUCT NUMBER
51940-021

51940-021

6.300
[160.02]

DIM XXX
SEE NOTE 9

2X .300
[7.62]

2.250
[57.15]

.250
[6.35]

2.000
[50.8]

5X .100
[2.54]

1.075
[27.31]

.900
[22.86]

.100 TYP
[2.54]

2X .250
[6.35]

.610
[15.49]
SEE NOTE 10

X

Y

Z

.128
[3.25]

.050 TYP
[1.27]

.100 TYP
[2.54]

SEE NOTE 10
4 SIDES

2X .205
[5.21]

3.315 SEE NOTE 10
[84.2]

PCB LAYOUT
AND DATUM B ϕ


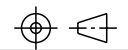
6.630 SEE NOTE 10
[168.4]

$\phi .040 \pm .003$ TYP
[1.02 \pm 0.07]
SEE NOTE 8

$\phi .004$ [0.1] X Y Z

2X $\phi .098 \pm .003$
[2.49 \pm 0.07]
SEE NOTE 7

$\phi .004$ [0.1] X Y Z

mat'l code				SEE NOTE 2		tolerances unless otherwise specified		CUSTOMER		 www.fciconnect.com	
ltr	ecr no.	dr	date	linear	.XX \pm .01 / 0.X \pm 0.3	projection		COPY		title	
A				angles	.XXX \pm .005 / 0.XX \pm 0.13					16P + 24S + 2P + 3ACP VERTICAL SOLDER RECEPT	
				dr	.XXXX \pm .0020 / 0.XXX \pm 0.051	INCH/MM		product family		code	
				enr	$0^\circ \pm 2^\circ$	scale		PwrBlade		213	
				chr		1:1		size		sheet	
				appd				A		3 of 4	
sheet index		revision sheet									

cage code 22526

Pro/E

Tous droits strictement réservés. Reproduction ou communication o des tiers interdite sous quelque forme que ce soit sans autorisation écrite du propriétaire. Propriété de c FCI. Droits de reproduction FCI.



All rights strictly reserved. Reproduction or issue to third parties in any form, whatever is not permitted without written authority from the proprietor. Property of FCI. Copyright FCI.

PRODUCT NUMBER
51940-021

NOTES:

1. DIMENSIONS AND TOLERANCES ARE IN ACCORDANCE WITH ASME Y14.5M, 1994 UNLESS OTHERWISE SPECIFIED.

CONNECTOR NOTES:

- 2 HOUSING MATERIAL: UL 94 V-0 GLASS FILLED
HIGH-TEMP THERMOPLASTIC
POWER CONTACT MATERIAL: COPPER ALLOY
SIGNAL PIN MATERIAL: COPPER ALLOY
- 3. PLATING:
SIGNAL PINS: 30u"/0.76um Au OVER 50u"/1.27um Ni
POWER CONTACTS: 50u"/1.27um Ni UNDER ALL
WITH 30u"/0.76um Au ON CONTACT AREA
AND SnPb ON PCB INTERFACE

4 MANUFACTURER'S NAME, P/N, AND DATE CODE TO APPEAR ON THIS SURFACE.

5. PRODUCT SPECIFICATION GS-12-149.
APPLICATION SPECIFICATION BUS-20-067.

PCB NOTES:

- 6. ALL HOLE DIAMETERS ARE FINISHED HOLE SIZE.
- 7. MOUNTING HOLES, WHERE APPLICABLE, ARE UNPLATED.

8 $\varnothing .0453 \pm .0010$ [1.151 ± 0.025] DRILLED HOLES PLATED WITH
.0003 [0.008] MIN SnPb OVER .001 [0.03]
TO .003 [0.08] Cu PLATING TO ACHIEVE
 $\varnothing .040 \pm .003$ [1.02 ± .07] HOLE.

9 "DIM XXX" TO BE DETERMINED BY THE CUSTOMER.

10 CONNECTOR KEEP-OUT ZONE.

mat'l code				SEE NOTE 2		tolerances unless otherwise specified		CUSTOMER		www.fciconnect.com	
ltr	ecr no.	dr	date	linear	.XX±.01/0.X±0.3		COPY				
A					.XXX±.005/0.XX±0.13		INCH/MM				
				angles	.XXX±.0020/0.XXX±0.051		scale		title 16P + 24S + 2P + 3ACP VERTICAL SOLDER RECEPT		
				dr	C. DAILY	09/30/02	1:1		product family		code
				enr	M. MOSTOLLER	09/30/02			PwrBlade		213
				chr	M. MOSTOLLER	09/30/02			size		sheet
				appd	M. MOSTOLLER	09/30/02			A 51940-021		4 of 4
sheet index		revision sheet									

1 | 2

Pro/E

3 |

cage code 22526

4