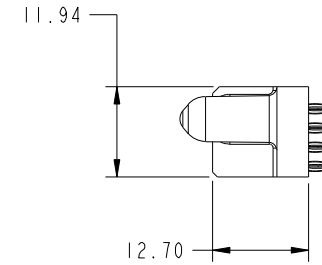
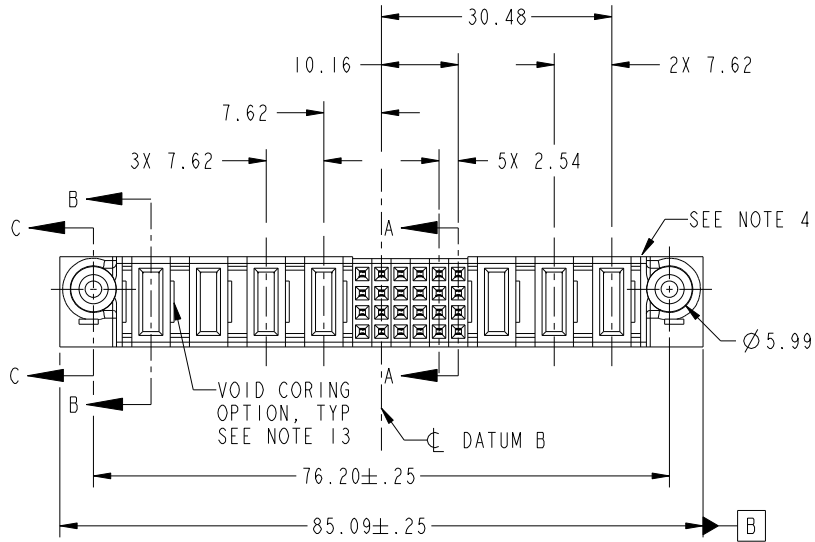


Tous droits strictement réservés. Reproduction ou communication a des tiers interdite sous quelque forme que ce soit sans autorisation écrite du propriétaire. Propriété de c.FCI. Droits de reproduction FCI.

All rights strictly reserved. Reproduction or issue to third parties in any form whatever is not permitted without written authority from the proprietor. Property of FCI. Copyright FCI.



PRODUCT NO. 51940-010-- NOTE: 3	ROWS D C B A	POWER				SIGNAL					POWER					
		E2	P7	P6	P5	P4	6	5	4	3	2	1	P3	P2	P1	E1



CODE	DIM "M" MATING LENGTH	CONTACT TYPE
F	[N/A]	SIGNAL
PC	[1.07]	POWER
PF	[2.34]	POWER

mat'l code				SEE NOTE		tolerances unless otherwise specified		CUSTOMER		 www.fciconnect.com	
lir	ecn no.	dr	date	linear	0.X ± 0.5	COPY		projection		title	
A	V20788	JWS	04-23-02		0.XX ± 0.25	MM				3P + 24S + 4P	
B	DG05-0338	SJ	09/19/05	angles	0.XXX ± 0.10	scale		1:1		VERTICAL PRESS FIT RECEPTACLE	
C	DG07-0498	JW	09/12/08	dr	0° ± 2°					product family	
				engr	J. SHAFFER 04-23-02					PwrBlade	
				chr	M. MOSTOLLER 04-23-02					code	
				appd	M. MOSTOLLER 04-23-02					213	
sheet index		revision sheet		C C		C C		A		1 of 4	
		1 2		3 4				51940-010			

A

A

B

B

1 | 2

3

4

Pro/E

PDM: Rev: C

STAT: Released

Printed: Sep 26, 2008

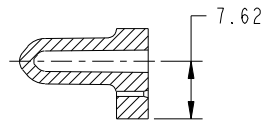
cage code 2856

Tous droits strictement reserves. Reproduction ou communication a des tiers interdite sous quelque forme que ce soit sans autorisation ecrite du proprietaire. Propriete de c.FCI. Droits de reproduction FCI.

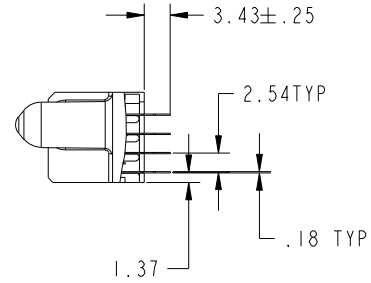


All rights strictly reserved. Reproduction or issue to third parties in any form whatever is not permitted without written authority from the proprietor. Property of FCI. Copyright FCI.

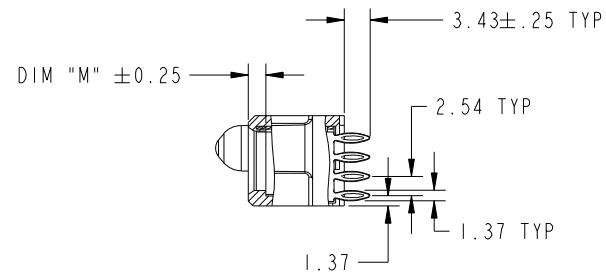
PRODUCT NUMBER  
51940-010--  
NOTE: 3



SECTION C-C



SECTION A-A



SECTION B-B

mat'l code		SEE NOTE		tolerances unless otherwise specified		CUSTOMER		 www.fciconnect.com	
lir	ecn no.	dr	date	linear	0.X ± 0.5	COPY		title	
C					0.XX ± 0.25	projection		3P + 24S + 4P	
				angles	0.XXX ± 0.10			VERTICAL PRESS FIT RECEPTACLE	
					0° ± 2°			product family	
				dr	J. SHAFFER 04-23-02	MM		PwrBlade	
				enrg	M. MOSTOLLER 04-23-02			code	
				chr	M. MOSTOLLER 04-23-02	1:1		213	
				appd	M. MOSTOLLER 04-23-02	A		sheet	
sheet index	revision sheet					51940-010		2	

A

A

B

B

1 | 2

3

4

1 | 2

Pro/E

PDM: Rev: C

STAT: Released

Printed: Sep 26, 2008

cage code 2856

4

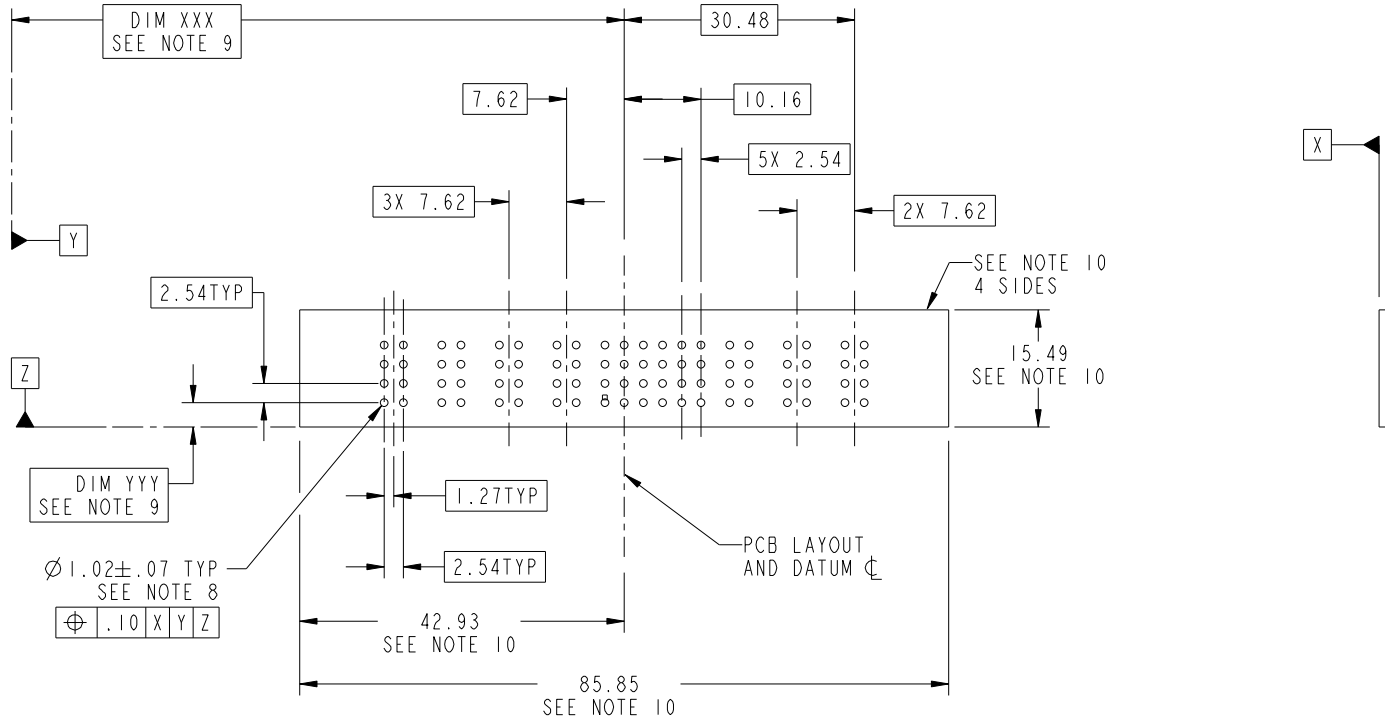
Tous droits strictement reserves. Reproduction ou communication a des tiers interdite sous quelque forme que ce soit sans autorisation ecrite du proprietaire. Propriete de c.FCI. Droits de reproduction FCI.



All rights strictly reserved. Reproduction or issue to third parties in any form whatever is not permitted without written authority from the proprietor. Property of FCI. Copyright FCI.

PRODUCT NUMBER

51940-010--  
NOTE: 3



mat'l code		SEE NOTE		tolerances unless otherwise specified		CUSTOMER		www.fciconnect.com	
lir	ecn no.	dr	date	linear	0.X ±0.5	COPY		title	
C				linear	0.XX ±0.25	projection		3P + 24S + 4P	
				angles	0.XXX ±0.10			VERTICAL PRESS FIT RECEPTACLE	
				angles	0° ±2°			product family	
				dr	J. SHAFFER 04-23-02	MM		PwrBlade	
				enrg	M. MOSTOLLER 04-23-02	scale		code	
				chr	M. MOSTOLLER 04-23-02	1:1		213	
				appd	M. MOSTOLLER 04-23-02			sheet	
sheet index		revision sheet						3	
								A 51940-010	

cage code 2856

Pro/E

PDM: Rev: C

STATUS: Released

Printed: Sep 26, 2008

Tous droits strictement reserves. Reproduction ou communication a des tiers interdite sous quelque forme que ce soit sans autorisation écrite du propriétaire. Propriete de c.FCI. Droits de reproduction FCI.

All rights strictly reserved. Reproduction or issue to third parties in any form whatever is not permitted without written authority from the proprietor. Property of FCI. Copyright FCI.



1 | 2

3

4

PRODUCT NUMBER  
51940-010--  
NOTE: 3

NOTES:

1. DIMENSIONS AND TOLERANCES ARE IN ACCORDANCE WITH ASME Y14.5M, 1994 UNLESS OTHERWISE SPECIFIED.

CONNECTORS NOTES:

② HOUSING MATERIAL: UL 94 V-0 GLASS FILLED HIGH-TEMP THERMOPLASTIC  
POWER CONTACT MATERIAL: COPPER ALLOY  
SIGNAL PIN MATERIAL: COPPER ALLOY

⚠③ PLATING:  
SEE ITEM 7 & 8 IN PRINT 10064183 FOR PLATING SPEC OF 51940-010; 51940-010LF PRESPECTIVELY

④ MANUFACTURER'S NAME, P/N, AND DATE CODE TO APPEAR ON THIS SURFACE.

⑤ PRODUCT SPECIFICATION GS-12-149.  
APPLICATION SPECIFICATION BUS-20-067

PCB - NOTES:

⑥ ALL HOLE DIAMETERS ARE FINISHED HOLE SIZE.

7. MOUNTING HOLES, WHERE APPLICABLE, ARE UNPLATED.

⑧  $\varnothing 1.151 \pm 0.025$  DRILLED HOLES PLATED WITH) 0.008 MIN SnPb OR Sn OVER 0.03 TO 0.08 Cu PLATING TO ACHIEVE  $\varnothing 1.02 \pm .07$  HOLE.

9. "DIM XXX" AND "DIM YYY" TO BE DETERMINED BY THE CUSTOMER.

10. CONNECTOR KEEP-OUT ZONE.

12. A ⚠ SYMBOL WILL BE NEXT TO ANY DIMENSION, VIEW, OR NOTE WHICH HAS BEEN MODIFIED WITH THE CURRENT DRAWING REVISION.

13. THE VOID CORING IN BETWEEN POWER MODULES, SIGNAL MODULES AND END MODULES ARE OPTIONAL AND THE SHAPE MAY BE DIFFERENT FOR OPTIMIZING THE MOLDING PROCESS. THE VOID CORING WILL NOT EFFECT TO PRODUCT FUNCTION.

mat'l code				SEE NOTE		tolerances unless otherwise specified		CUSTOMER		 www.fciconnect.com	
lir	ecn no.	dr	date	linear	0.X ±0.5		COPY		 title 3P + 24S + 4P VERTICAL PRESS FIT RECEPTACLE		
C					0.XX ±0.25		projection				
					0.XXX ±0.10		 MM				
				angles	0° ±2°		scale		product family PwrBlade		code
				dr	J. SHAFFER	04-23-02	1:1		size	dwg no	213
				enrg	M. MOSTOLLER	04-23-02			A	51940-010	sheet
				chr	M. MOSTOLLER	04-23-02			4		
				appd	M. MOSTOLLER	04-23-02					
sheet index	revision sheet										

1 | 2

Pro/E

PDM: Rev: C

STAT: Released

Printed: Sep 26, 2008

cage code 28526

4