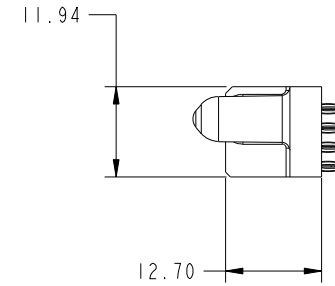
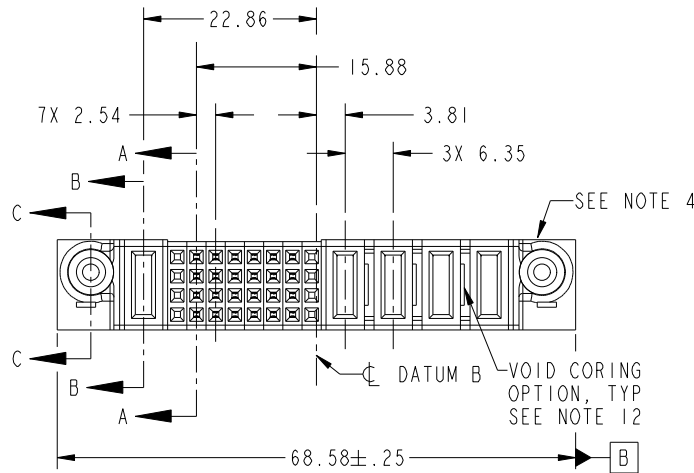


Tous droits strictement réservés. Reproduction ou communication a des tiers interdite sous quelque forme que ce soit sans autorisation écrite du propriétaire. Propriété de c.FCI. Droits de reproduction FCI.

All rights strictly reserved. Reproduction or issue to third parties in any form whatever is not permitted without written authority from the proprietor. Property of FCI. Copyright FCI.



| | | | | | | | | | | | | | | | | | | |
|------------------------|------------------|----|-----|---|--------|---|---|---|---|---|---|----|-----|----|----|----|----|--|
| PRODUCT NO. | ROWS | E2 | PWR | | SIGNAL | | | | | | | | PWR | | | | E1 | |
| | | | P5 | 8 | 7 | 6 | 5 | 4 | 3 | 2 | 1 | P4 | P3 | P2 | P1 | | | |
| 51940-009-- NOTE: 3 | D C B A | | PC | X | F | F | F | F | F | F | F | F | X | PF | PF | PF | PF | |
| | | | | X | F | F | F | F | F | F | F | F | X | | | | | |
| | | | | X | F | F | F | F | F | F | F | F | X | | | | | |
| | | | | X | F | F | F | F | F | F | F | F | X | | | | | |



| CODE | DIM "M" MATING LENGTH | CONTACT TYPE |
|------|-----------------------|--------------|
| F | [N/A] | SIGNAL |
| PC | [1.07] | POWER |
| PF | [2.34] | POWER |
| X | OMITTED | OMITTED |

| | | | | | | | | | | | |
|-------------|----------------|-----|----------|--------------|---------------------|---------------------------------------|----------------|--------------------|-------------------------------|--------|--|
| mat'l code | | | | SEE NOTE | | tolerances unless otherwise specified | | CUSTOMER | | FCI | |
| lir | ecn no. | dr | date | linear | 0.X ± 0.5 | COPY | | www.fciconnect.com | | title | |
| A | V20528 | JWS | 03-18-02 | 0.XX ± 0.25 | projection | | 4P + 32S + 1P | | VERTICAL PRESS-FIT RECEPTACLE | | |
| B | DG05-0418 | CS | 11/01/05 | 0.XXX ± 0.10 | MM | | product family | | PwrBlade | | |
| C | DG07-0498 | JW | 09/12/08 | angles | 0° ± 2° | scale | | size | | code | |
| | | | | dr | J. SHAFFER 03-18-02 | 1:1 | | dwg no | | 213 | |
| | | | | enrg | J. ALLISON 03-18-02 | | | 51940-009 | | sheet | |
| | | | | chr | J. ALLISON 03-18-02 | | | | | 1 of 4 | |
| | | | | appd | J. ALLISON 03-18-02 | | | | | | |
| sheet index | revision sheet | C | C | C | C | | | | | | |
| | | 1 | 2 | 3 | 4 | | | | | | |

1 | 2

3

4

A

A

B

B

Pro/E

PDM: Rev: C

STATUS: Released

Printed: Sep 26, 2008

cage code 28556

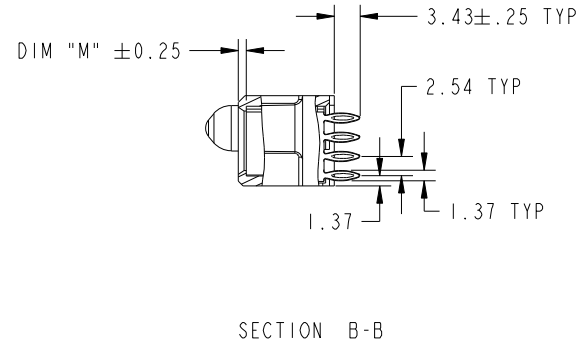
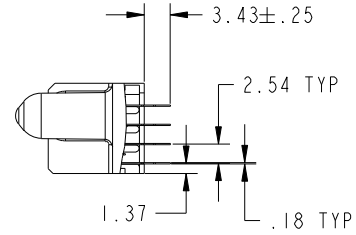
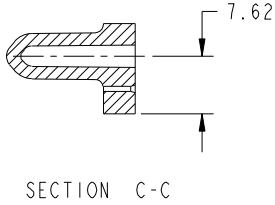
4

Tous droits strictement reserves. Reproduction ou communication a des tiers interdite sous quelque forme que ce soit sans autorisation ecrite du proprietaire. Propriete de c FCI. Droits de reproduction FCI.

All rights strictly reserved. Reproduction or issue to third parties in any form whatever is not permitted without written authority from the proprietor. Property of FCI. Copyright FCI.



PRODUCT NUMBER
51940-009--
NOTE: 3



| | | | | | | | | | | | |
|-------------|----------------|----------|------|---------------------------------------|---------------------|---------------|----------------|-------------------------------|-------|------|--|
| mat'l code | | SEE NOTE | | tolerances unless otherwise specified | | CUSTOMER | | www.fciconnect.com | | | |
| lir | ecn no. | dr | date | linear | 0.X ± 0.5 | projection | | title | | | |
| C | | | | | 0.XX ± 0.25 | | | 4P + 32S + IP | | code | |
| | | | | | 0.XXX ± 0.10 | | | VERTICAL PRESS-FIT RECEPTACLE | | 213 | |
| | | | | angles | 0° ± 2° | MM 1:1 | product family | | code | | |
| | | | | dr | J. SHAFFER 03-18-02 | | PwrBlade | | 213 | | |
| | | | | enrg | J. ALLISON 03-18-02 | | size | dwg no | sheet | | |
| | | | | chr | J. ALLISON 03-18-02 | | A | 51940-009 | 2 | | |
| | | | | appd | J. ALLISON 03-18-02 | | | | | | |
| sheet index | revision sheet | | | | | | | | | | |

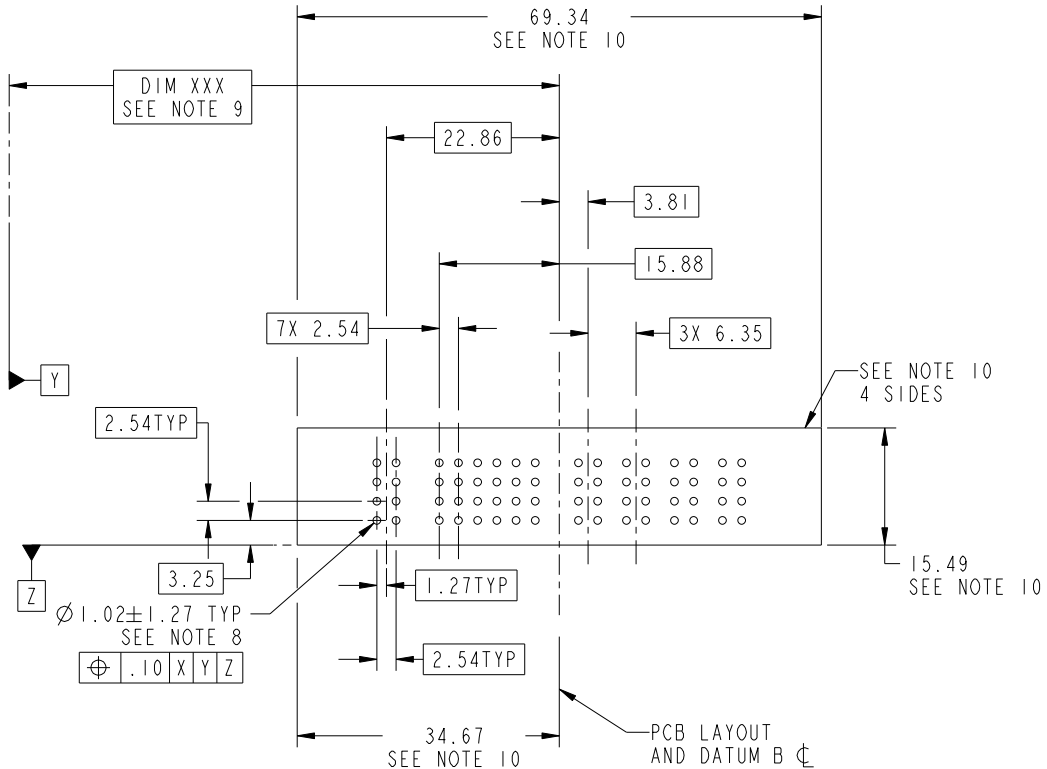
cage code 2856

Tous droits strictement reserves. Reproduction ou communication a des tiers interdite sous quelque forme que ce soit sans autorisation ecrite du proprietaire. Propriete de c.FCI. Droits de reproduction FCI.



All rights strictly reserved. Reproduction or issue to third parties in any form whatever is not permitted without written authority from the proprietor. Property of FCI. Copyright FCI.

PRODUCT NUMBER
51940-009--
NOTE: 3



RECOMMENDED PCB LAYOUT

| | | | | | | | | | |
|-------------|----------------|----------|------|---------------------------------------|---------------------|------------|--|-------------------------------|--|
| mat'l code | | SEE NOTE | | tolerances unless otherwise specified | | CUSTOMER | | www.fciconnect.com | |
| lir | ecn no. | dr | date | linear | 0.X ± 0.5 | COPY | | title | |
| C | | | | | 0.XX ± 0.25 | projection | | 4P + 32S + 1P | |
| | | | | angles | 0.XXX ± 0.10 | | | VERTICAL PRESS-FIT RECEPTACLE | |
| | | | | dr | 0° ± 2° | | | product family | |
| | | | | engr | J. SHAFFER 03-18-02 | MM | | PwrBlade | |
| | | | | chr | J. ALLISON 03-18-02 | | | code | |
| | | | | appd | J. ALLISON 03-18-02 | scale | | 213 | |
| | | | | | | 1:1 | | sheet | |
| sheet index | revision sheet | | | | | | | 3 | |
| | | | | | | | | A 51940-009 | |

cage code 2856

Tous droits strictement reserves. Reproduction ou communication a des tiers interdite sous quelque forme que ce soit sans autorisation ecrite du proprietaire. Propriete de c.FCI. Droits de reproduction FCI.

All rights strictly reserved. Reproduction or issue to third parties in any form whatever is not permitted without written authority from the proprietor. Property of FCI. Copyright FCI.



1 | 2

3

4

PRODUCT NUMBER

51940-009--
NOTE: 3

NOTES:

1. DIMENSIONS AND TOLERANCES ARE IN ACCORDANCE WITH ASME Y14.5M, 1994 UNLESS OTHERWISE SPECIFIED.

CONNECTOR NOTES:

② HOUSING MATERIAL: UL 94 V-0 GLASS FILLED HIGH-TEMP THERMOPLASTIC
POWER CONTACT MATERIAL: COPPER ALLOY
SIGNAL PIN MATERIAL: COPPER ALLOY

③ PLATING:

△ SEE ITEM 7 & 8 IN PRINT 10064183 FOR PLATING SPEC OF 51940-009; 51940-009LF PRESPECTIVELY

④ MANUFACTURER'S NAME, P/N, AND DATE CODE TO APPEAR ON THIS SURFACE.

⑤ PRODUCT SPECIFICATION GS-12-149.
APPLICATION SPECIFICATION BUS-20-067

PCB - NOTES:

⑥ ALL HOLE DIAMETERS ARE FINISHED HOLE SIZE.

⑦ MOUNTING HOLES, WHERE APPLICABLE, ARE UNPLATED.

8. $\varnothing 1.151 \pm 0.025$ DRILLED HOLES PLATED WITH} 0.008 MIN SnPb OR Sn OVER 0.03 TO 0.08 Cu PLATING TO ACHIEVE $\varnothing 1.02 \pm .07$ HOLE.

9. "DIM XXX" TO BE DETERMINED BY THE CUSTOMER.

10. CONNECTOR KEEP-OUT ZONE.

12. A △ SYMBOL WILL BE NEXT TO ANY DIMENSION, VIEW, OR NOTE WHICH HAS BEEN MODIFIED WITH THE CURRENT DRAWING REVISION.

13. THE VOID CORING IN BETWEEN POWER MODULES, SIGNAL MODULES AND END MODULES ARE OPTIONAL AND THE SHAPE MAY BE DIFFERENT FOR OPTIMIZING THE MOLDING PROCESS. THE VOID CORING WILL NOT EFFECT TO PRODUCT FUNCTION.

| | | | | | | | | | | | |
|-------------|----------------|----|------|----------|--------------|---------------------------------------|----------------|----------|-------------------|-------------------------------|--|
| mat'l code | | | | SEE NOTE | | tolerances unless otherwise specified | | CUSTOMER | | www.fciconnect.com | |
| lfr | ecn no. | dr | date | linear | 0.X ± 0.5 | | COPY | | scale 1:1 | title | |
| C | | | | | 0.XX ± 0.25 | | projection | | | 4P + 32S + 1P | |
| | | | | | 0.XXX ± 0.10 | | | | | VERTICAL PRESS-FIT RECEPTACLE | |
| | | | | angles | 0° ± 2° | | product family | | code | | |
| | | | | dr | J. SHAFFER | 03-18-02 | PwrBlade | | 213 | | |
| | | | | enrg | J. ALLISON | 03-18-02 | size | | sheet | | |
| | | | | chr | J. ALLISON | 03-18-02 | A | | 4 | | |
| | | | | appd | J. ALLISON | 03-18-02 | 51940-009 | | | | |
| sheet index | revision sheet | | | | | | | | | | |

1 | 2

Pro/E

PDM: Rev: C

STAT: Released

Printed: Sep 26, 2008

cage code 28506

4