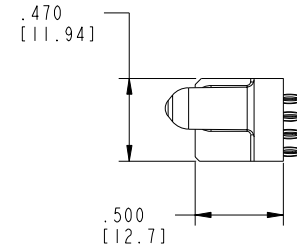
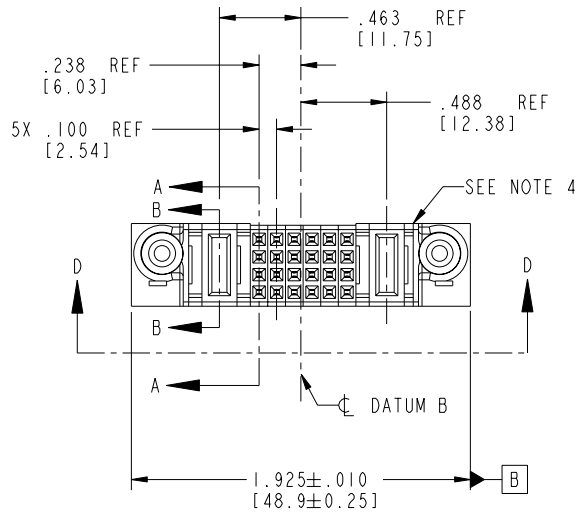


Tous droits strictement réservés. Reproduction ou communication à des tiers interdite sous quelque forme que ce soit sans autorisation écrite du propriétaire. Propriété de c FCI. Droits de reproduction FCI.

All rights strictly reserved. Reproduction or issue to third parties in any form whatever is not permitted without written authority from the proprietor. Property of FCI. Copyright FCI.

PRODUCT NO.	ROWS		POWER		SIGNAL					POWER		
		E2	P2	6	5	4	3	2	1	P1	E1	
51940-004-- NOTE: 3	D C B A			F	F	F	F	F	F			
		F	F	F	F	F	F	F	F			
		F	F	F	F	F	F	F	F			
		F	F	F	F	F	F	F	F			



CODE	DIM "M" MATING LENGTH	CONTACT TYPE
F	N/A [N/A]	SIGNAL
PC	.042 [1.07]	POWER

mat'l code				SEE NOTE 2		tolerances unless otherwise specified		CUSTOMER		 www.fciconnect.com	
ltr	ecn no.	dr	date	linear	.XX±.01/0.X±0.3		COPY		 projection	title	
A	V12526	JWS	11/9/01		.XXX±.005/0.XX±0.13		 scale			IP + 24S + IP VERT PRESS FIT RECEPTACLE	
B	DG05-0418	CS	10/25/05	angles	.XXX±.002/0.XX±0.051		 1:1		product family		
				dr	J. SHAFFER	11/9/01	 1:1		PwrBlade		code
				enr	J. ALLISON	11/9/01			size		213
				chr	J. ALLISON	11/9/01			A		51940-004
				appd	J. ALLISON	11/9/01			sheet		1 of 4
sheet index		revision	B	B	B	B			cage code		4
		sheet	1	2	3	4			22526		

Pro/E

PDM: Rev:B

STATUS: Released

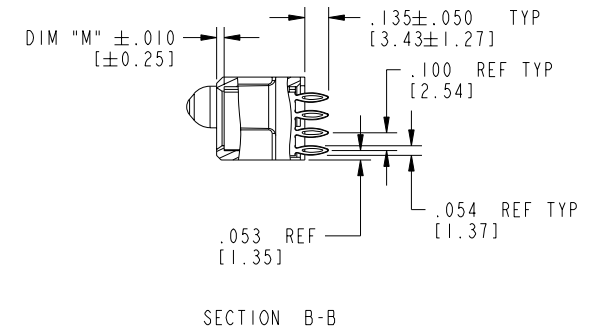
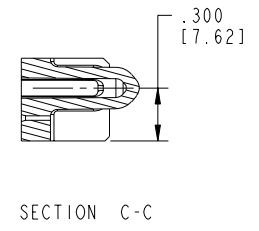
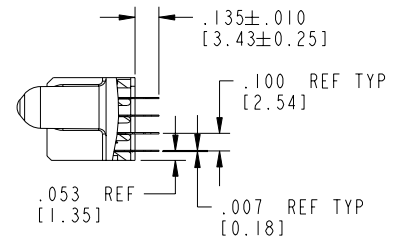
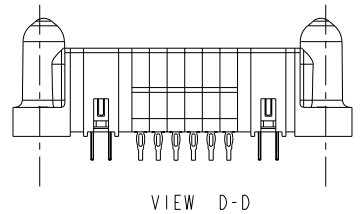
Printed: Aug 14, 2007

Tous droits strictement réservés. Reproduction ou communication à des tiers interdite sous quelque forme que ce soit sans autorisation écrite du propriétaire. Propriété de c FCI. Droits de reproduction FCI.

**FCI**

All rights strictly reserved. Reproduction or issue to third parties in any form whatever is not permitted without written authority from the proprietor. Property of FCI. Copyright FCI.

PRODUCT NUMBER  
51940-004\_\_  
NOTE: 3



mat'l code		SEE NOTE 2		tolerances unless otherwise specified		CUSTOMER		<b>FCI</b>		www.fciconnect.com	
ltr	ecn no.	dr	date	linear	.XX±.01/0.X±0.3	COPY		projection		title	
B					.XXX±.005/0.XX±0.13			IP + 24S + IP		VERT PRESS FIT RECEPTACLE	
				angles	.XXX±.0020/0.XXX±0.051	INCH/MM		product family		code	
				dr	0°±2°	1:1		PwrBlade		213	
				enr	J. SHAFFER 11/9/01			size		sheet	
				chr	J. ALLISON 11/9/01			51940-004		2	
				appd	J. ALLISON 11/9/01						
sheet index	revision sheet										

cage code 22526

Pro/E

**PDM: Rev:B**

**STATUS: Released**

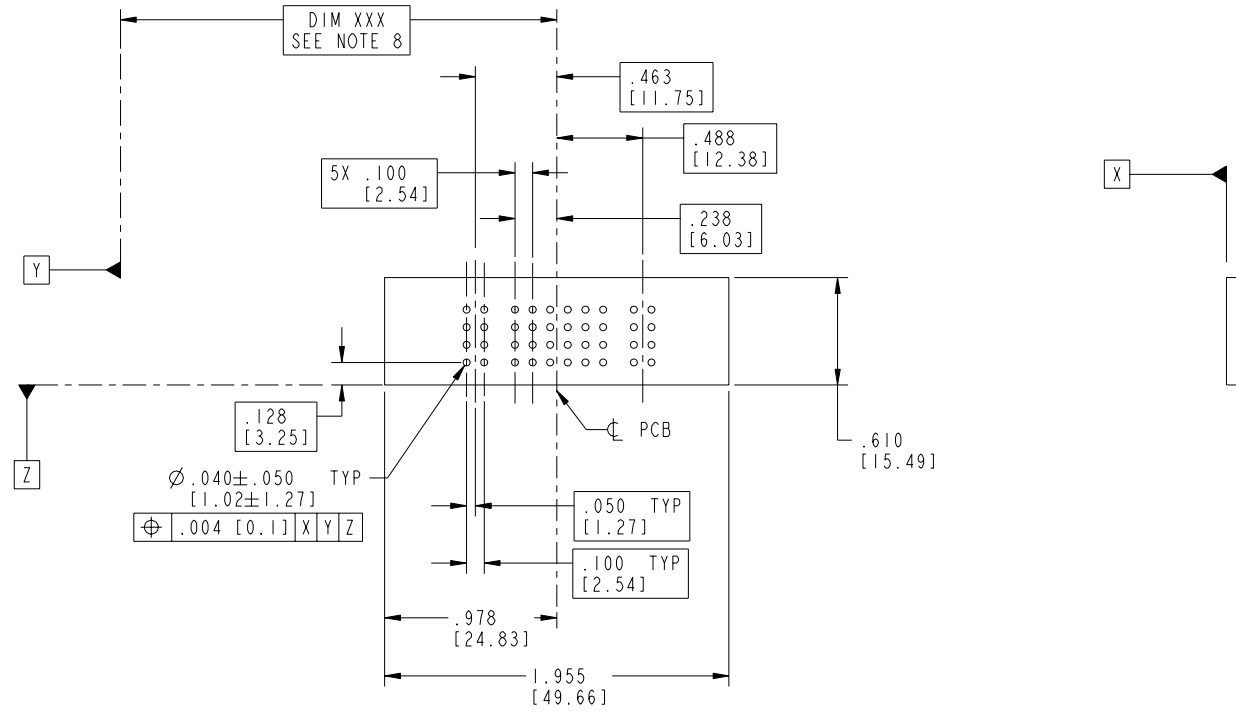
Printed: Aug 14, 2007

Tous droits strictement réservés. Reproduction ou communication a des tiers interdite sous quelque forme que ce soit sans autorisation écrite du propriétaire. Propriété de c FCI. Droits de reproduction FCI.

All rights strictly reserved. Reproduction or issue to third parties in any form whatever is not permitted without written authority from the proprietor. Property of FCI. Copyright FCI.



PRODUCT NUMBER  
51940-004\_\_  
NOTE: 3



mat'l code		SEE NOTE 2		tolerances unless otherwise specified		CUSTOMER		 www.fciconnect.com	
ltr	ecn no.	dr	date	linear	.XX±.01/0.X±0.3	COPY		projection	title
B					.XXX±.005/0.XX±0.13				IP + 24S + IP
				angles	.XXX±.0020/0.XX±0.051				VERT PRESS FIT RECEPTACLE
				dr	0° ± 2°				product family
				enr	J. SHAFFER 11/9/01	INCH/MM			PwrBlade
				chr	J. ALLISON 11/9/01	scale		size	code
				appd	J. ALLISON 11/9/01	1:1		A	213
sheet index	revision sheet							dwg no	sheet
								51940-004	3

cage code 22526

Pro/E

PDM: Rev:B

STATUS: Released

Printed: Aug 14, 2007

Tous droits strictement réservés. Reproduction ou communication à des tiers interdite sous quelque forme que ce soit sans autorisation écrite du propriétaire. Propriété de c FCI. Droits de reproduction FCI.

**A**  
**FCI**

All rights strictly reserved. Reproduction or issue to third parties in any form whatever is not permitted without written authority from the proprietor. Property of FCI. Copyright FCI.

PRODUCT NUMBER  
51940-004\_  
NOTE: 3

NOTES:

1. DIMENSIONS AND TOLERANCES ARE IN ACCORDANCE WITH ASME Y14.5M, UNLESS OTHERWISE SPECIFIED.

CONNECTOR NOTES

② HOUSING MATERIAL: UL 94 V-0 GLASS FILLED HIGH TEMP THERMOPLASTIC  
POWER CONTACT MATERIAL: COPPER ALLOY  
SIGNAL CONTACT MATERIAL: COPPER ALLOY

③ PLATING:  
51940-004 Singal Pin:30u"/0.76um Au OVER 50u"/1.27um Ni ON THE CONTACT AREA,  
AND 100u"/2.54um SnPb PLATING OVER 50u"/1.27um Ni ON THE TERMINATION SECTION.  
Power Pin:30u"/0.76um Au OVER 50u"/1.27um Ni ON THE CONTACT AREA,  
AND 100u"/2.54um SnPb PLATING OVER 50u"/1.27um Ni ON THE TERMINATION SECTION.  
51940-004LF Singal Pin:30u"/0.76um Au OVER 50u"/1.27um Ni ON THE CONTACT AREA,  
AND 78u"/2.00um Sn PLATING OVER 50u"/1.27um Ni ON THE TERMINATION SECTION.  
Power Pin:30u"/0.76um Au OVER 50u"/1.27um Ni ON THE CONTACT AREA,  
AND 78u"/2.00um Sn PLATING OVER 50u"/1.27um Ni ON THE TERMINATION SECTION.

PART NUMBER 51940-004LF MEETS EUROPEAN UNION DIRECTIVE AND OTHER COUNTRY REGULATIONS AS DESCRIBED IN GS-22-008.

THE HOUSING WILL WITHSTAND EXPOSURE TO 260° PEAK TEMPERATURE FOR 10 SECONDS IN A WAVE SOLDER APPLICATION WITH A CIRCUIT BOARD.

④ "MANUFACTURER" NAME, P/N, AND DATE CODE TO APPEAR ON THIS SURFACE

⑤ PRODUCT SPECIFICATION GS-12-149

PCB NOTES:

- 6. ALL HOLE DIAMETERS ARE FINISHED HOLE SIZE
- 7.  $\varnothing 0.0453 \pm 0.0010$  [1.151  $\pm$  0.025] DRILLED HOLES PLATED WITH 0.0003 [0.008] MIN SnPb OVER 0.001 [0.03] TO 0.003 [0.08] Cu PLATING TO ACHIEVE A  $\varnothing 0.040 \pm 0.003$  [1.02  $\pm$  0.07] HOLE.
- 8. "DIM "XXX" TO BE DETERMINED BY THE CUSTOMER.

mat'l code				SEE NOTE 2		tolerances unless otherwise specified		CUSTOMER		<b>A</b> <b>FCI</b>	
ltr	ecn no.	dr	date	linear	.XX±.01/0.X±0.3	projection	COPY		www.fciconnect.com		
B				angles	.XXX±.005/0.XX±0.13	INCH/MM		product family		code	
				dr	.XXX±.0020/0.XXX±0.051	1:1		PwrBlade		213	
				engr	0°±2°	A		size		sheet	
				chr	J. SHAFFER 11/9/01	A		51940-004		4	
				appd	J. ALLISON 11/9/01	A		scale		cage code	
sheet index	revision sheet										

cage code 22526 4

PDM: Rev:B

STATUS:Released

Printed: Aug 14, 2007