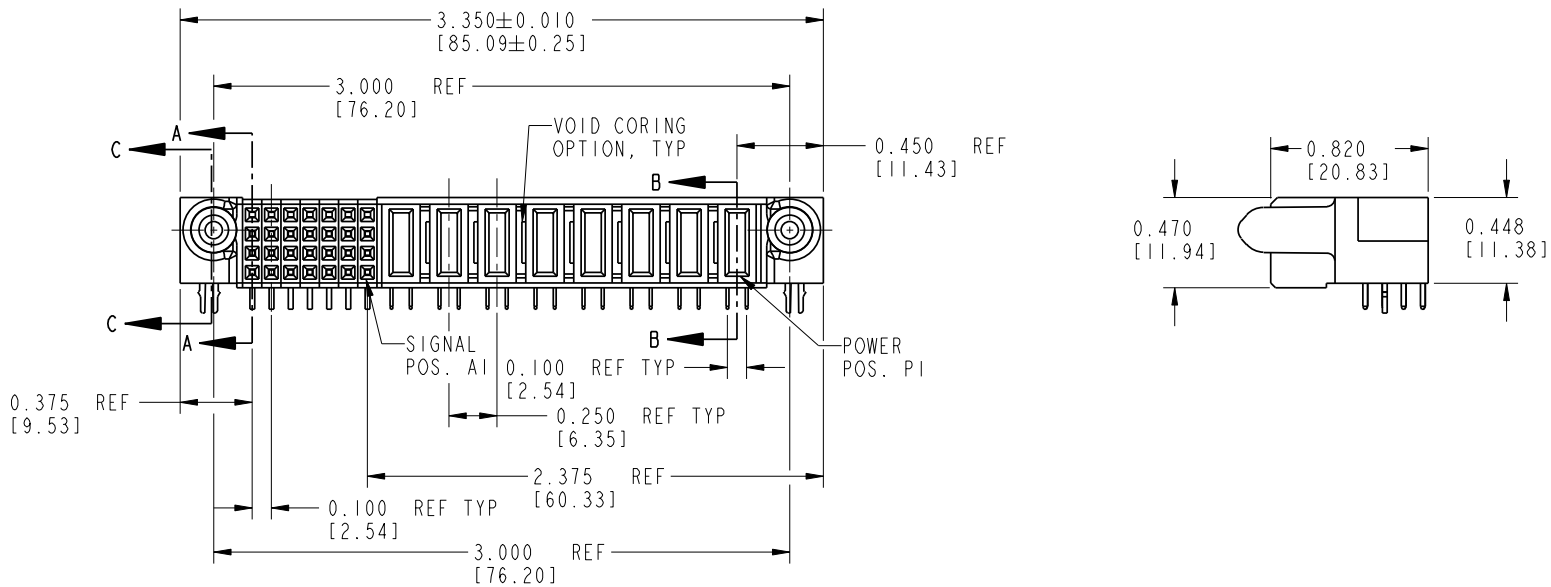


Tous droits strictement réservés. Reproduction ou communication o des liers interdite sous quelque forme que ce soit sans autorisation écrite du propriétaire. Propriété de c FCI. Droits de reproduction FCI.

All rights strictly reserved. Reproduction or issue to third parties in any form whatever is not permitted without written authority from the proprietor. Property of FCI. Copyright FCI.

**FCI**

PRODUCT No.	ROWS	SIGNAL										POWER								E1								
		E2	7	6	5	4	3	2	1	P8	P7	P6	P5	P4	P3	P2	P1											
51772-001-- NOTE: 1	D C B A		H	H	H	H	H	H	H	H	H	H	H	H	H	H	H	PA	PC	PC	PA	PC	PA	PC	PA	PC	PA	



CODE	CONTACT TYPE	DIM "M" ±0.010 [0.25]
E	SIGNAL	N/A
F	SIGNAL	N/A
G	SIGNAL	N/A
H	SIGNAL	N/A
PA	POWER	.042 [1.07]
PC	POWER	.092 [2.34]
HA	HOLD DOWN	N/A

mat'l code				tolerances unless otherwise specified		CUSTOMER	
lir	ecn no.	dr	date	linear	angles	COPY	
A	V02739	JWS	11-17-00	.XX±.01/0.X±0.3	$0^\circ \pm 2^\circ$	projection	
B	V21513	TAB	10-07-02	.XXX±.005/0.XX±0.13		INCH/MM	
C	D605-0304	GuoJM	09/14/05	.XXX±.0020/0.XXX±.051		scale	
				dr	J. SHAFFER	1:1	
				enrg	J. DODDS		
				chr	J. DODDS		
				appd	J. DODDS		
sheet index	revision sheet	C	C				
		1	2				

CONFIDENTIAL			
		www.fciconnect.com	
title		8P + 28S R/A STB RECEPTACLE	
product family	PwrBlade	code	213
size	dwg no	sheet	1 of 2
A	51772-001		

Pro/E

**PDM: Rev: C**

STAT **Released**

Printed: Aug 14, 2007

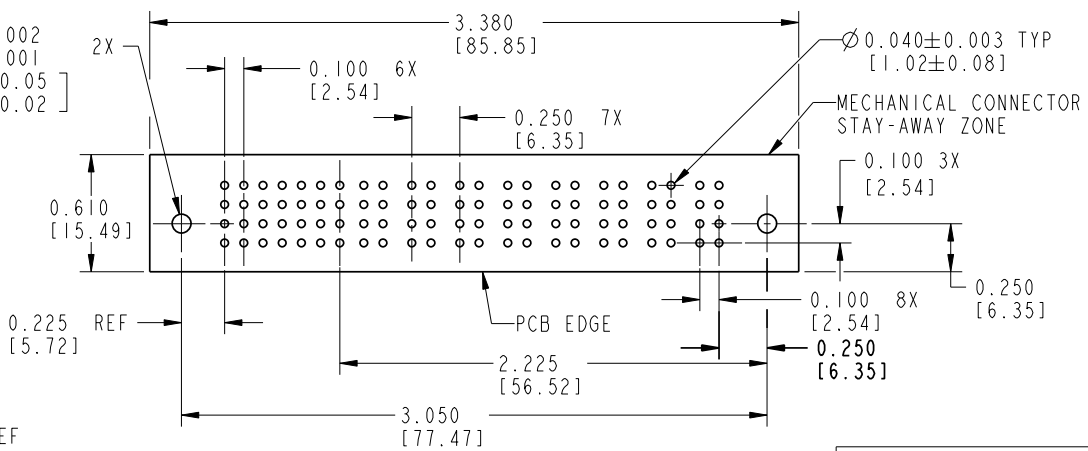
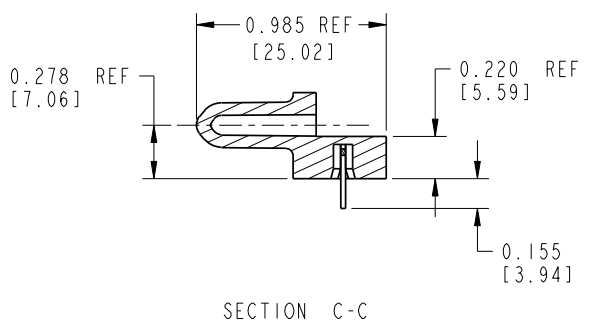
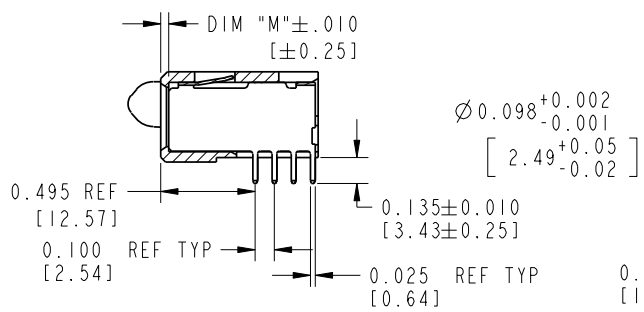
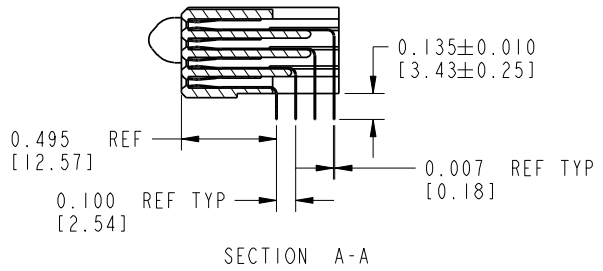
PRODUCT NUMBER  
 51772-001\_\_  
 NOTE: 1

CONNECTOR NOTES:

1. FOR ADDITIONAL INFORMATION, REFER TO DRAWING NUMBER 51772.

PCB NOTES:

- 2. ALL DIMENSIONS ARE BASIC UNLESS OTHERWISE SPECIFIED.
- 3. ALL THROUGH HOLES ARE LOCATED WITH A TRUE POSITION OF 0.004 [0.10]
- 4. ALL HOLE DIAMETERS ARE FINISHED HOLE SIZE.
- 5.  $\varnothing 0.098$  [2.49] THROUGH HOLES ARE UNPLATED.
- 6.  $\varnothing 0.0453 \pm 0.0010$  [1.151  $\pm$  0.025] DRILLED HOLES PLATED WITH 0.0003 [0.008] MIN SnPb OVER 0.001 [0.03] TO 0.003 [0.08] Cu PLATING TO ACHIEVE A  $\varnothing 0.040 \pm 0.003$  [1.02  $\pm$  0.08] HOLE.



**CONFIDENTIAL**

mat'l code				tolerances unless otherwise specified		CUSTOMER		FCI		www.fciconnect.com	
lir	ecn no.	dr	date	linear	.XX ± .01 / 0.X ± 0.3	COPY		projection		title	
C				angles	.XX ± .005 / 0.XX ± 0.13	INCH/MM				8P + 28S R/A STB RECEPTACLE	
				dr	.XXX ± .0020 / 0.XXX ± .051	scale		product family		code	
				engr	$\phi \pm 2^\circ$	1:1		PwrBlade		213	
				chr	J. SHAFFER 11-17-00			size		sheet	
				appd	J. DODDS 11-15-00			A		2 of 2	
					J. DODDS 11-17-00			51772-001			
sheet index	revision sheet										

Tous droits strictement réservés. Reproduction ou communication a des tiers interdite sous quelque forme que ce soit sans autorisation écrite du propriétaire. Propriété de c FCI. Droits de reproduction FCI.

**FCI**

All rights strictly reserved. Reproduction or issue to third parties in any form whatever is not permitted without written authority from the proprietor. Property of FCI. Copyright FCI.