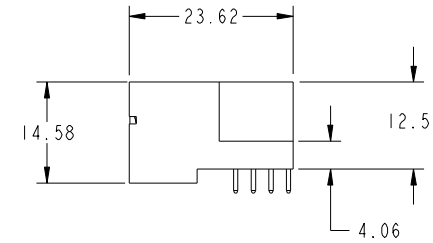
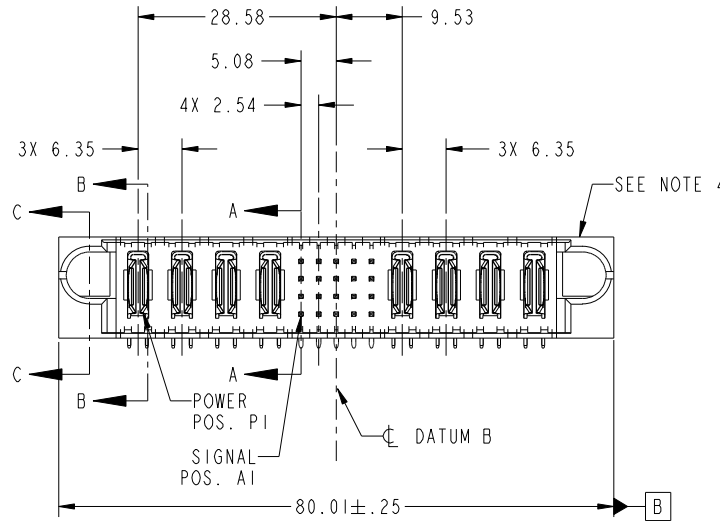


Tous droits strictement reserves. Reproduction ou communication a des tiers interdite sous quelque forme que ce soit sans autorisation écrite du propriétaire. Propriete de c FCI. Droits de reproduction FCI.



All rights strictly reserved. Reproduction or issue to third parties in any form whatever is not permitted without written authority from the proprietor. Property of FCI. Copyright FCI.

|             |                  |       |    |    |    |        |       |       |       |   |       |    |    |    |    |    |
|-------------|------------------|-------|----|----|----|--------|-------|-------|-------|---|-------|----|----|----|----|----|
| PRODUCT NO. | ROWS             | POWER |    |    |    | SIGNAL |       |       |       |   | POWER |    |    |    |    |    |
|             |                  | E1    | P1 | P2 | P3 | P4     | 1     | 2     | 3     | 4 | 5     | P5 | P6 | P7 | P8 | E2 |
| 51730-032_  | D<br>C<br>B<br>A |       |    |    |    |        |       |       |       |   |       |    |    |    |    |    |
| NOTE: ③     |                  |       |    |    |    | UUUUU  | TTTTT | SSSSS | RRRRR |   |       |    |    |    |    |    |



| CODE | DIM "M" MATING LENGTH | CONTACT TYPE |
|------|-----------------------|--------------|
| F    | [5.59]                | SIGNAL       |
| R    | [6.86]                | SIGNAL       |
| S    | [6.86]                | SIGNAL       |
| T    | [6.86]                | SIGNAL       |
| U    | [6.86]                | SIGNAL       |
| PA   | [N/A]                 | POWER        |

|             |           |                |          |          |              |                                       |   |                |  |                    |  |
|-------------|-----------|----------------|----------|----------|--------------|---------------------------------------|---|----------------|--|--------------------|--|
| mat'l code  |           |                |          | SEE NOTE |              | tolerances unless otherwise specified |   | CUSTOMER       |  | FCI                |  |
| ltr         | ecn no.   | dr             | date     | linear   | 0.X ± 0.5    | projection                            |   | COPY           |  | www.fciconnect.com |  |
| A           | V12166    | JRW            | 08/16/01 | angles   | 0.XX ± 0.25  | MIM                                   |   | title          |  | 4P + 20S + 4P      |  |
| B           | V21291    | CGD            | 09/10/02 |          | 0.XXX ± 0.10 | scale                                 |   | product family |  | PwrBlade           |  |
| C           | DG05-0243 | SJ             | 07/26/05 | chr      | 0° ± 2°      | 1:1                                   |   | size           |  | code               |  |
| D           | DG05-0560 | CS             | 12/26/05 | appr     |              |                                       |   | dwg no         |  | 213                |  |
| E           | DG08-0272 | JW             | 09/29/08 |          |              |                                       |   | 51730-032      |  | sheet              |  |
| sheet index |           | revision sheet |          | E        | E            | E                                     | E | A              |  | 1 of 4             |  |
|             |           |                |          | 1        | 2            | 3                                     | 4 | A              |  |                    |  |

Pro/E

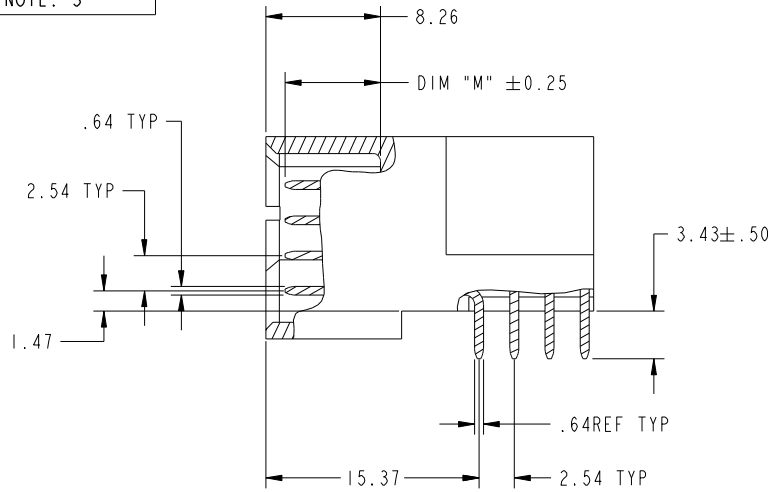
cage code 22526

Tous droits strictement reserves. Reproduction ou communication a des tiers interdite sous quelque forme que ce soit sans autorisation écrite du propriétaire. Propriete de c FCI. Droits de reproduction FCI.

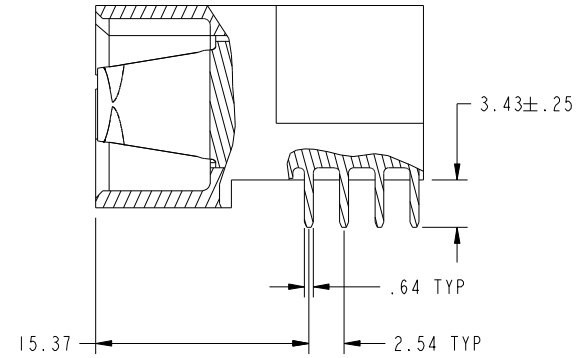


All rights strictly reserved. Reproduction or issue to third parties in any form whatever is not permitted without written authority from the proprietor. Property of FCI. Copyright FCI.

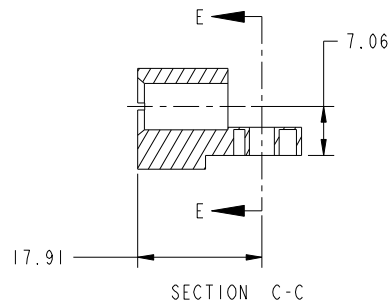
PRODUCT NUMBER  
51730-032--  
NOTE: 3



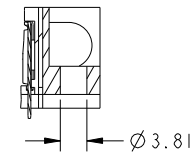
BROKEN-OUT SECTION A-A  
SCALE 2:1



BROKEN-OUT SECTION B-B  
SCALE 2:1



SECTION C-C



PARTIAL SECTION E-E

|             |                |          |      |                                       |                       |            |  |  |  |
|-------------|----------------|----------|------|---------------------------------------|-----------------------|------------|--|--|--|
| mat'l code  |                | SEE NOTE |      | tolerances unless otherwise specified |                       | CUSTOMER   |  | www.fciconnect.com                         |  |
| ltr         | ecn no.        | dr       | date | linear                                | 0.X ±0.5              | COPY       |  | title                                      |  |
| E           |                |          |      |                                       | 0.XX ±0.25            | projection |  | 4P + 20S + 4P<br>RIGHT ANGLE SOLDER HEADER |  |
|             |                |          |      | angles                                | 0.XXX ±0.10           |            |  | product family PwrBlade code               |  |
|             |                |          |      | dr                                    | 0° ±2°                |            |  | 213  |  |
|             |                |          |      | enrg                                  | C. DAILY 09/10/02     | scale      |  | sheet                                      |  |
|             |                |          |      | chr                                   | M. MOSTOLLER 09/10/02 | 1:1        |  | 2  |  |
|             |                |          |      | appd                                  | M. MOSTOLLER 09/10/02 | A          |  | 51730-032                                  |  |
| sheet index | revision sheet |          |      |                                       |                       |            |  |  |  |

cage code 22526

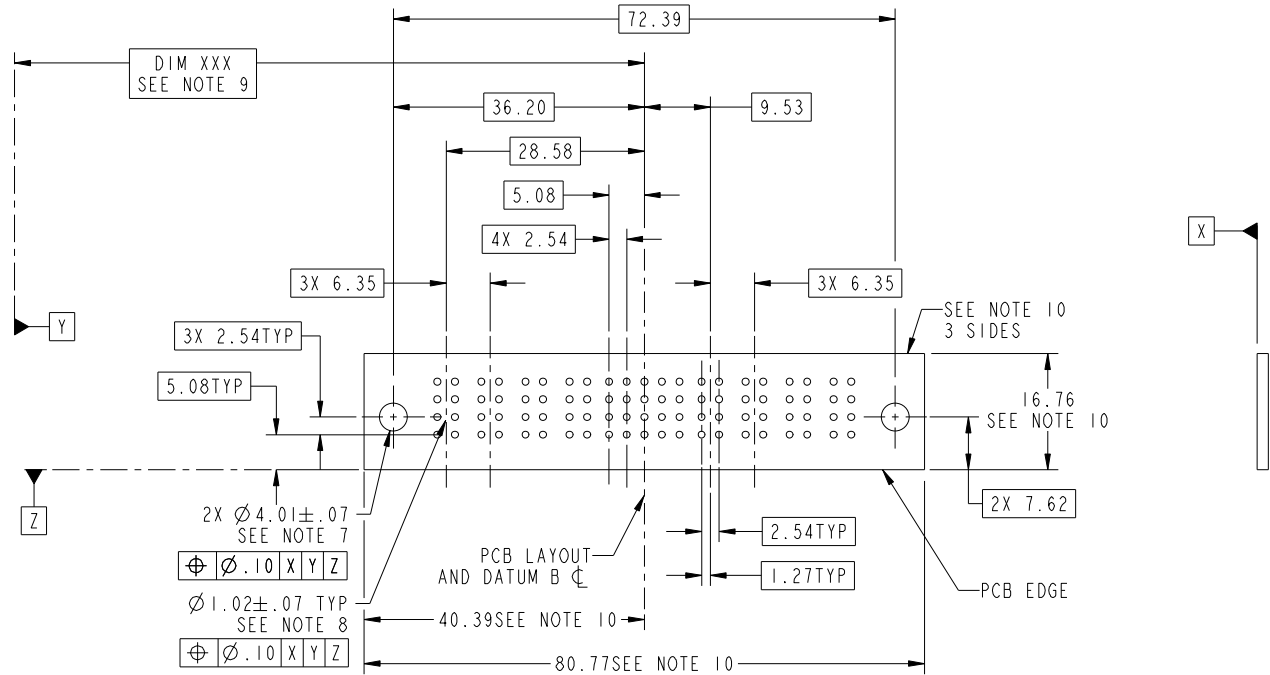
Pro/E

Tous droits strictement reserves. Reproduction ou communication a des tiers interdite sous quelque forme que ce soit sans autorisation écrite du propriétaire. Propriete de c FCI. Droits de reproduction FCI.



All rights strictly reserved. Reproduction or issue to third parties in any form whatever is not permitted without written authority from the proprietor. Property of FCI. Copyright FCI.

PRODUCT NUMBER  
51730-032--  
NOTE: 3



RECOMMENDED PCB LAYOUT

|             |                |          |      |                                       |                       |            |  |                              |  |
|-------------|----------------|----------|------|---------------------------------------|-----------------------|------------|--|------------------------------|--|
| mat'l code  |                | SEE NOTE |      | tolerances unless otherwise specified |                       | CUSTOMER   |  | www.fciconnect.com           |  |
| ltr         | ecn no.        | dr       | date | linear                                | 0.X ±0.5              | COPY       |  | title                        |  |
| E           |                |          |      |                                       | 0.XX ±0.25            | projection |  | 4P + 20S + 4P                |  |
|             |                |          |      | angles                                | 0.XXX ±0.10           |            |  | RIGHT ANGLE SOLDER HEADER    |  |
|             |                |          |      | dr                                    | 0° ±2°                |            |  | product family PwrBlade code |  |
|             |                |          |      | enrg                                  | C. DAILY 09/10/02     |            |  | size dwg no 213              |  |
|             |                |          |      | chr                                   | M. MOSTOLLER 09/10/02 | scale      |  | sheet                        |  |
|             |                |          |      | appd                                  | M. MOSTOLLER 09/10/02 | 1:1        |  | 3                            |  |
| sheet index | revision sheet |          |      |                                       |                       |            |  | A 51730-032                  |  |

cage code 22526

Pro/E

Tous droits strictement reserves. Reproduction ou communication a des tiers interdite sous quelque forme que ce soit sans autorisation écrite du propriétaire. Propriete de c FCI. Droits de reproduction FCI.



All rights strictly reserved. Reproduction or issue to third parties in any form whatever is not permitted without written authority from the proprietor. Property of FCI. Copyright FCI.

PRODUCT NUMBER  
51730-032--  
NOTE: 3

NOTES:

1. DIMENSIONS AND TOLERANCES ARE IN ACCORDANCE WITH ASME Y14.5M, 1994 UNLESS OTHERWISE SPECIFIED.

CONNECTOR NOTES:

2. HOUSING MATERIAL: UL 94 V-0 GLASS FILLED HIGH-TEMP THERMOPLASTIC  
POWER CONTACT MATERIAL: COPPER ALLOY  
SIGNAL PIN MATERIAL: COPPER ALLOY

3. PLATING:

SEE ITEM 1 & 2 IN PRINT 10064183 FOR PLATING SPEC OF 51730-032; 51730-032LF PRESPECTIVELY

4. MANUFACTURER'S NAME, P/N, AND DATE CODE TO APPEAR ON THIS SURFACE.

5. PRODUCT SPECIFICATION GS-12-149.  
APPLICATION SPECIFICATION BUS-20-067.

PCB NOTES:

6. ALL HOLE DIAMETERS ARE FINISHED HOLE SIZE.  
7. MOUNTING HOLES, WHERE APPLICABLE, ARE UNPLATED.

8.  $\varnothing 1.151 \pm 0.025$  DRILLED HOLES PLATED WITH 0.008 MIN SnPb OR Sn OVER 0.03 TO 0.08 Cu PLATING TO ACHIEVE  $\varnothing 1.02 \pm .07$  HOLE.

9. "DIM XXX" TO BE DETERMINED BY THE CUSTOMER.

10. CONNECTOR KEEP-OUT ZONE.

11. A  $\Delta$  SYMBOL WILL BE NEXT TO ANY DIMENSION, VIEW, OR NOTE WHICH HAS BEEN MODIFIED WITH THE CURRENT DRAWING REVISION.

|             |                |          |      |                                       |                       |            |  |  |  |
|-------------|----------------|----------|------|---------------------------------------|-----------------------|------------|--|--|--|
| mat'l code  |                | SEE NOTE |      | tolerances unless otherwise specified |                       | CUSTOMER   |  | FCI<br>www.fciconnect.com                  |  |
| ltr         | ecr no.        | dr       | date | linear                                | 0.X ± 0.5             | COPY       |  | title                                      |  |
| E           |                |          |      |                                       | 0.XX ± 0.25           | projection |  | 4P + 20S + 4P<br>RIGHT ANGLE SOLDER HEADER |  |
|             |                |          |      | angles                                | 0.XXX ± 0.10          |            |  | product family PwrBlade code 213           |  |
|             |                |          |      | dr                                    | 0° ± 2°               |            |  | size dwg no 51730-032 sheet 4              |  |
|             |                |          |      | enrg                                  | C. DAILY 09/10/02     | scale 1:1  |  | cage code 22526                            |  |
|             |                |          |      | chr                                   | M. MOSTOLLER 09/10/02 |            |  |  |  |
|             |                |          |      | appd                                  | M. MOSTOLLER 09/10/02 |            |  |  |  |
| sheet index | revision sheet |          |      |                                       |                       |            |  |  |  |

Pro/E

cage code 22526