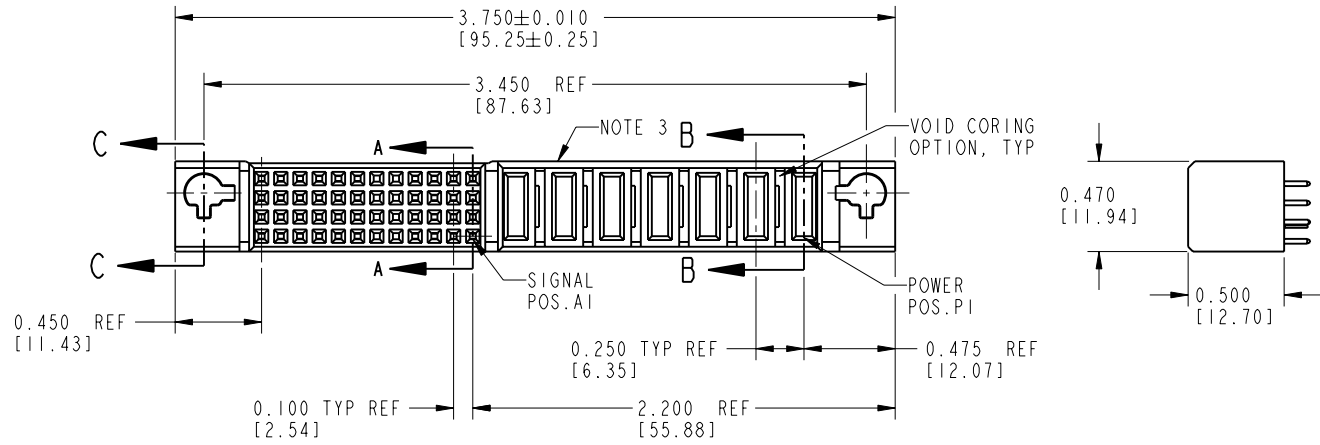


Tous droits strictement réservés. Reproduction ou communication o des liens interdite sous quelque forme que ce soit sans autorisation écrite du propriétaire. Propriété de c FCI. Droits de reproduction FCI.

**FCI**

All rights strictly reserved. Reproduction or issue to third parties in any form, whenever is not permitted without written authority from the proprietor. Property of FCI. Copyright FCI.

PRODUCT No.	ROWS	SIGNAL										POWER										
		E1	12	11	10	9	8	7	6	5	4	3	2	1	P7	P6	P5	P4	P3	P2	P1	E2
51602-XX001 NOTE: 2	D C B A		E	E	E	E	E	E	E	E	X	E	E	E	PA	PA	X	PA	PA	PA	PA	



CODE	CONTACT TYPE
E	SIGNAL
PA	POWER
HA	HOLD-DOWN
X	OMITTED

mat'l code				NOTE 1		tolerances unless otherwise specified		CUSTOMER	
ltr	ecn no.	dr	date	linear	angles	.XX±.01/.X±.3	.XXX±.005/.XX±.13	.XXX±.0020/.XXX±.051	projection
A	V81897	DLW	10/30/98		0° ± 2°				
B	V90098	DLW	01/22/99						
C	V01363	LSS	06-05-00						
D	V10810	EKK	01-31-01	dr		D. WOLFORD	10/30/98		
E	V11164	LSS	04/09/01	engr		J. BROWN	10/30/98		
F	DG05-0363	GuoJM	09/29/05	chr		J. BROWN	10/30/98		
				appd		J. BROWN	10/30/98		
sheet index	revision sheet	F	F	F					
		1	2	3					

A FCI		www.fciconnect.com	
COPY		title	
INCH/MM		7P + 48S	
scale		VERTICAL SOLDER RECEPTACLE	
1:1		product family	
		PWRBLADE	
		code	
		213	
		sheet	
		1 of 3	

coge code	22526
-----------	-------

Pro/E

PDM: Rev:F

STATUS: Released

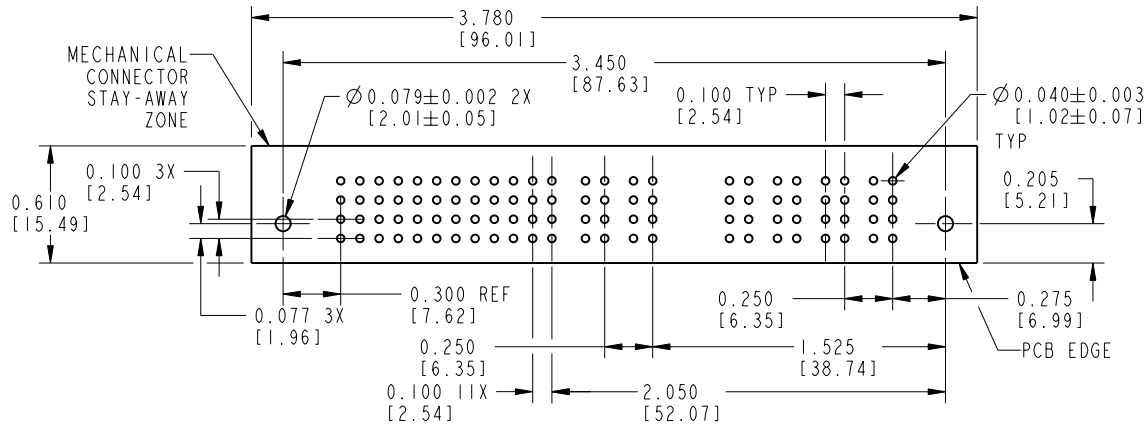
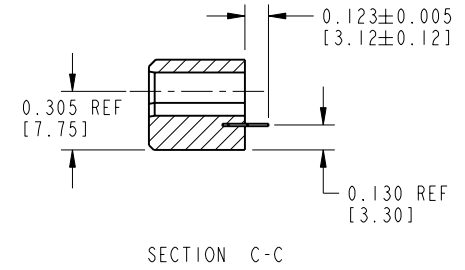
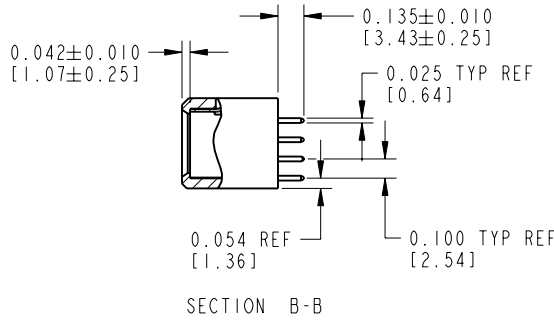
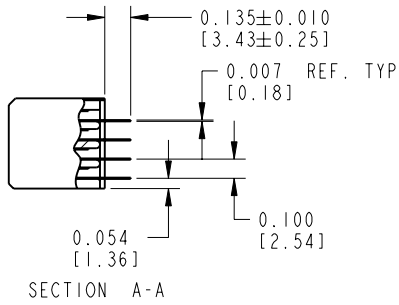
Printed: Aug 11, 2007

Tous droits strictement réservés. Reproduction ou communication ou des liens interdite sous quelque forme que ce soit sans autorisation écrite du propriétaire. Propriété de c FCI. Droits de reproduction FCI.

All rights strictly reserved. Reproduction or issue to third parties in any form whatever is not permitted without written authority from the proprietor. Property of FCI. Copyright FCI.

PRODUCT NUMBER

51602-XX001\_\_  
NOTE: 2



RECOMMENDED PCB LAYOUT

mat'l code		NOTE 1		tolerances unless otherwise specified		CUSTOMER		 www.fciconnect.com	
lfr	ecn no.	dr	date	linear	.XX±.01/.X±.3	COPY			
F				angles	.XXX±.005/.XX±.13 .XXXX±.0020/.XXX±.051	 projection		title 7P + 48S VERTICAL SOLDER RECEPTACLE	
				dr	0° ± 2°	 INCH/MM		product family PWRBLADE code 213	
				engr	D. WOLFORD 10/30/98	scale 1:1		size dwg no 51602 sheet 2	
				chr	J. BROWN 10/30/98				
				appd	J. BROWN 10/30/98				
sheet index	revision sheet								

cage code 22526

Pro/E

PDM: Rev:F

STATUS: Released

Printed: Aug 11, 2007

Tous droits strictement réservés. Reproduction ou communication o des liers interdite sous quelque forme que ce soit sans autorisation écrite du propriétaire. Propriete de c FCI. Droits de reproduction FCI.

All rights strictly reserved. Reproduction or issue to third parties in any form, whenever is not permitted without written authority from the proprietor. Property of FCI. Copyright FCI.

1 | 2

3 |

4

**PRODUCT NUMBER**

51602-XX001\_\_  
NOTE: 2

**CONNECTOR NOTES:**

1. HOUSING MATERIAL: UL 94 V-0 GLASS FILLED HIGH TEMP THERMOPLASTIC  
POWER CONTACT MATERIAL: COPPER ALLOY  
SIGNAL CONTACT MATERIAL: COPPER ALLOY

2. PLATING:

51602-XX001 Singal Pin:30u"/0.76um Au OVER 50u"/1.27um Ni ON THE CONTACT AREA,  
AND 100u"/2.54um SnPb PLATING OVER 50u"/1.27um Ni ON THE TERMINATION SECTION.  
Power Pin:30u"/0.76um Au OVER 50u"/1.27um Ni ON THE CONTACT AREA,  
AND 100u"/2.54um SnPb PLATING OVER 50u"/1.27um Ni ON THE TERMINATION SECTION.

51602-XX001LF Singal Pin:30u"/0.76um Au OVER 50u"/1.27um Ni ON THE CONTACT AREA,  
AND 78u"/2.00um Sn PLATING OVER 50u"/1.27um Ni ON THE TERMINATION SECTION.  
Power Pin:30u"/0.76um Au OVER 50u"/1.27um Ni ON THE CONTACT AREA,  
AND 78u"/2.00um Sn PLATING OVER 50u"/1.27um Ni ON THE TERMINATION SECTION.

PART NUMBER 51602-XX001LF MEETS EUROPEAN UNION DIRECTIVE AND JOTHER COUNTRY REGULATIONS AS DESCRIBED IN GS-22-008.

THE HOUSING WILL WITHSTAND EXPOSURE TO 260° PEAK TEMPERATURE FOR 10 SECONDS IN A WAVE SOLDER APPLICATION WITH A CIRCUIT BOARD.


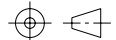
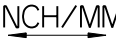
3. "MANUFACTURER" NAME, P/N, AND DATE CODE TO APPEAR ON THIS SURFACE

4. PRODUCT SPECIFICATION GS-12-149

**PCB NOTES:**

- 5. ALL DIMENSIONS ARE BASIC UNLESS OTHERWISE SPECIFIED.
- 6. ALL THROUGH HOLES ARE LOCATED WITH A TRUE POSITION OF 0.004 [0.10]
- 7. ALL HOLE DIAMETERS ARE FINISHED HOLE SIZE
- 8. Ø0.079[2.01] THROUGH HOLES ARE UNPLATED.
- 9. Ø0.0453±0.0010 [1.151±0.025] DRILLED HOLES PLATED WITH 0.0003 [0.008] MIN SnPb OVER 0.001 [0.03] TO 0.003 [0.08] Cu PLATING TO ACHIEVE A Ø0.040±0.003 [1.02±0.07] HOLE.

**CONFIDENTIAL**

mat'l code		NOTE 1		tolerances unless otherwise specified		CUSTOMER		 <b>FCI</b> www.fciconnect.com	
ltr	ecn no.	dr	date	linear	.XX±.01/.X±.3	COPY			
F				projection	.XXX±.005/.XX±.13			title 7P + 48S VERTICAL SOLDER RECEPTACLE	
				angles	.XXX±.0020/.XXX±.051			product family PWRBLADE code 213	
				dr	0° ± 2°	scale 1:1		size dwg no 51602 sheet 3	
				engr	D. WOLFORD 10/30/98				
				chr	J. BROWN 10/30/98				
				appd	J. BROWN 10/30/98				
sheet index	revision sheet								

1 | 2

Pro/E

3 |

coge code 22526

4