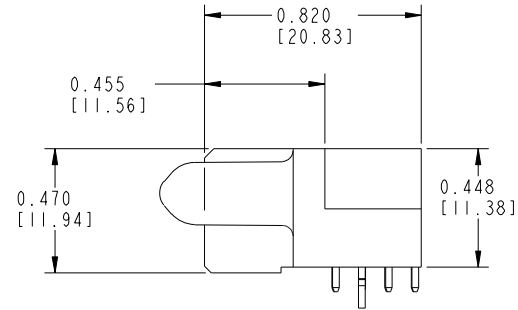
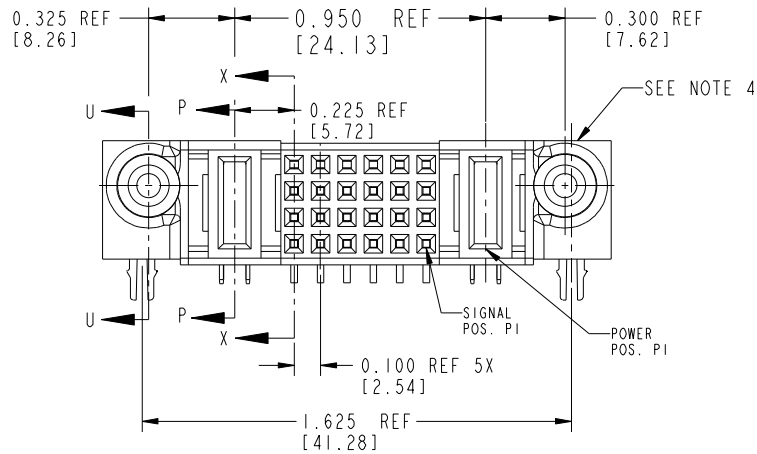
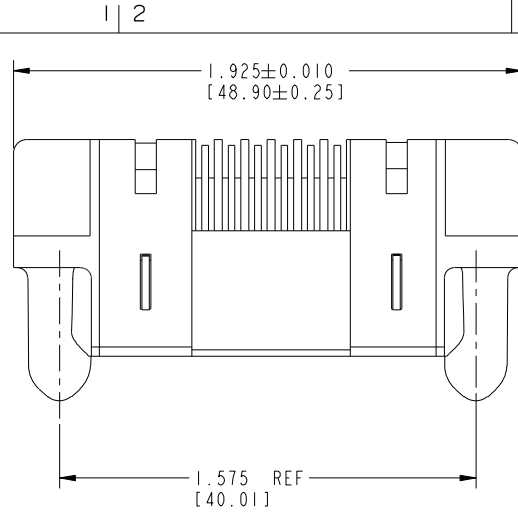


Tous droits strictement réservés. Reproduction ou communication à des tiers interdite sous quelque forme que ce soit sans autorisation écrite du propriétaire. Propriété de c.FCI. Droits de reproduction FCI.



All rights strictly reserved. Reproduction or issue to third parties in any form whatever is not permitted without written authority from the proprietor. Property of FCI. Copyright FCI.

PRODUCT NUMBER  
51416-00X---  
NOTE ③



| mat'l code  |                |     |          | SEE NOTES |                            | tolerances unless otherwise specified |     | CUSTOMER           |        | FCI                       |        |  |
|-------------|----------------|-----|----------|-----------|----------------------------|---------------------------------------|-----|--------------------|--------|---------------------------|--------|--|
| ltr         | ecn no.        | dr  | date     | linear    | .XX ± .01 / .X ± .3        | COPY                                  |     | www.fciconnect.com |        | title                     |        |  |
| A           | V90563         | CHB | 02-18-99 |           | .XXX ± .005 / .XX ± .13    | projection                            |     | IP + 24S + IP      |        | RIGHT ANGLE SOLDER RECEPT |        |  |
| B           | V90919         | SAR | 04-14-99 | angles    | .XXX ± .0020 / .XXX ± .051 | INCH/MM                               |     | product family     |        | code                      |        |  |
| C           | V94029         | CHB | 10-08-99 |           | 0° ± 2°                    | scale                                 |     | PwrBlade           |        | 213                       |        |  |
| D           | V01376         | EKK | 06-08-00 | dr        | LEVEL 4                    | 01-12-99                              | 3:2 |                    | size   |                           | sheet  |  |
| E           | DG05-0049      | SW  | 03-17-05 | engr      | J. BROWN                   | 01-12-99                              | A   |                    | dwg no |                           | 1 of 5 |  |
| F           | DG05-0230      | LH  | 07-19-05 | chr       | J. BROWN                   | 01-12-99                              |     |                    | 51416  |                           |        |  |
| G           | DG08-0239      | JC  | 09/12/08 | appd      | J. BROWN                   | 01-12-99                              |     |                    |        |                           |        |  |
| sheet index | revision sheet | G   | G        | G         | G                          | G                                     |     |                    |        |                           |        |  |
|             |                | 1   | 2        | 3         | 4                          | 5                                     |     |                    |        |                           |        |  |

THIS FILE WAS ORIGINALLY CREATED IN THE PRO ENGINEER ENVIRONMENT AND ANY FUTURE REVISIONS TO THIS FILE MUST BE MADE IN THE PRO ENGINEER ENVIRONMENT

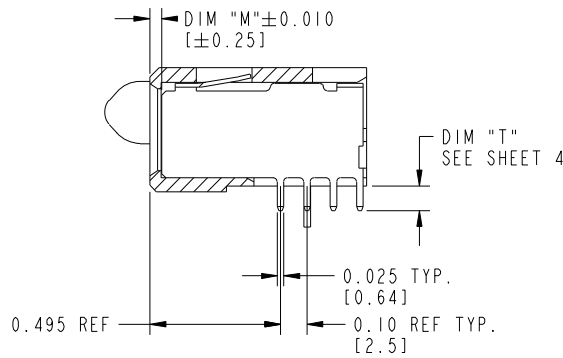
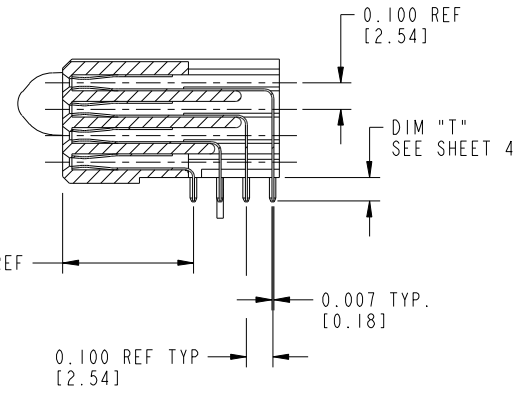
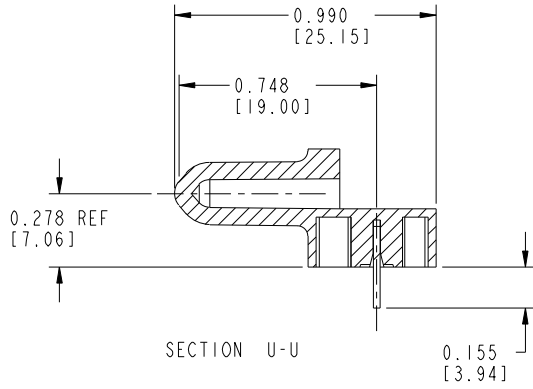
cage code 22526

Pro/E

Tous droits strictement reserves. Reproduction ou communication a des tiers interdite sous quelque forme que ce soit sans autorisation ecrite du propriétaire. Propriete de c FCI. Droits de reproduction FCI.

All rights strictly reserved. Reproduction or issue to third parties in any form whatever is not permitted without written authority from the proprietor. Property of FCI. Copyright FCI.

PRODUCT NUMBER  
51416-00X  
NOTE (3)



|             |                |           |      |                                       |                             |           |  |  |  |  |
|-------------|----------------|-----------|------|---------------------------------------|-----------------------------|-----------|--|--|--|--|
| mat'l code  |                | SEE NOTES |      | tolerances unless otherwise specified |                             | CUSTOMER  |  | FCJ  |  |  |
| ltr         | ecn no.        | dr        | date | linear                                | .XX ± .01 / .X ± .3         | COPY      |  | www.fciconnect.com                               |  |  |
| G           |                |           |      | projection                            | .XXX ± .005 / .XX ± .13     |           |  | title IP + 24S + 1P<br>RIGHT ANGLE SOLDER RECEPT |  |  |
|             |                |           |      | angles                                | .XXXX ± .0020 / .XXX ± .051 |           |  | product family PwrBlade code 213                 |  |  |
|             |                |           |      | dr                                    | LEVEL 4 01-12-99            | scale 3:2 |  | size dwg no 51416-001 sheet 2                    |  |  |
|             |                |           |      | enr                                   | J. BROWN 01-12-99           |           |  |  |  |  |
|             |                |           |      | chr                                   | J. BROWN 01-12-99           |           |  |  |  |  |
|             |                |           |      | appd                                  | J. BROWN 01-12-99           |           |  |  |  |  |
| sheet index | revision sheet |           |      |                                       |                             |           |  |  |  |  |

cage code 22526

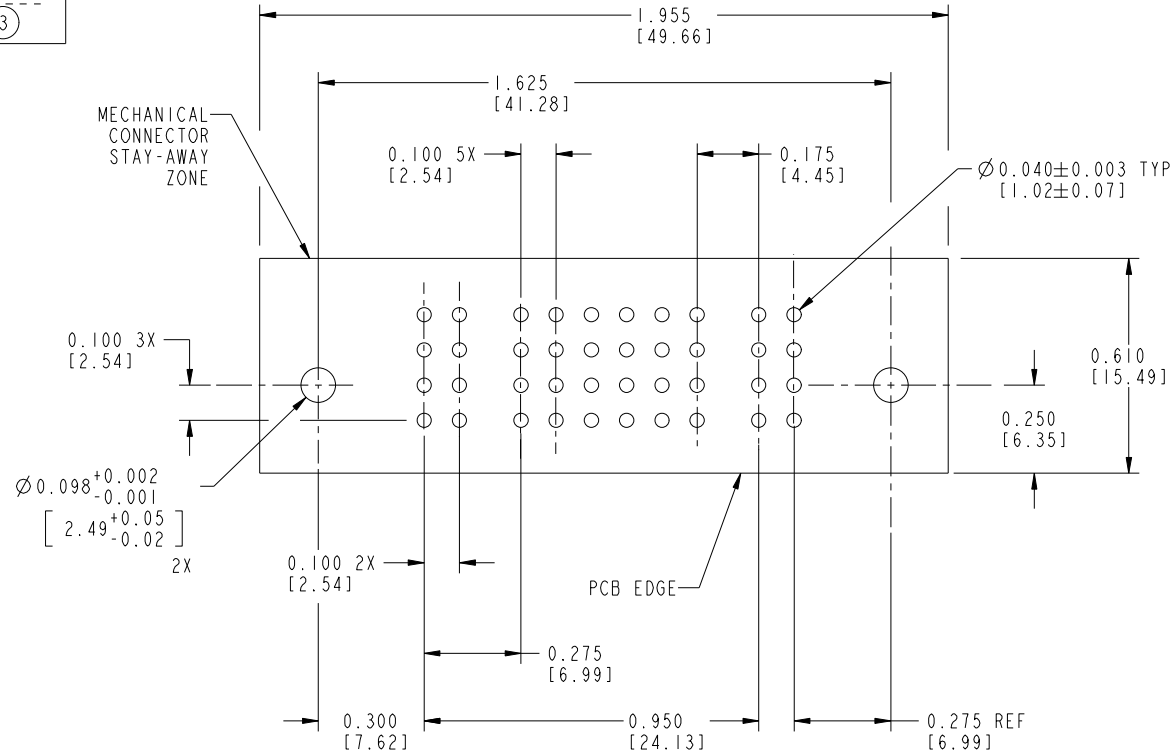
Pro/E

Tous droits strictement réservés. Reproduction ou communication à des tiers interdite sous quelque forme que ce soit sans autorisation écrite du propriétaire. Propriété de c.FCI. Droits de reproduction FCI.



All rights strictly reserved. Reproduction or issue to third parties in any form whatever is not permitted without written authority from the proprietor. Property of FCI. Copyright FCI.

PRODUCT NUMBER  
51416-00X---  
NOTE ③



RECOMMENDED PCB LAYOUT

|             |                |           |      |                                       |                           |               |     |  |          |
|-------------|----------------|-----------|------|---------------------------------------|---------------------------|---------------|-----|--|----------|
| mat'l code  |                | SEE NOTES |      | tolerances unless otherwise specified |                           | CUSTOMER COPY |     | www.ficconnect.com                         |          |
| ltr         | ecn no.        | dr        | date | linear                                | .XX ± .01/.X ± .3         | projection    |     | title                                      |          |
| G           |                |           |      | angles                                | .XXX ± .005/.XX ± .13     | INCH/MM       |     | IP + 24S + IP<br>RIGHT ANGLE SOLDER RECEPT |          |
|             |                |           |      | dr                                    | .XXXX ± .0020/.XXX ± .051 | scale         | 3:2 | product family                             | PwrBlade |
|             |                |           |      | enr                                   | 0° ± 2°                   |               |     | size                                       | dwg no   |
|             |                |           |      | chr                                   | LEVEL 4 01-12-99          |               |     | A  | 51416    |
|             |                |           |      | appd                                  | J. BROWN 01-12-99         |               |     |  | code     |
|             |                |           |      |                                       | J. BROWN 01-12-99         |               |     |  | 213      |
| sheet index | revision sheet |           |      |                                       |                           |               |     |  | sheet    |
|             |                |           |      |                                       |                           |               |     |  | 3        |

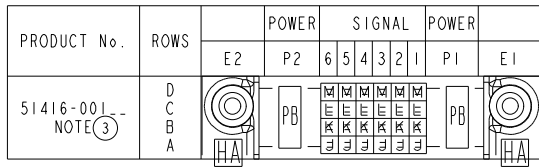
cage code 22526

Pro/E

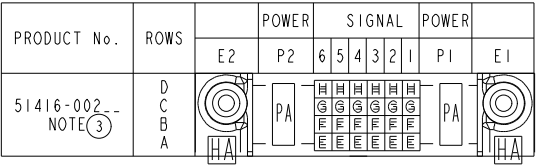
Tous droits strictement réservés. Reproduction ou communication à des tiers interdite sous quelque forme que ce soit sans autorisation écrite du propriétaire. Propriété de c.FCI. - Droits de reproduction FCI.

All rights strictly reserved. Reproduction or issue to third parties in any form whatever is not permitted without written authority from the proprietor. Property of FCI. Copyright FCI.

| ITEM NO. | QTY | DIM "M"<br>MATING<br>LENGTH<br>±.010 |        | DIM "T"<br>TAIL<br>LENGTH<br>+.005-[.13]-.010 [.25] |        | CONTACT TYPE |
|----------|-----|--------------------------------------|--------|---|--------|--------------|
| PB       | 2   | 0.042                                | [1.07] | 0.090   | [2.29] | POWER        |
| J        | 6   | N/A                                  | [N/A]  | 0.090   | [2.29] | SIGNAL       |
| K        | 6   | N/A                                  | [N/A]  | 0.090   | [2.29] | SIGNAL       |
| L        | 6   | N/A                                  | [N/A]  | 0.090   | [2.29] | SIGNAL       |
| M        | 6   | N/A                                  | [N/A]  | 0.090   | [2.29] | SIGNAL       |
| HA       | 2   | N/A                                  | [N/A]  | N/A   | [N/A]  | HOLD-DOWN    |



| ITEM NO. | QTY | DIM "M"<br>MATING<br>LENGTH<br>±.010 [.25] |        | DIM "T"<br>TAIL<br>LENGTH<br>±.010 [.25] |        | CONTACT TYPE |
|----------|-----|--|--------|--|--------|--------------|
| PA       | 2   | 0.042                                      | [1.07] | 0.135                                    | [3.43] | POWER        |
| E        | 6   | N/A  | [N/A]  | 0.135                                    | [3.43] | SIGNAL       |
| F        | 6   | N/A  | [N/A]  | 0.135                                    | [3.43] | SIGNAL       |
| G        | 6   | N/A  | [N/A]  | 0.135                                    | [3.43] | SIGNAL       |
| H        | 6   | N/A  | [N/A]  | 0.135                                    | [3.43] | SIGNAL       |
| HA       | 2   | N/A  | [N/A]  | N/A                                      | [N/A]  | HOLD-DOWN    |



|             |                |           |      |                                       |                         |               |                |  |       |
|-------------|----------------|-----------|------|---------------------------------------|-------------------------|---------------|----------------|--|-------|
| mat'l code  |                | SEE NOTES |      | tolerances unless otherwise specified |                         | CUSTOMER COPY |                | www.ficconnect.com                         |       |
| ltr         | ecn no.        | dr        | date | linear                                | .XX ±.01/.X ±.3         | projection    |                | title                                      |       |
| G           |                |           |      | angles                                | .XXX ±.005/.XX ±.13     | INCH/MM       |                | IP + 24S + IP<br>RIGHT ANGLE SOLDER RECEPT |       |
|             |                |           |      | dr                                    | .XXXX ±.0020/.XXX ±.051 | scale         | product family | PwrBlade                                   | code  |
|             |                |           |      | enrg                                  | 0° ± 2°                 | 1:1           | size           | dwg no                                     | 213   |
|             |                |           |      | chr                                   |                         |               | 51416          |  | sheet |
|             |                |           |      | appd                                  |                         |               |                |  | 4     |
| sheet index | revision sheet |           |      |                                       |                         |               |                |  |       |

cage code 22526

Pro/E

Tous droits strictement reserves. Reproduction ou communication a des tiers interdite sous quelque forme que ce soit sans autorisation écrite du propriétaire. Propriete de c FCI. Droits de reproduction FCI.

All rights strictly reserved. Reproduction or issue to third parties in any form whatever is not permitted without written authority from the proprietor. Property of FCI. Copyright FCI.

PRODUCT NUMBER  
51416-00X  
NOTE (3)

NOTES:

1. DIMENSIONS AND TOLERANCES ARE IN ACCORDANCE WITH ASME Y14.5M, 1994 UNLESS OTHERWISE SPECIFIED.

CONNECTOR NOTES:

2. HOUSING MATERIAL: UL 94 V-0 GLASS FILLED HIGH-TEMP THERMOPLASTIC  
POWER CONTACT MATERIAL: COPPER ALLOY  
SIGNAL PIN MATERIAL: COPPER ALLOY

3. PLATING(51416-00X STAND FOR 51416-001 AND 51416-002)

△ SEE ITEM 5 & 6 IN PRINT 10064183 FOR PLATING SPEC OF 51416-00X AND 51416-00XLF RESPECTIVELY

4. MANUFACTURER'S NAME, P/N, AND DATE CODE TO APPEAR ON THIS SURFACE.

5. PRODUCT SPECIFICATION GS-12-149.  
APPLICATION SPECIFICATION BUS-20-067.

PCB NOTES:

6. ALL HOLE DIAMETERS ARE FINISHED HOLE SIZE.
7. MOUNTING HOLES, WHERE APPLICABLE, ARE UNPLATED.
8.  $\varnothing .0453 \pm 0.0010$  [ $1.151 \pm 0.025$ ] DRILLED HOLES PLATED WITH  $.0003$  [0.008] MIN SnPb OVER  $.001$  [0.03] TO  $.003$  [0.08] Cu PLATING TO ACHIEVE  $\varnothing .040 \pm .003$  [ $1.02 \pm .07$ ] HOLE.
9. "DIM XXX" TO BE DETERMINED BY THE CUSTOMER.
10. CONNECTOR KEEP-OUT ZONE.
11. A △ SYMBOL WILL BE NEXT TO ANY DIMENSION, VIEW, OR NOTE WHICH HAS BEEN MODIFIED WITH THE CURRENT DRAWING REVISION.

|             |                |           |      |                                       |                        |            |                           |                    |       |
|-------------|----------------|-----------|------|---------------------------------------|------------------------|------------|---------------------------|--------------------|-------|
| mat'l code  |                | SEE NOTES |      | tolerances unless otherwise specified |                        | CUSTOMER   |                           | FCJ                |       |
| ltr         | ecn no.        | dr        | date | linear                                | .XX±.01/0.X±0.3        | COPY       |                           | www.fciconnect.com |       |
| G           |                |           |      | linear                                | .XXX±.005/0.XX±0.13    | projection | title IP + 24S + IP       |                    |       |
|             |                |           |      | angles                                | .XXX±.0020/0.XXX±0.051 |            | RIGHT ANGLE SOLDER RECEPT |                    |       |
|             |                |           |      | dr                                    | 0°±2°                  | INCH/MM    | product family            | PwrBlade           | code  |
|             |                |           |      | enrg                                  | LEVEL 4 01-12-99       | scale      | size                      | dwg no             | 213   |
|             |                |           |      | chr                                   | J. BROWN 01-12-99      | 3:2        | A                         | 51416              | sheet |
|             |                |           |      | appd                                  | J. BROWN 01-12-99      |            |                           |                    | 5     |
| sheet index | revision sheet |           |      |                                       |                        |            |                           |                    |       |

THIS FILE WAS ORIGINALLY CREATED IN THE PRO ENGINEER ENVIRONMENT AND ANY FUTURE REVISIONS TO THIS FILE MUST BE MADE IN THE PRO ENGINEER ENVIRONMENT

1 | 2

3 |

4

1 | 2

Pro/E

3 |

cage code 22526

4