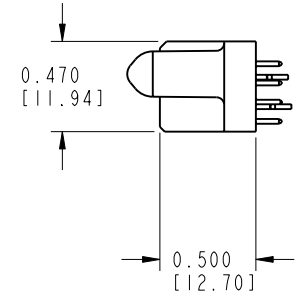
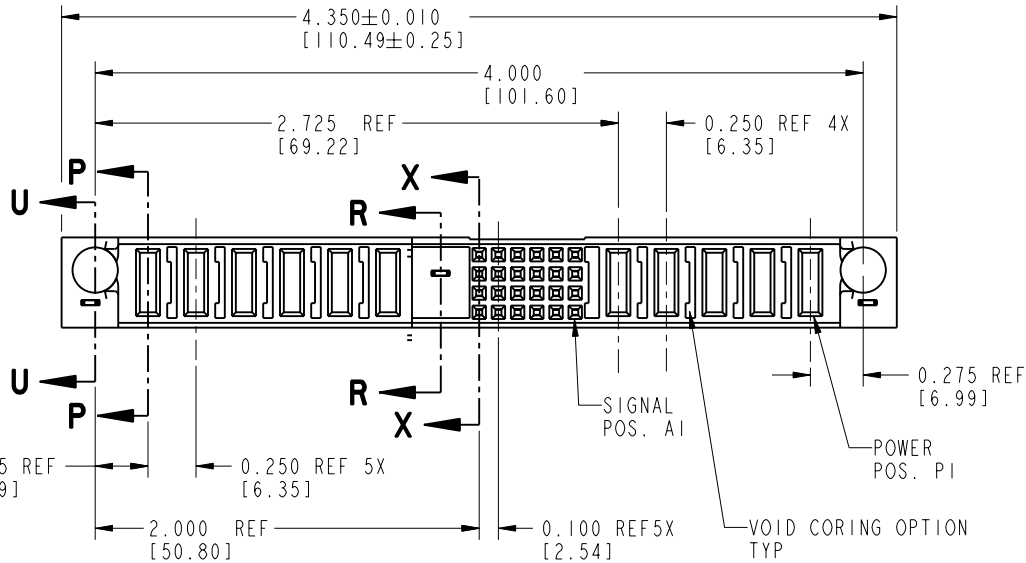
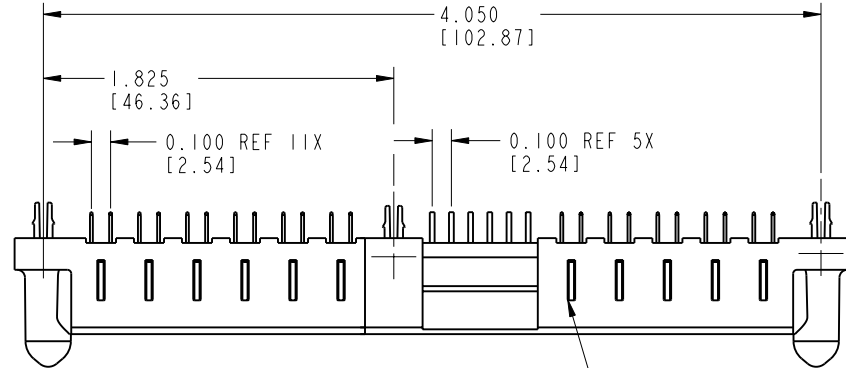


Tous droits strictement réservés. Reproduction ou communication o des liers interdite sous quelque forme que ce soit sans autorisation écrite du propriétaire. Propriete de c FCI. Droits de reproduction FCI.



All rights strictly reserved. Reproduction or issue to third parties in any form, whenever is not permitted without written authority from the proprietor. Property of FCI. Copyright FCI.

PRODUCT NUMBER
51413-XX001--
NOTE: ③



CONFIDENTIAL

mat'l code				SEE NOTES		tolerances unless otherwise specified		CUSTOMER COPY	
ltr	ecn no.	dr	date	linear	.XX ±.01/.X ±.3	projection		www.fciconnect.com	
A	V91387	SAR	06-14-99		.XXX ±.005/.XX ±.13	INCH/MM		title 5P + 24S + 1M + 6P VERTICAL SOLDER RECEPTACLE	
B	V00791	MSG	03-22-00	angles	.XXXX ±.0020/.XXX ±.051	scale 1:1		product family PwrBlade code 213	
C	V01285	EKK	06-01-00	dr	0° ± 2°			size dwg no 51413	
D	V01870	CHB	08-02-00	engr	LEVEL V 01-06-99			sheet 1 of 4	
E	DG05-0238	SJ	07/24/05	chr	J. BROWN 01-06-99				
F	DG06-0295	JMG	07/20/06	appd	J. BROWN 01-06-99				
sheet index		revision sheet		F	F	F	F		
				1	2	3	4		

THIS FILE WAS ORIGINALLY CREATED IN THE PRO ENGINEER ENVIRONMENT AND ANY FUTURE REVISIONS TO THIS FILE MUST BE MADE IN THE PRO ENGINEER ENVIRONMENT

cage code 22526

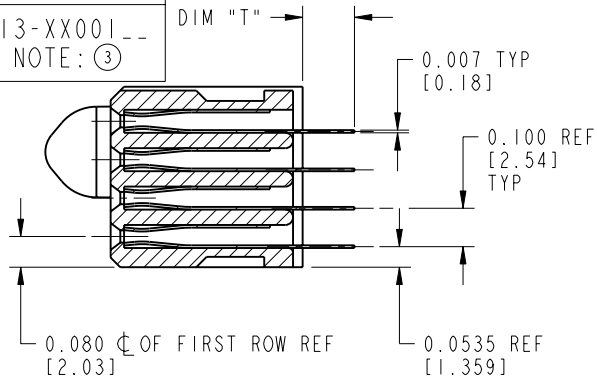
Pro/E

Tous droits strictement réservés. Reproduction ou communication o des liers interdite sous quelque forme que ce soit sans autorisation écrite du propriétaire. Propriete de c FCI. Droits de reproduction FCI.

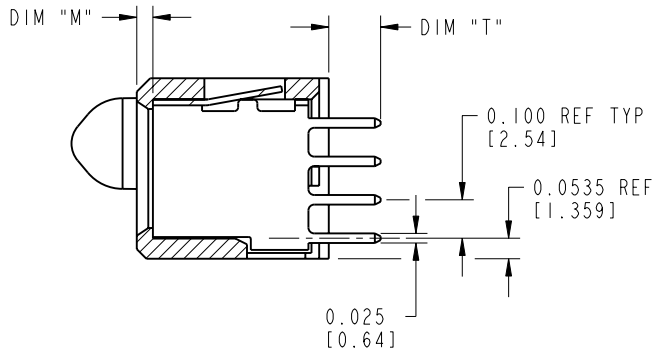


All rights strictly reserved. Reproduction or issue to third parties in any form, whomever is not permitted without written authority from the proprietor. Property of FCI. Copyright FCI.

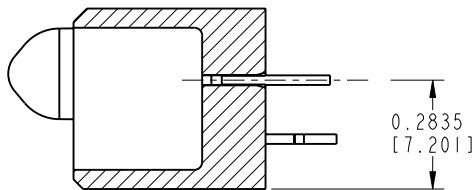
PRODUCT NUMBER
51413-XX001--
NOTE: ③



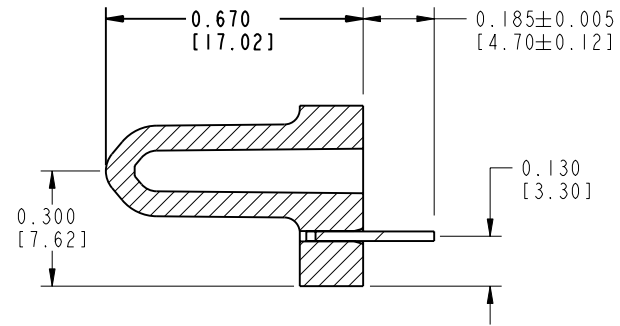
SECTION X-X



SECTION P-P



SECTION R-R



SECTION U-U

CONFIDENTIAL

mat'l code		NOTE 1		tolerances unless otherwise specified		CUSTOMER COPY		FCI		www.fciconnect.com	
lfr	ecr no.	dr	date	linear	.XX ±.01/.X ±.3	projection	title		5P + 24S + 1M + 6P		
F				angles	.XXX ±.005/.XX ±.13		VERTICAL SOLDER RECEPTACLE		product family		
				dr	.XXXX ±.0020/.XXX ±.051		INCH/MM		Pwr Blade		code
				engr	0° ± 2°	scale		size		213	
				chr	J. BROWN 01-06-99	2:1		dwg no		sheet	
				appd	J. BROWN 01-06-99	A		51413		2	
sheet index		revision sheet									

Pro/E

cage code 22526

PDM: Rev:F

STATUS: Released

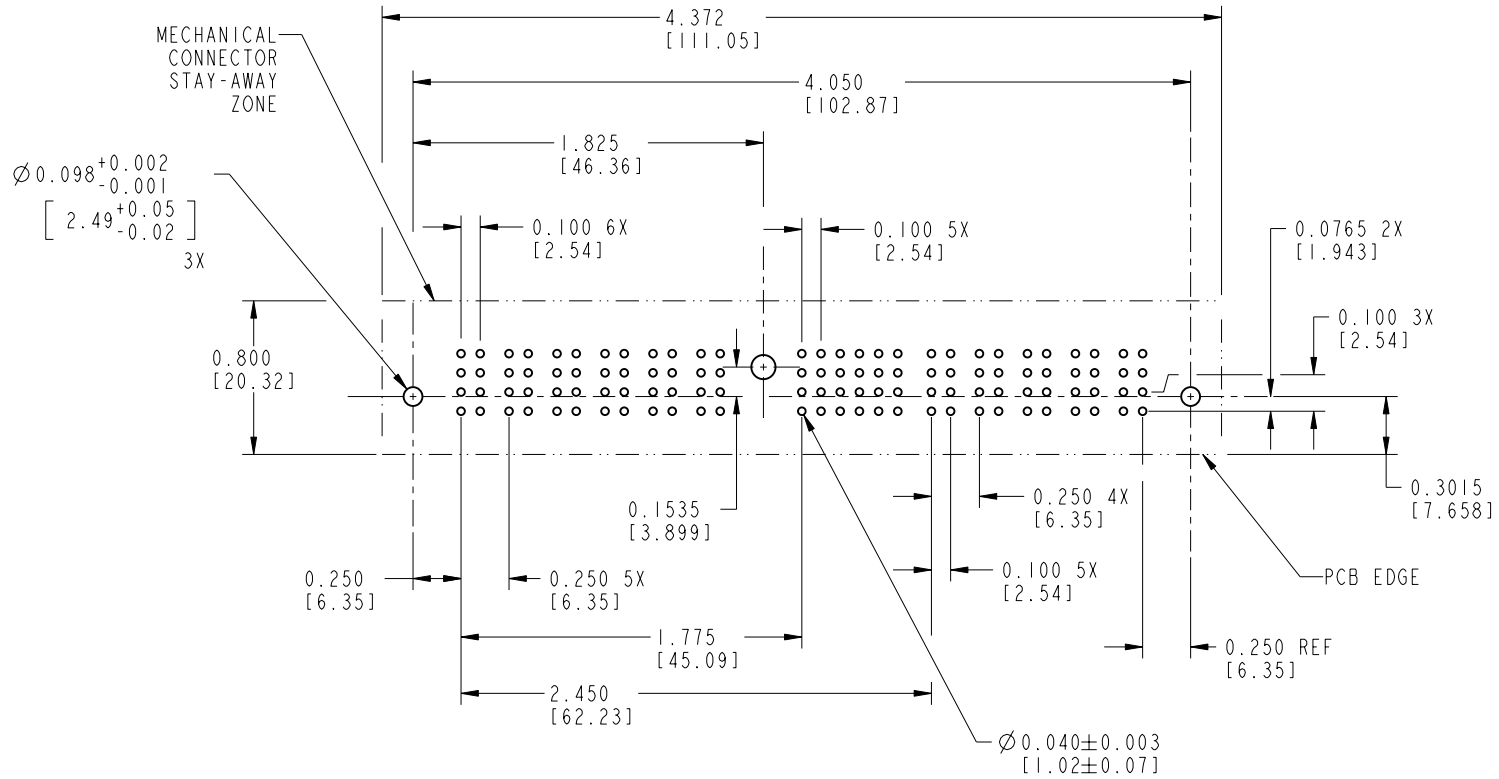
Printed: Aug 11, 2007

Tous droits strictement réservés. Reproduction ou communication o des liens interdite sous quelque forme que ce soit sans autorisation écrite du propriétaire. Propriete de c FCI. Droits de reproduction FCI.



All rights strictly reserved. Reproduction or issue to third parties in any form, whenever is not permitted without written authority from the proprietor. Property of FCI. Copyright FCI.

PRODUCT NUMBER
51413-XX001--
NOTE: ③



RECOMMENDED PCB LAYOUT

CONFIDENTIAL

mat'l code				tolerances unless otherwise specified		CUSTOMER COPY		FCI	
lfr	ecn no.	dr	date	linear	XX ± .01 / .X ± .3	projection	www.fciconnect.com		
F				angles	XXX ± .005 / .XX ± .13		title 5P + 24S + 1M + 6P VERTICAL SOLDER RECEPTACLE		
				dr	0° ± 2°	INCH/MM	product family	Pwr Blade	code
				engr	LEVEL V 01-06-99	scale	size	dwg no	213
				chr	J. BROWN 01-06-99	1:1	A	51413	sheet 3 of 4
				appd	J. BROWN 01-06-99				
sheet index	revision sheet								

cage code 22526

Pro/E

PDM: Rev:F

STATUS: Released

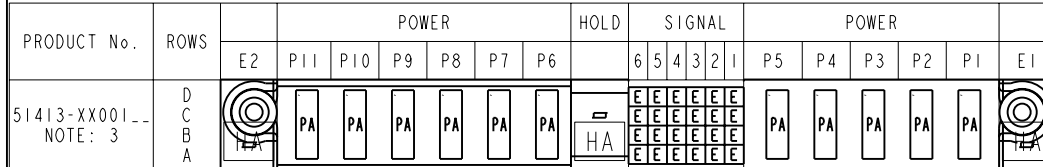
Printed: Aug 11, 2007

Tous droits strictement réservés. Reproduction ou communication o des liers interdite sous quelque forme que ce soit sans autorisation écrite du propriétaire. Propriete de c FCI. Droits de reproduction FCI.



All rights strictly reserved. Reproduction or issue to third parties in any form, whomever is not permitted without written authority from the proprietor. Property of FCI. Copyright FCI.

PRODUCT NUMBER	ITEM NO.	QTY	DIM "M" MATING LENGTH ±.010[0.25]	DIM "T" TAIL LENGTH ±.010[0.25]	CONTACT TYPE	PLATING FOR MATING	PLATING FOR TAIL
51413-XX001-- NOTE: 3	PA	11	0.042 [1.07]	0.135 [3.43]	POWER	30 u'' [.76um] Au	SnPb
	E	24	N/A [N/A]	0.135 [3.43]	SIGNAL	30 u'' [.76um] Au	Sn
	HA	3	N/A [N/A]	N/A [N/A]	HOLD-DOWN	N/A [N/A]	SnPb



CONNECTOR NOTES:

- HOUSING MATERIAL: GLASS FILLED HIGH TEMP THERMO PLASTIC, FLAME RETARDANT PER UL94 V-0.
SIGNAL CONTACT MATERIAL: COPPER ALLOY
POWER CONTACT MATERIAL: COPPER ALLOY
- MANUFACTURER NAME, P/N, AND LOT CODE TO APPEAR ON THIS SURFACE.
- 51413-XX001;51413-XX001LF;51413-XX001GLF PLATING SPEC. SEE PRINT:10064183

PCB NOTES

- ALL DIMENSIONS ARE BASIC UNLESS OTHERWISE SPECIFIED
- ALL THROUGH HOLES ARE LOCATED WITH A TRUE POSITION OF 0.004"
- ALL DIAMETERS ARE FINISHED HOLE SIZES
- Ø0.098" THROUGH HOLES ARE UNPLATED

CONFIDENTIAL

mat'l code				tolerances unless otherwise specified				CUSTOMER COPY		FCI		www.fciconnect.com	
ltr	ecr no.	dr	date	linear	XX ±.01/.X ±.3		projection		title				
F					XXX ±.005/.XX ±.13				5P + 24S + 1M + 6P VERTICAL SOLDER RECEPTACLE				
				angles	0° ± 2°		INCH/MM	scale	product family		code		
				dr	LEVL V	01-06-99			Pwr Blade		213		
				engr	J. BROWN	01-06-99	1:1	A	size		sheet		
				chr	J. BROWN	01-06-99			51413		4 of 4		
				appd	J. BROWN	01-06-99							
sheet index		revision sheet											

Pro/E 3 coge code 22526 4