

番号 NO.	名称 NAME	材料 MATERIAL
①	ハウジング HOUSING	液晶ポリマー (LCP) LIQUID CRYSTAL POLYMER (LCP)
②	カムスライダー CAM SLIDER	液晶ポリマー (LCP) LIQUID CRYSTAL POLYMER (LCP)
③	ターミナル TERMINAL	銅合金 接触部: 金めっき 0.5µm MIN. (t=0.2) 封孔処理済 テール部: 錫めっき 2µm MIN. 下地: ニッケルめっき 1µm MIN. COPPER ALLOY, CONTACT AREA: Au(0.5µm MIN.) SEALING DISPOSITION TAIL AREA: Sn (2µm MIN.) UNDER: Ni(1µm MIN.)
④	シェル SHELL	ステンレス鋼 基板実装部: 金めっき 0.02µm MIN. (t=0.15) 下地: ニッケルめっき 0.5µm MIN. STAINLESS STEEL, NAIL AREA: (0.02µm MIN.), UNDER: Ni(0.5µm MIN.)
⑤	スプリング SPRING	ピアノ線 SWP
⑥	ピン PIN	ステンレス鋼 STAINLESS STEEL
⑦	ディテクト レバー DETECT LEVER	銅合金 接触部、テール部: 金めっき 0.2µm MIN. (t=0.15) 下地: ニッケルめっき 1µm MIN. COPPER ALLOY, CONTACT, TAIL AREA: Au(0.2µm MIN.) UNDER: Ni(1µm MIN.)
⑧	ディテクト スイッチ DETECT SWITCH	銅合金 接触部、テール部: 金めっき 0.2µm MIN. (t=0.15) 下地: ニッケルめっき 1µm MIN. COPPER ALLOY, CONTACT, TAIL AREA: Au(0.2µm MIN.) UNDER: Ni(1µm MIN.)

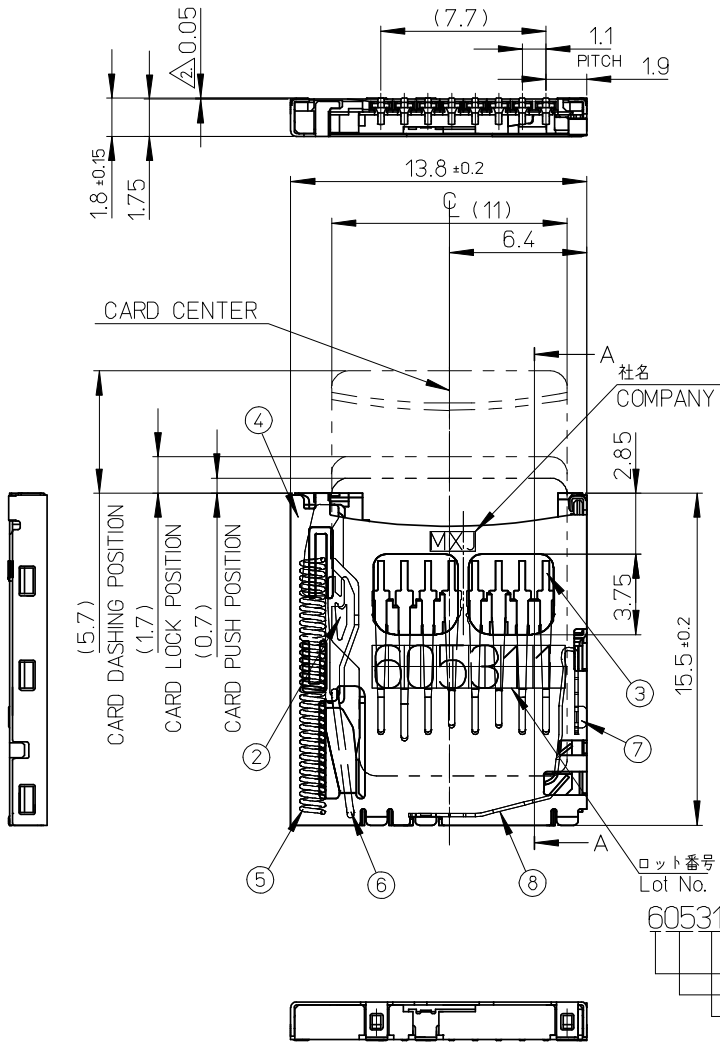
- NOTES
- ターミナル及びネイルの平坦度は0.1 MAX.
TERMINAL AND NAIL COPLANARITY TO BE 0.1 MAX.
 - △ スタンドオフ寸法 STAND OFF
 - △ パターン禁止エリア
PATTERN PROHIBITION AREA
 - カード検知スイッチ
DETECT SWITCH

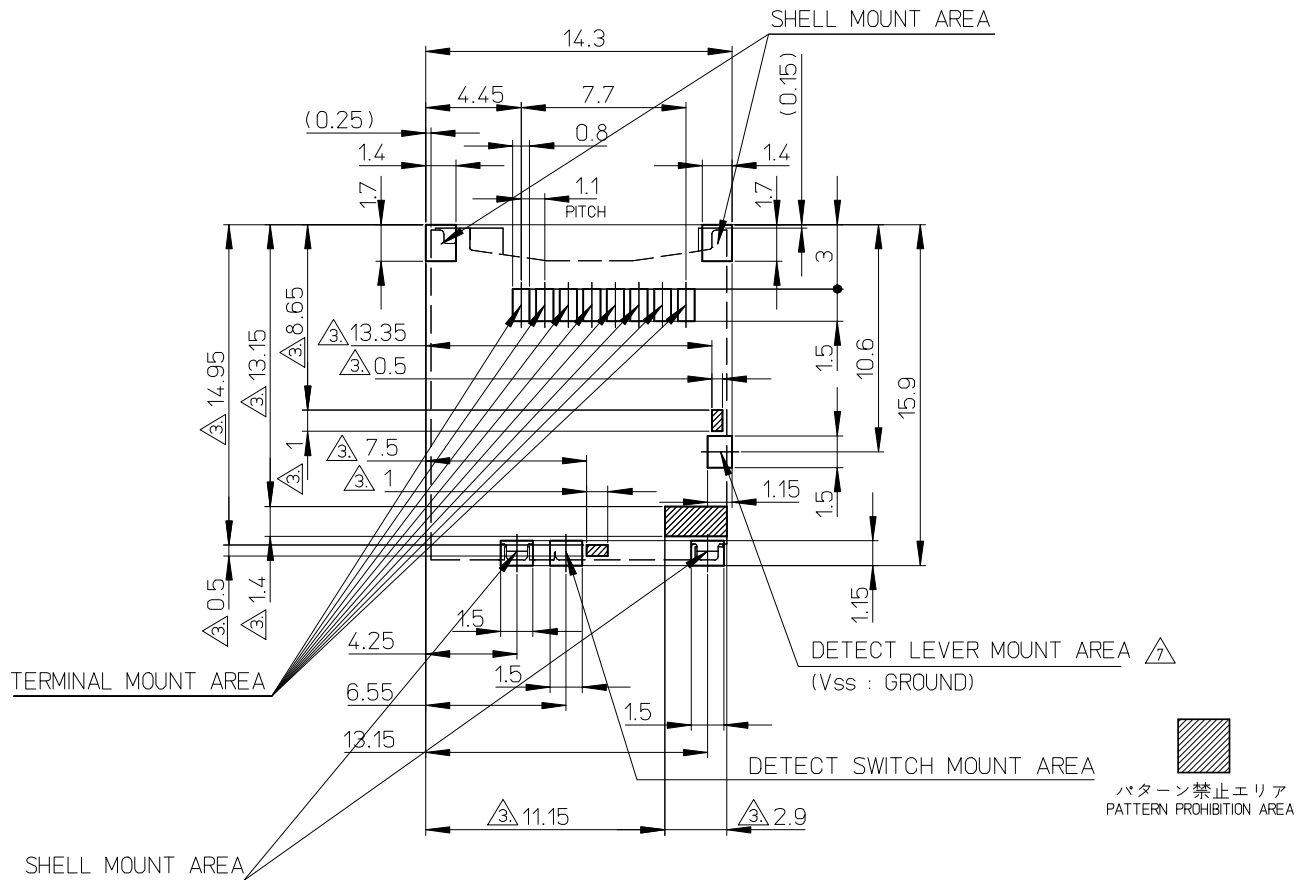
カード挿入時 CARD INSERTING POSITION	クローズ CLOSE
カード未挿入時 NO CARD	オープン OPEN
 - 肉抜き位置は任意とする。CAVITY IS TO BE OPTIONAL.
 - ロット印字は任意とする。LOT NUMBERING IS TO BE OPTIONAL.
 - △ GND 推奨パターン GND RECOMMENDED PATTERN.
 - ELV 及びRoHS 適合品 ELV AND RoHS COMPLIANT

EMBOSSED TAPE	502570-0893	502570-08**
CONNECTOR ONLY	502570-0831	
PACKAGE	MATERIAL NO.	MODEL NO.

RELEASED EC NO: J2008-3223 DRW: HAYASHI CH: K: THARUYAMA APPR: NUKITA 2008/03/10 2008/03/11 2008/03/11	GENERAL TOLERANCES (UNLESS SPECIFIED)		DIMENSION STYLE MM ONLY		SCALE 4:1	DESIGN UNITS METRIC	THIRD ANGLE PROJECTION	
	10 UNDER	±0.2	DRAWN BY YMATSUMOTO	DATE 07/09/10	TITLE MICROSD CARD CONN. (P/P & NORMALSMALL TYPE)			
	10 OVER 30 UNDER	±0.25	CHECKED BY MTOMITA	DATE 07/09/10				
	30 OVER	±0.3	APPROVED BY MASAO	DATE 07/09/10	MOLEX INCORPORATED			
	ANGULAR	±1	MATERIAL NO.	DOCUMENT NO.				
DRAFT WHERE APPLICABLE MUST REMAIN WITHIN DIMENSIONS			SEE TABLE		SD-502570-001		1 OF 2	

- Pin No.1: DAT2
- Pin No.2: CD/DAT3²
- Pin No.3: CMD
- Pin No.4: VDD
- Pin No.5: CLK
- Pin No.6: Vss
- Pin No.7: DAT0
- Pin No.8: DAT1





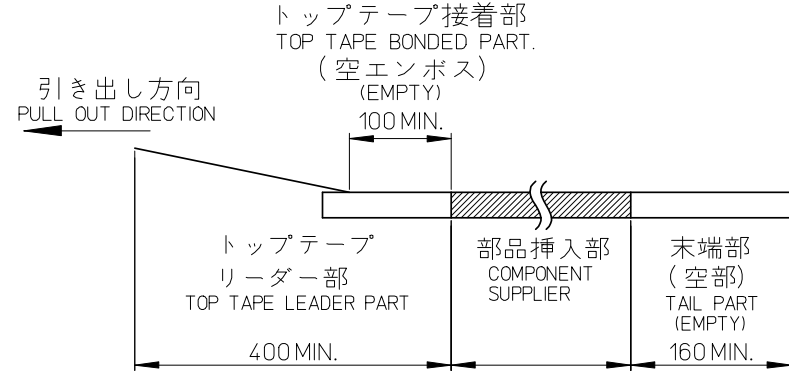
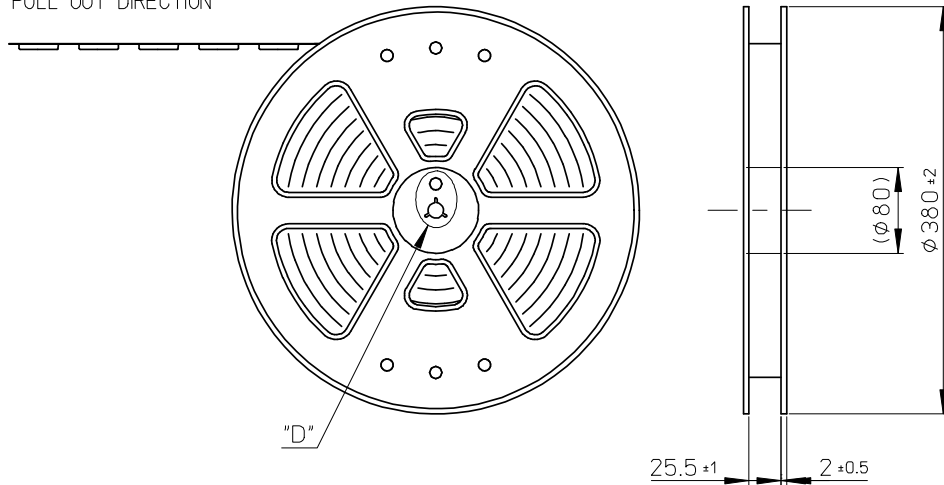
RECOMMENDED
PCB PATTERN LAYOUT
(GENERAL TOLERANCE ±0.05)

RELEASED EC NO: J2008-3223 DRW: HAYASHI 2008/03/10 CHK: THARUYAMA 2008/03/11 APPR: NUKITA 2008/03/11	GENERAL TOLERANCES (UNLESS SPECIFIED)		DIMENSION STYLE MM ONLY		SCALE 4:1	DESIGN UNITS METRIC	THIRD ANGLE PROJECTION	
	10 UNDER	±0.2	DRAWN BY YMATSUMOTO	DATE 07/09/10	TITLE MICROSD CARD CONN. (P/P & NORMALSMALL TYPE)			
	10 OVER 30 UNDER	±0.25	CHECKED BY MTOMITA	DATE 07/09/10				
	30 OVER	±0.3	APPROVED BY MSASAO	DATE 07/09/10	MOLEX INCORPORATED MATERIAL NO. SEE SHEET 1 DOCUMENT NO. SD-502570-001 SHEET NO. 2 OF 2			
	ANGULAR	±1 °	DRAFT WHERE APPLICABLE MUST REMAIN WITHIN DIMENSIONS					
0	DESCRIPTION	SIZE A3 THIS DRAWING CONTAINS INFORMATION THAT IS PROPRIETARY TO MOLEX INCORPORATED AND SHOULD NOT BE USED WITHOUT WRITTEN PERMISSION						

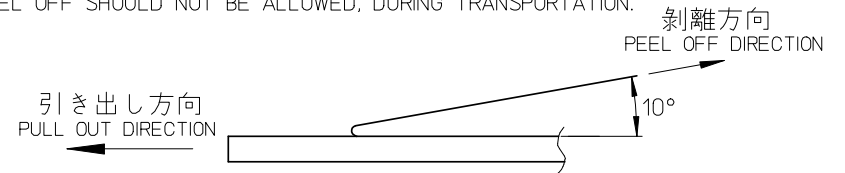
NOTES

- 製品詳細寸法については、SD 図面を参照下さい。
RE DETAILED DIMENSION, SEE SALES DRAWING.
- 梱包数量：1300 個／リール
NUMBER OF CONNECTORS：1300 PCS/REEL.
- リードテープ長さ LEAD TAPE LENGTH.

引き出し方向
PULL OUT DIRECTION

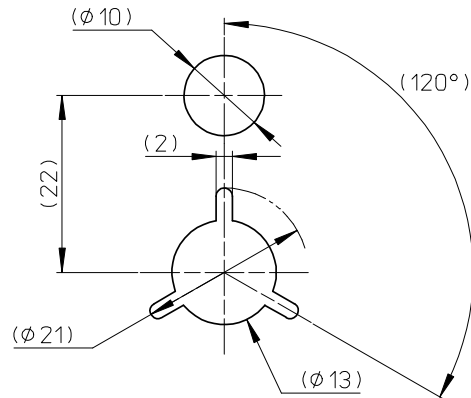


- トップテープの剥離強度：JIS C0806-3に準拠(剥離方向は下図参照)尚、本規格値は出荷時に適用。(但し、輸送時に剥離が発生しないこと。)
PEELING OFF FORCE OF TOP TAPE: BASED UPON JIS C0806-3 (PEELING DIRECTION AS SHOWN IN FOLLOWING FIG.) THIS REQUIREMENT SHOULD BE APPLIED AT SHIPMENT. PEEL OFF SHOULD NOT BE ALLOWED, DURING TRANSPORTATION.



- 材料 MATERIAL
キャリアテープ (CARRIER TAPE)：ポリスチレン (POLYSTYRENE)
トップテープ (TOP TAPE)：PET, PE, PEF
リール (REEL)：ポリスチレン (PS) <リサイクル材含む>
POLYSTYRENE (PS) <RECYCLE MATERIAL CONTAINED>

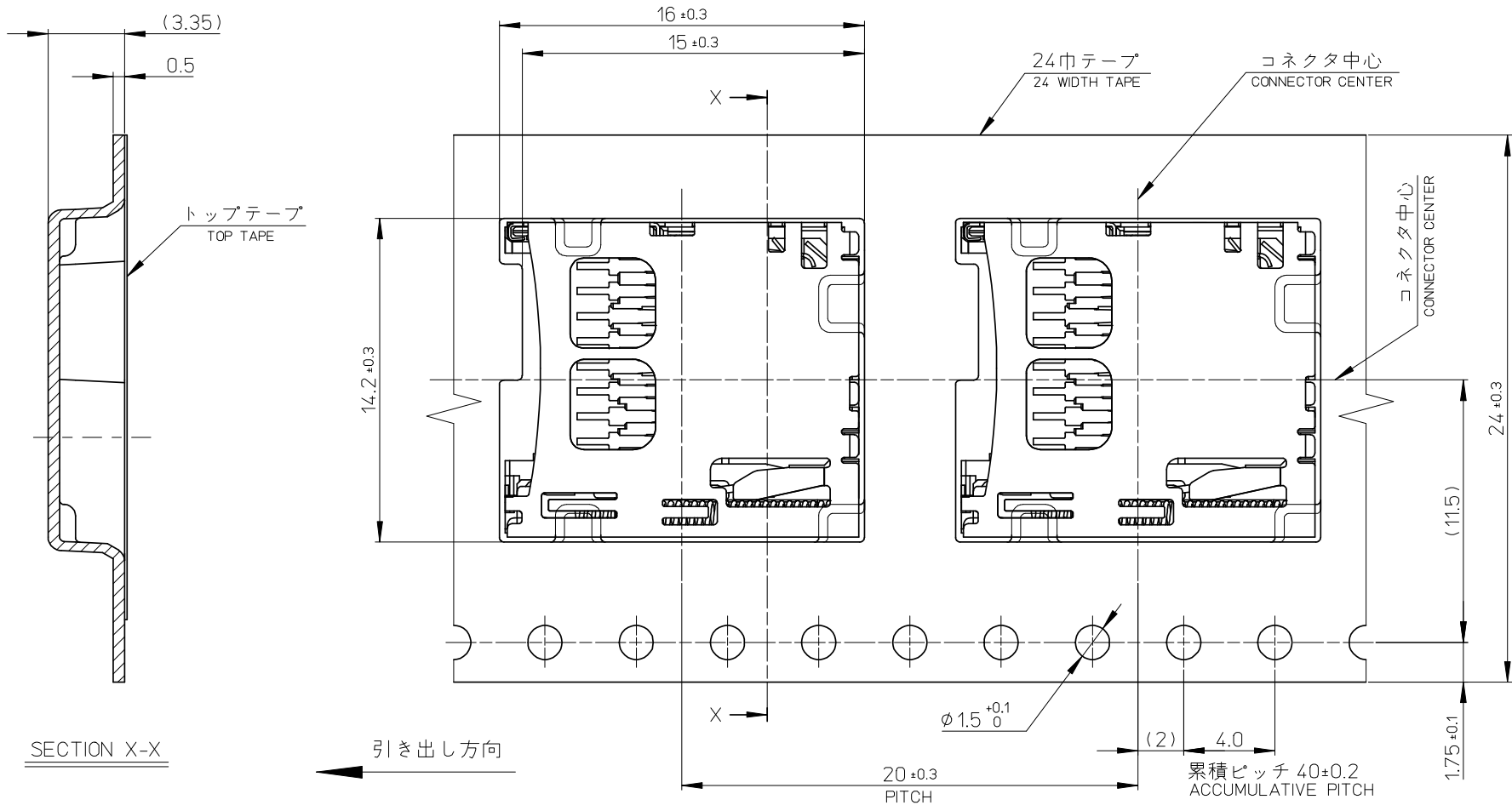
8. ELV及びRoHS適合品 ELV AND RoHS COMPLIANT



DETAIL "D"

502570-0831	502570-0893	502570-08**
CONNECTOR	MATERIAL NO.	MODEL NO.

RELEASED EC NO: J2008-3223 DR: W. H. Y. J. I. M. A. 2008/03/10 CH: K. D. T. H. A. R. U. Y. A. M. A. 2008/03/11 APPR: N. U. K. I. T. A. 2008/03/11	GENERAL TOLERANCES (UNLESS SPECIFIED)		DIMENSION STYLE MM ONLY		SCALE 4:1	DESIGN UNITS METRIC	THIRD ANGLE PROJECTION	
	10 UNDER	±0.2	DRAWN BY YMATSUMOTO	DATE 07/09/10	TITLE MICROSD CARD CONN. EMBOSSED TYPE PACKAGE FOR 502570-08**			
	10 OVER 30 UNDER	±0.25	CHECKED BY MTOMITA	DATE 07/09/10				
	30 OVER	±0.3	APPROVED BY MSASAO	DATE 07/09/10	MOLEX INCORPORATED DOCUMENT NO. SD-502570-002			
	ANGULAR	±1 °	MATERIAL NO.					
DRAFT WHERE APPLICABLE MUST REMAIN WITHIN DIMENSIONS		SEE TABLE		THIS DRAWING CONTAINS INFORMATION THAT IS PROPRIETARY TO MOLEX INCORPORATED AND SHOULD NOT BE USED WITHOUT WRITTEN PERMISSION				



SECTION X-X

引き出し方向

RELEASED EC NO: J2008-3223 DRW:HYAJIMA 2008/03/10 CH:K:THARUYAMA 2008/03/11 APPR:NUKITA 2008/03/11	GENERAL TOLERANCES (UNLESS SPECIFIED)		DIMENSION STYLE MM ONLY		SCALE 4:1	DESIGN UNITS METRIC	THIRD ANGLE PROJECTION		
	10 UNDER	± 0.2	DRAWN BY YMATSUMOTO	DATE 07/09/10	TITLE MICROSD CARD CONN. EMBOSSED TYPE PACKAGE FOR 502570-08**				
	10 OVER 30 UNDER	± 0.25	CHECKED BY MTOMITA	DATE 07/09/10					
	30 OVER	± 0.3	APPROVED BY MSASAO	DATE 07/09/10	MOLEX INCORPORATED				
	ANGULAR	± 1 °	MATERIAL NO.	DOCUMENT NO.					SHEET NO.
DRAFT WHERE APPLICABLE MUST REMAIN WITHIN DIMENSIONS		SEE SHEET 1		SD-502570-002	2 OF 2				
0	THIS DRAWING CONTAINS INFORMATION THAT IS PROPRIETARY TO MOLEX INCORPORATED AND SHOULD NOT BE USED WITHOUT WRITTEN PERMISSION								