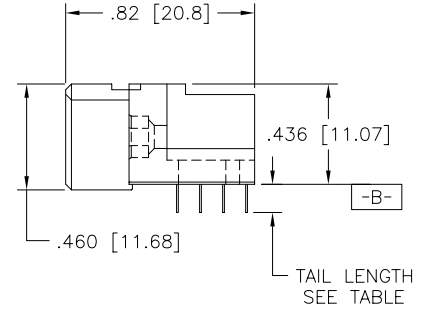
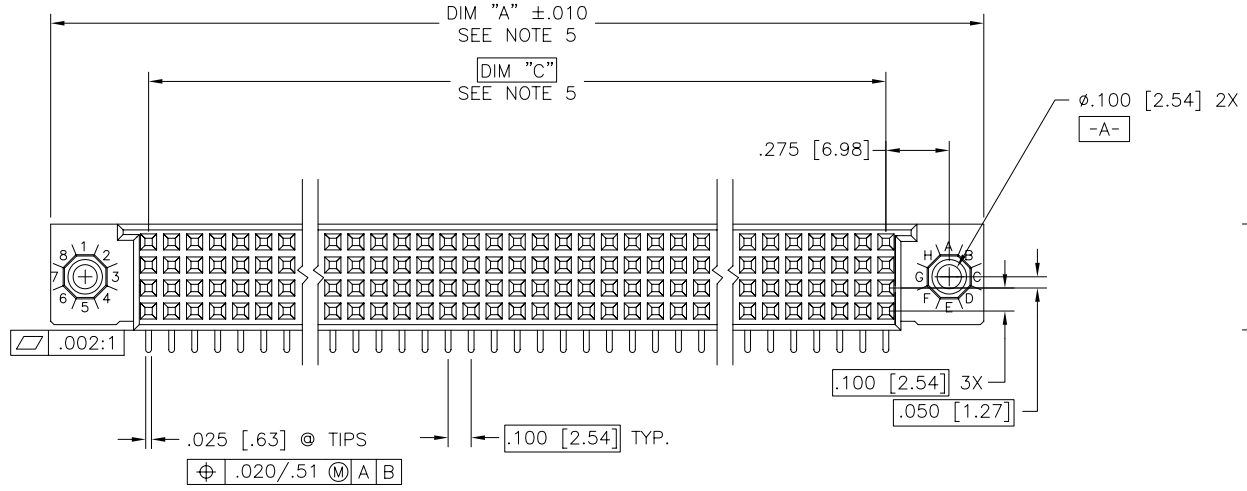
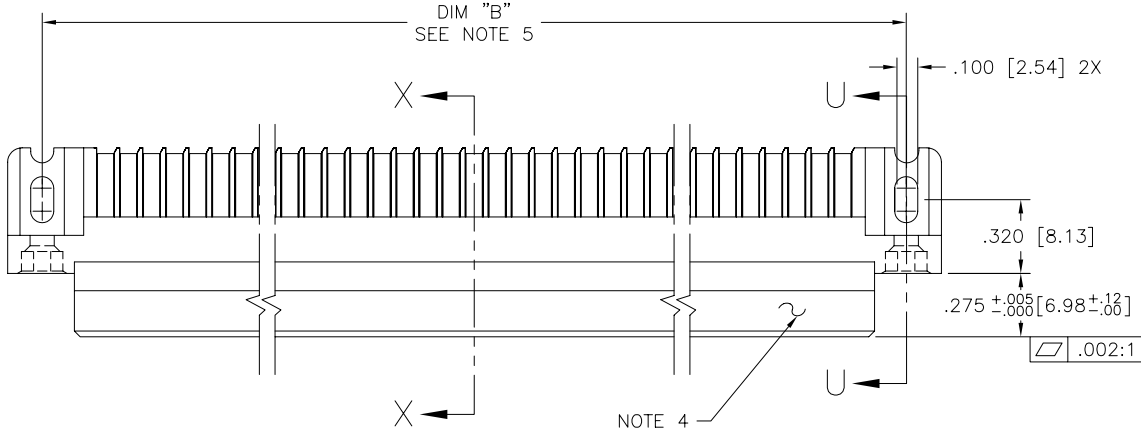


PRODUCT NUMBER  
SEE TABLE



FCI  
FCIconnect.com

Copyright FCI

mat'l. code SEE NOTE 3		surface ISO 1302 ✓	tolerance ISO 406 ISO 1101	projection INCH/MM	product family HPC
ltr	ecn no	dr	date	title 4 ROW R/A RECEPTACLE SOLDER TAIL, 0 GUIDE PIN	
J	V41511	GAH	10/13/94	scale 1:1	
K	V50266	SAR	9/5/95	sheet 1 of 4 size	
L	V82251	HTB	12/28/98	50003 A3	
M	V00253	JWS	1/12/00	type Product Customer Drawing	
N	V05-0513	DAI	10/19/05	R R R R	
P	M06-0283	MHT	7/27/06	R R R R	
R	M07-0136	AGS	2/26/07	R R R R	
sheet	revision	R	R	R	R
index	sheet	1	2	3	4

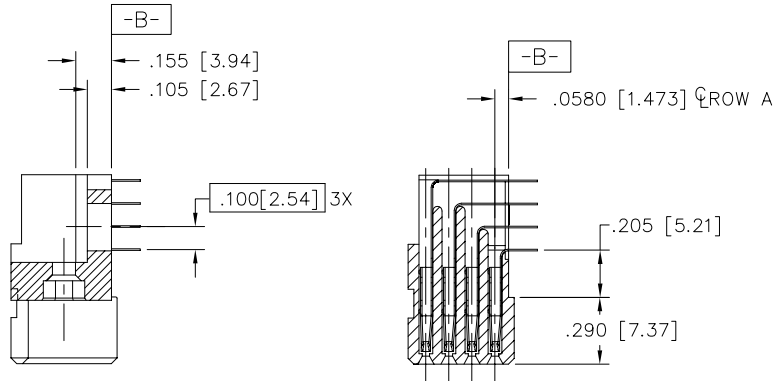
form: A3

PRODUCT NUMBER  
SEE TABLE

NOTES:

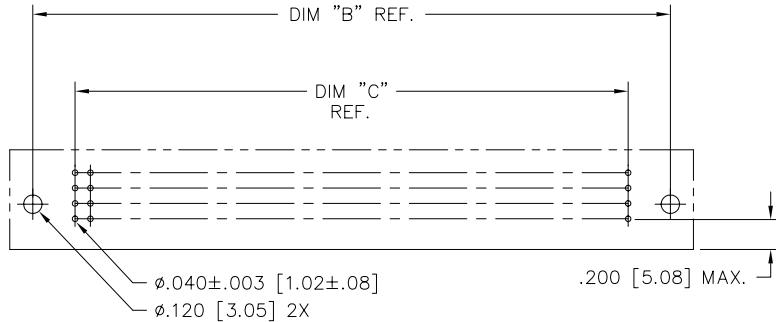
1. PRODUCT NUMBERING CODE:  
50003 - X YYY Z LF  
 LEAD FREE (OPTIONAL)  
 TAIL LENGTH SEE TABLE  
 NO. OF POSITIONS SEE NOTE 2  
 PLATING SEE TABLE  
 BASE NUMBER

- PRODUCT NUMBERING CODE FOR  
SELECT LOAD PART NUMBERS:  
50003 - XXYYY LF  
 LEAD FREE (OPTIONAL)  
 SEQUENCE NUMBER  
 ALWAYS 'XX'  
 BASE NUMBER



SECTION U-U

SECTION X-X



RECOMMENDED PCB LAYOUT  
(ALL HOLES LOCATED ON .100 [2.54] GRID  
UNLESS OTHERWISE SPECIFIED)

- ② THIS PRODUCT IS CONFIGURED IN SIZES OF  
6 THRU 80 COLUMNS IN INCREMENTS OF ONE.  
i.e.: 6,7,8,9.....79,80.
- ③ HOUSING MATERIAL: GLASS AND MINERAL FILLED THERMOPLASTIC.  
CONTACT MATERIAL: BeCu
- ④ COMPANY NAME, PART NUMBER AND LOT CODE TO  
APPEAR ON THIS SURFACE PER BUS-12-108.
- ⑤ LENGTH FORMULAS  
DIM A =  $.100/2.54 \times \text{NO. OF COLUMNS} + .75/19.1$   
DIM B =  $.100/2.54 \times \text{NO. OF COLUMNS} + .450/11.43$   
DIM C =  $.100/2.54 \times \text{NO. OF COLUMNS} - .100/2.54$
6. PRODUCT WITH 'LF' SUFFIX MEETS EUROPEAN UNION  
DIRECTIVES AND OTHER COUNTRY REGULATIONS AS  
DISCRIBED IN GS-22-008.
7. THIS HOUSING WILL WITHSTAND EXPOSURE TO 260° C PEAK  
TEMPERATURE FOR 10-30 SECONDS IN CONVECTION, INFRA-RED  
OR VAPOR PHASE REFLOW OVEN.
- ⑧ DUE TO SPECIAL PLATING, LF NOT AVAILABLE FOR 50003-XX002.

mat'l. code SEE NOTE 3		surface ISO 1302 ✓	tolerance ISO 406 ISO 1101	projection INCH/MM	product family HPC
ltr	ecn	no	dr	date	title
R					4 ROW R/A RECEPTACLE SOLDER TAIL, 0 GUIDE PIN
tolerances unless otherwise specified				angles	linear
				0°±2'	.XX±.01/.3 .XXX±.005/.13 .XXXX±.0020/.051
				dr	D.SHEAFER 1/7/90
				enr	S.CLARK 1/7/90
				chr	S.CLARK 1/7/90
				appd	S.CLARK 1/7/90
sheet index		revision sheet		scale 1:1	
				FCJ	
				dwg no 50003 sheet 2 of 4 size A3	
				type Product Customer Drawing	



PRODUCT NUMBER	NUMBER OF POSITIONS SEE NOTE 2	TAIL LENGTH	CONTACT PLATING	TAIL PLATING
50003-1YYYYE	YYY	.125±.010 / 3.18±0.25	30u" /0.76u Au	TIN/LEAD
50003-1YYYYELF	YYY	.125±.010 / 3.18±0.25	30u" /0.76u Au	TIN
50003-1YYYYF	YYY	.145±.010 / 3.68±0.25	30u" /0.76u Au	TIN/LEAD
50003-1YYYYFLF	YYY	.145±.010 / 3.68±0.25	30u" /0.76u Au	TIN
50003-1YYYYH	YYY	.180±.010 / 4.57±0.25	30u" /0.76u Au	TIN/LEAD
50003-1YYYYHLF	YYY	.180±.010 / 4.57±0.25	30u" /0.76u Au	TIN
50003-3YYYYE	YYY	.125±.010 / 3.18±0.25	50u" /1.27u Au	TIN/LEAD
50003-3YYYYELF	YYY	.125±.010 / 3.18±0.25	50u" /1.27u Au	TIN
50003-3YYYYF	YYY	.145±.010 / 3.68±0.25	50u" /1.27u Au	TIN/LEAD
50003-3YYYYFLF	YYY	.145±.010 / 3.68±0.25	50u" /1.27u Au	TIN
50003-5YYYYE	YYY	.125±.010 / 3.18±0.25	30u" /0.76u GXT	TIN/LEAD
50003-5YYYYELF	YYY	.125±.010 / 3.18±0.25	30u" /0.76u GXT	TIN
50003-5YYYYF	YYY	.145±.010 / 3.68±0.25	30u" /0.76u GXT	TIN/LEAD
50003-5YYYYFLF	YYY	.145±.010 / 3.68±0.25	30u" /0.76u GXT	TIN
50003-5YYYYH	YYY	.180±.010 / 4.57±0.25	30u" /0.76u GXT	TIN/LEAD
50003-5YYYYHLF	YYY	.180±.010 / 4.57±0.25	30u" /0.76u GXT	TIN
50003-XX002	YYY	.125±.010 / 3.18±0.25	80u" /2.03u Au	TIN/LEAD

NOTE 8



FCIconnect.com

Copyright FCI

mat'l. NOTE 8 SEE NOTE 3		surface ISO 1302 ✓	tolerance ISO 406 ISO 1101	projection 	product family HPC
ltr	ecn no	dr	date	tolerances unless otherwise specified	title
R				angles linear .XX±.01/.3 .XXX±.005/.13 .XXXX±.0020/.051	INCH/MM 4 ROW R/A RECEPTACLE SOLDER TAIL, 0 GUIDE PIN
				0°±2'	scale 1:1
		dr	D.SHEAFER	1/7/90	dwg no
		enr	S.CLARK	1/7/90	sheet 4 of 4
		chr	S.CLARK	1/7/90	size A3
		appd	S.CLARK	1/7/90	type Product Customer Drawing
sheet index	revision sheet				

