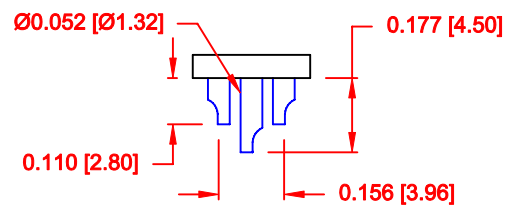
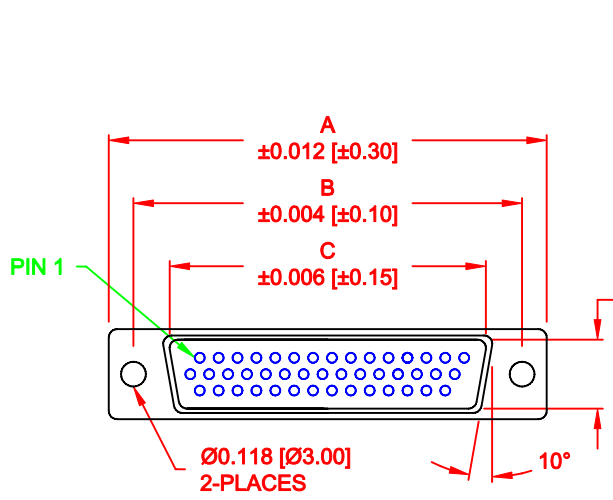
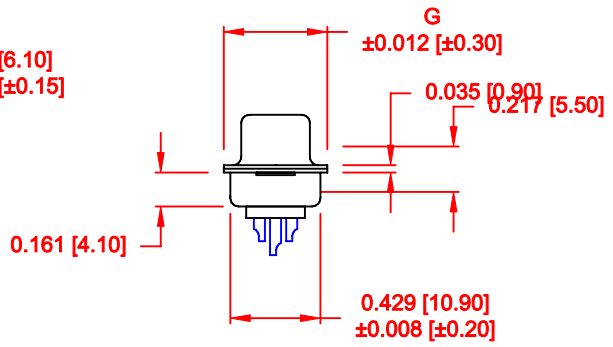
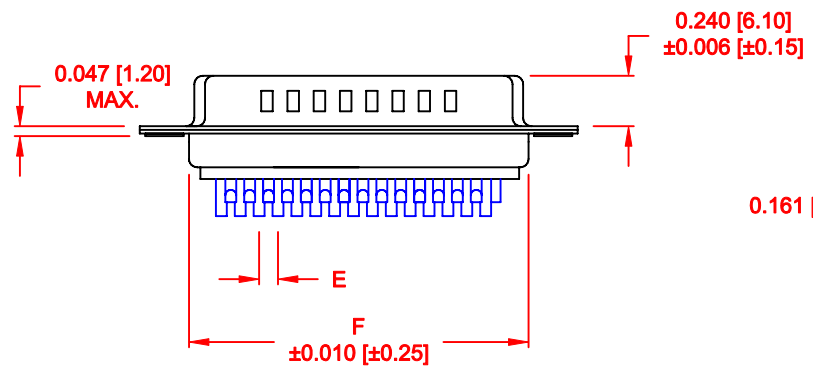


DESCRIPTION: HIGH DENSITY MALE - SOLDER CUP



4 ROWS



No. OF PINS	DIMENSIONS						
	A	B	C	D	E	F	G
15	1.213	0.984	0.666	0.329	0.090	0.756	0.496
	30.80	24.99	16.92	8.36	2.29	19.20	12.60
26	1.543	1.312	0.978	0.329	0.090	1.091	0.496
	39.20	33.32	25.25	8.36	2.29	27.70	12.60
44	2.087	1.852	1.534	0.329	0.090	1.618	0.496
	53.00	47.04	38.85	8.36	2.29	41.10	12.60
62	2.732	2.500	2.181	0.329	0.095	2.256	0.496
	69.40	63.50	55.40	8.36	2.41	57.30	12.60
78	2.638	2.406	2.079	0.445	0.095	2.169	0.606
	67.00	61.10	52.80	11.30	2.41	55.10	15.40

180-YYY-10YLYY1

- SERIES
- POSITIONS
 - 015
 - 026
 - 044
 - 062
 - 078
- GENDER
 - 1 = MALE
- TERMINATION
 - 0 = SOLDER CUP
- SHELL PLATING
 - 2 = TIN
 - 3 = NICKEL (GROUND INDENTS)
- RoHS COMPLIANT (230°C)
- HARDWARE OPTIONS
 - 00 = NO HARDWARE
 - 01 = .098" CLINCH NUT (BOARD SIDE)
 - 02 = .236" CLINCH NUT (BOARD SIDE)
 - 03 = .236" CLINCH NUT (MATING SIDE)
- PLATING OPTIONS
 - 1 = GOLD FLASH
 - 2 = 30u" GOLD

MATERIAL:

- SHELL: STEEL, TIN OR NICKEL PLATED
- INSULATOR: PBT, UL 94V-O RATED, +30% FIBER-GLASS OR NYLON-66
- CONTACT: BRASS, GOLD PLATED OVER NICKEL

ELECTRICAL:

- CURRENT RATING: 5 AMPS
- CONTACT RESISTANCE: 15 mOhms Max.
- INSULATION RESISTANCE: 1,000 MOhms min.
- VOLTAGE: 500VAC FOR 1 MINUTE
- TEMPERATURE: -50° C TO 100° C

NOTE: WILL ACCEPT UPTO 24 AWG WIRE

DO NOT SCALE FROM DRAWING

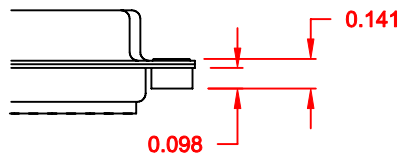
RoHS COMPLIANT

	THESE DRAWINGS AND SPECIFICATIONS ARE THE PROPERTY OF NorComp AND SHALL NOT BE REPRODUCED, COPIED OR USED AS THE BASIS FOR THE MANUFACTURE OF SALE OF APPARATUS WITHOUT WRITTEN PERMISSION.		DRAWN: WAYNE ROBBINS	DATE: 11-29-05
			CHECKED:	DATE:
NorComp		SCALE: 1 : 1	SHEET 1 OF 2	REV 10
		DWG NO. 180-YYY-10YLYY1		

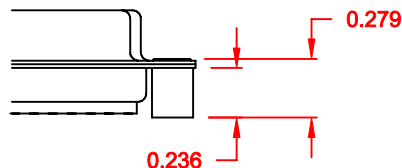
TOLERANCE:
ALL DIMENSIONS ARE ± 0.010

ALL CLINCH-NUTS ARE 4-40 INTERNAL THREADS

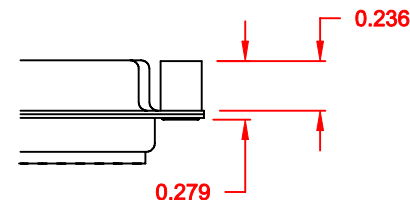
01X 0.098" (BOARD SIDE) - CN1



02X 0.236" (BOARD SIDE) - CN2



03X..... 0.236" (MATING SIDE) - CN8



DO NOT SCALE FROM DRAWING

	THESE DRAWINGS AND SPECIFICATIONS ARE THE PROPERTY OF NorComp AND SHALL NOT BE REPRODUCED, COPIED OR USED AS THE BASIS FOR THE MANUFACTURE OF SALE OF APPARATUS WITHOUT WRITTEN PERMISSION.		DRAWN: C. SMITH	DATE: 03-08-06	
			CHECKED:	DATE:	
<h1>NorComp</h1>			SCALE: FULL	SHEET 2 OF 2	REV 10
			DWG NO. 180-YYY-10YLYY1		

RoHS COMPLIANT