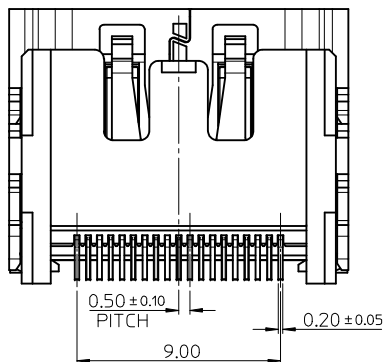
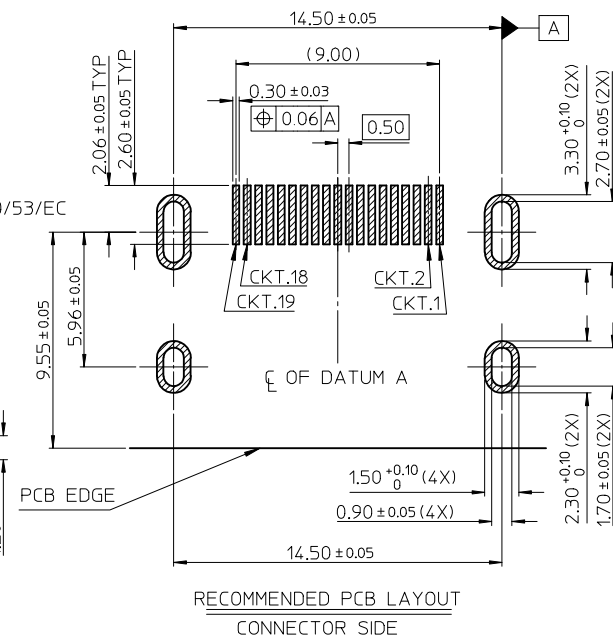
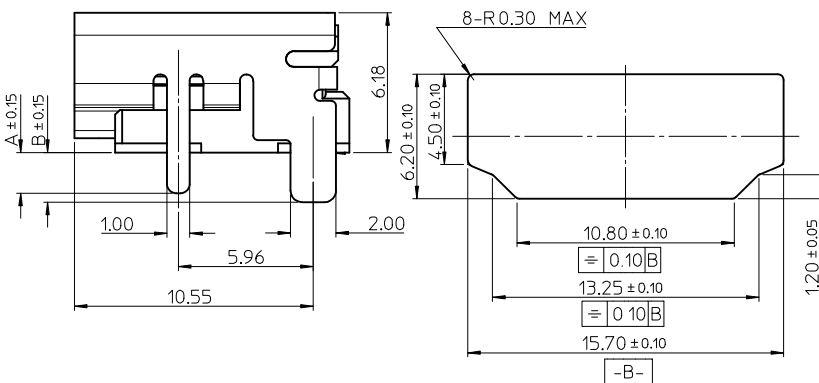
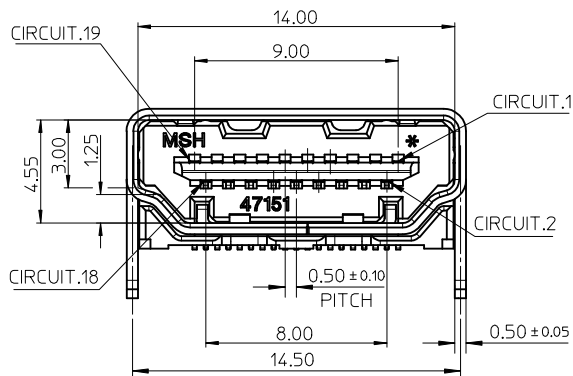
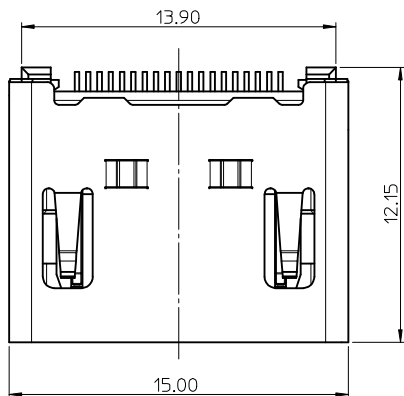
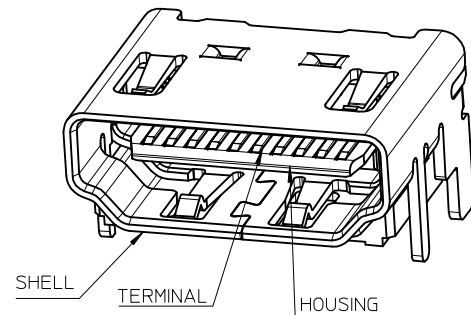


10 9 8 7 6 5 4 3 2 1

NOTES:

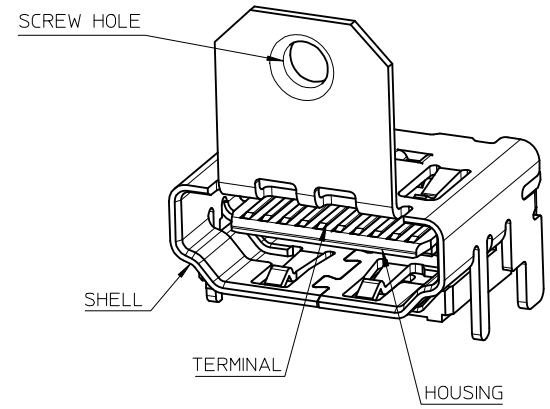
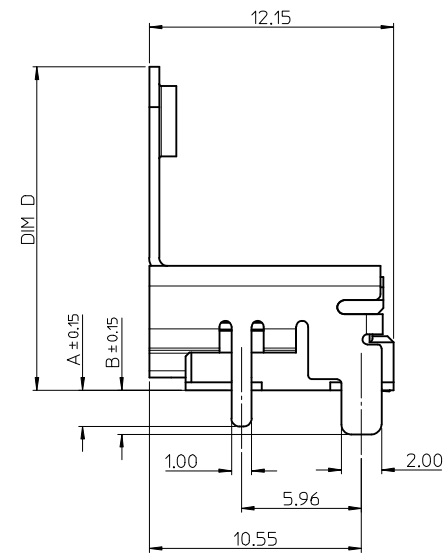
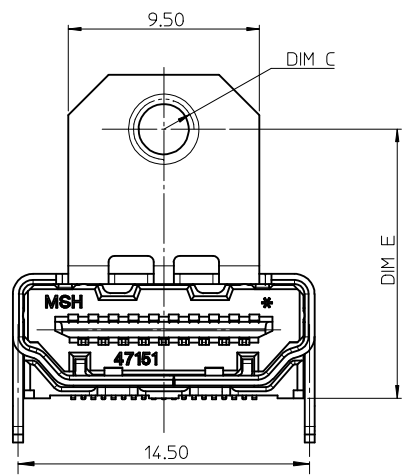
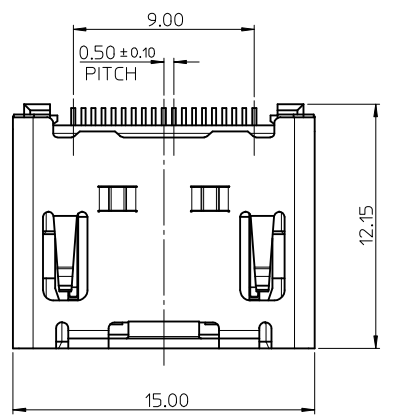
1. MATERIAL:
HOUSING: THERMOPLASTIC . COLOR: SEE TABLE.
SHELL: COPPER ALLOY.
TERMINAL: COPPER ALLOY.
2. PLATING:
TERMINAL:
CONTACT AREA: (1) 0.76 MICROMETER MIN. GOLD PLATING.
(2) 0.25 MICROMETER MIN. GOLD PLATING.
(3) GOLD FLASH.
(4) 0.375 MICROMETER MIN. GOLD PLATING.
SOLDER AREA: 1 MICROMETER MIN. TIN-BISMUTH ALLOY PLATED.
UNDER PLATE: 1.27 MICROMETER MIN. NICKEL.
SHELL: (a) 1.27 MICROMETER MIN. SOLDERABLE NICKEL PLATE OVERALL.
(b) GOLD FLASH PLATING OVER 1.27 MICROMETER MIN. NICKEL PLATING OVERALL.
3. COPLANARITY IS 0.1MM MAX.
4. PRODUCT SPECIFICATION REFER TO PS-47152-001.
5. PACKAGE SPECIFICATION FOR WITHOUT FLANGE REFER TO PK-47151-001.
6. PRODUCT COMPLIANT TO RoHS DEIRECTIVE 2002/95/EC AND ELV DIRECTIVE 2000/53/EC



RECOMMENDED PANEL CUT OUT DIMENSION

REVISED EC NO: DRW: CWTANG CHKD: APPR:	DESCRIPTION REV	QUALITY SYMBOLS = 0 = 0	GENERAL TOLERANCES (UNLESS SPECIFIED)		DIMENSION STYLE MM ONLY		SCALE 5:1	DESIGN UNITS METRIC	THIRD ANGLE PROJECTION	
			mm	INCH	DRAWN BY RZHANG	DATE 2004/07/20	TITLE 1.0 HDMI RIGHT ANGLE HEADER ASSEMBLY(19 PIN) LEAD FREE			
			4 PLACES ± --- ± ---	3 PLACES ± --- ± ---	CHECKED BY GRMA	DATE 2004/07/20	MOLEX INCORPORATED			
			2 PLACES ± 0.25 ± ---	1 PLACE ± --- ± ---	APPROVED BY YTYAP	DATE 2004/07/20	DOCUMENT NO. SD-47151-001			
			ANGULAR ± 3 °		MATERIAL NO. SEE SHEET 6		SHEET NO. 1 OF 7			
DRAFT WHERE APPLICABLE MUST REMAIN WITHIN DIMENSIONS			THIS DRAWING CONTAINS INFORMATION THAT IS PROPRIETARY TO MOLEX INCORPORATED AND SHOULD NOT BE USED WITHOUT WRITTEN PERMISSION							

9 8 7 6 5 4 3 2 1

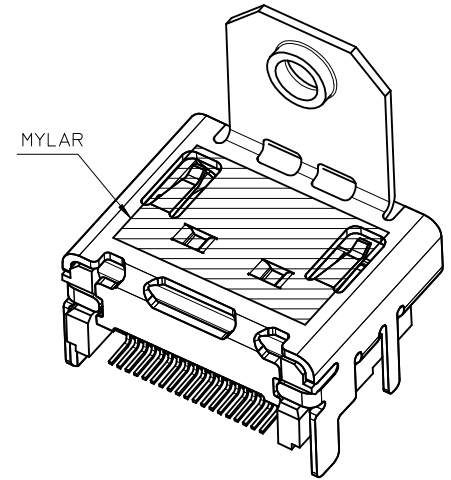
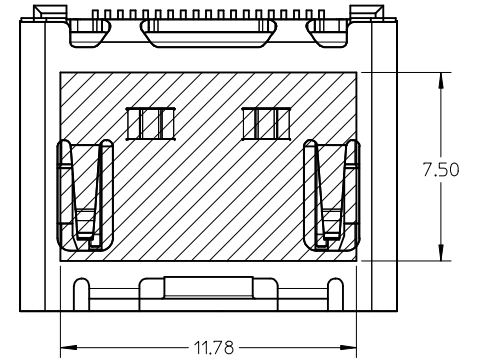
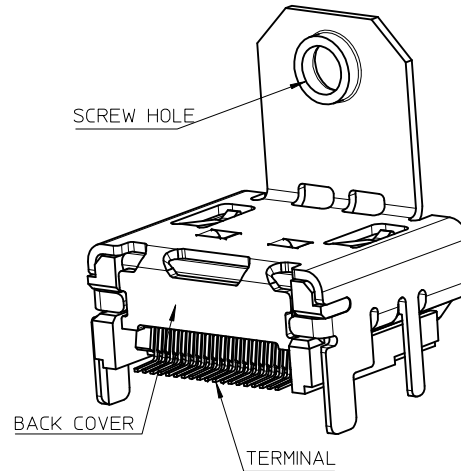
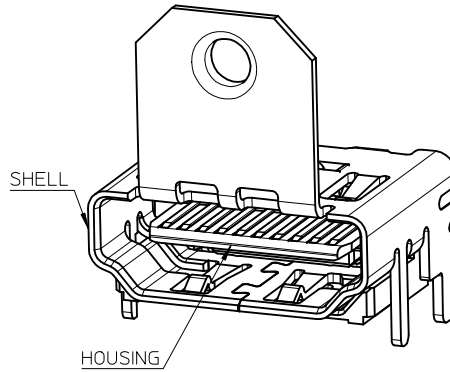
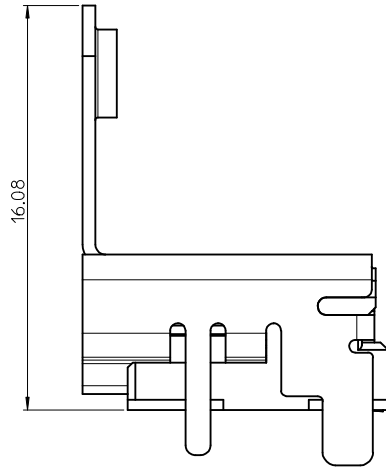
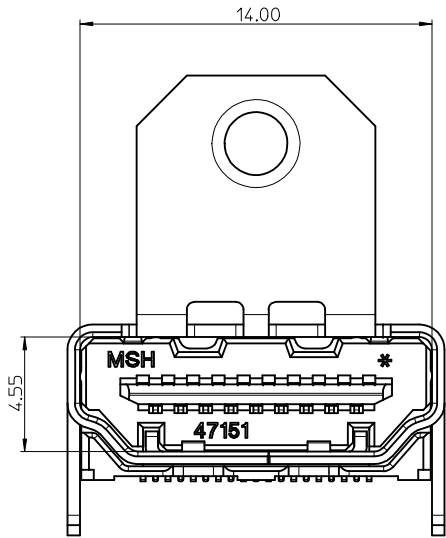
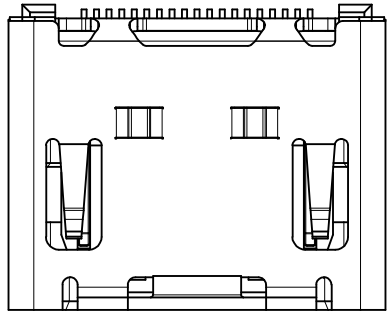


NOTES:
 1. THE UNSPECIFIED DIMENSIONS REFER TO SHEET 1.
 2. PACKAGE SPECIFICATION FOR WITH FLANGE REFER TO PK-47151-002.

REVISED EC NO: K DRWN: CWTANG CHKD: APPR:	DESCRIPTION REV	2009/01/23 2009/01/23	QUALITY SYMBOLS		GENERAL TOLERANCES (UNLESS SPECIFIED)		DIMENSION STYLE		SCALE	DESIGN UNITS	THIRD ANGLE PROJECTION		
			▼=0 ◻=0		mm INCH		MM ONLY		5:1	METRIC			
			4 PLACES	± ---	± ---	DRAWN BY	DATE	TITLE					
			3 PLACES	± ---	± ---	RZHANG	2004/07/20	1.0 HDMI RIGHT ANGLE HEADER ASSEMBLY(19 PIN) LEAD FREE					
2 PLACES	± 0.25	± ---	CHECKED BY	DATE									
1 PLACE	± ---	± ---	GRMA	2004/07/20	MOLEX INCORPORATED								
ANGULAR ± 3 °			APPROVED BY	DATE									
DRAFT WHERE APPLICABLE MUST REMAIN WITHIN DIMENSIONS			YTYAP	2004/07/20	MATERIAL NO.		DOCUMENT NO.		SHEET NO.				
			SEE SHEET 6		SD-47151-001		2 OF 7						
			THIS DRAWING CONTAINS INFORMATION THAT IS PROPRIETARY TO MOLEX INCORPORATED AND SHOULD NOT BE USED WITHOUT WRITTEN PERMISSION										

10 9 8 7 6 5 4 3 2 1

WITH BACK COVER



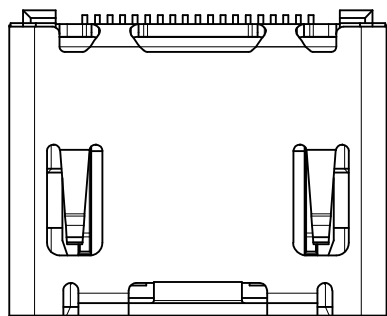
THIS IS ONLY FOR
47151-1025/1075/1085/6022/6032/1026/2062

NOTES:

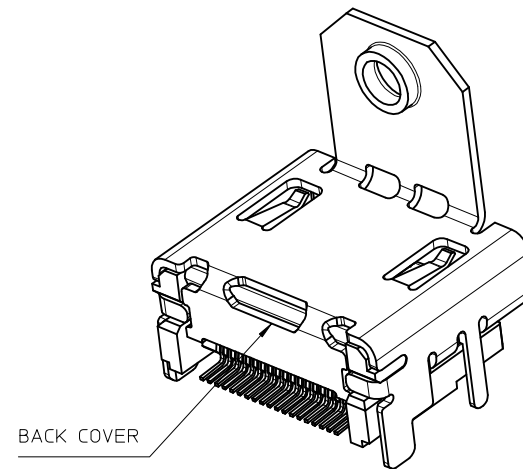
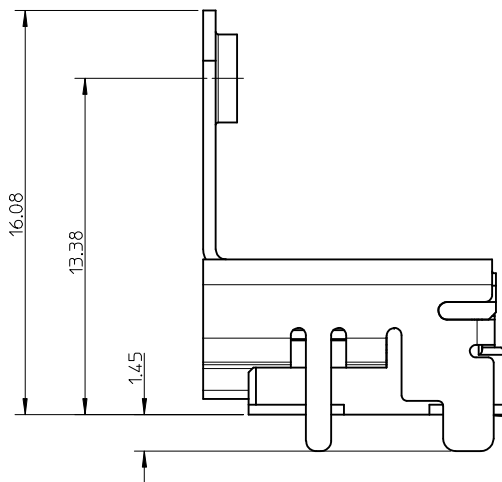
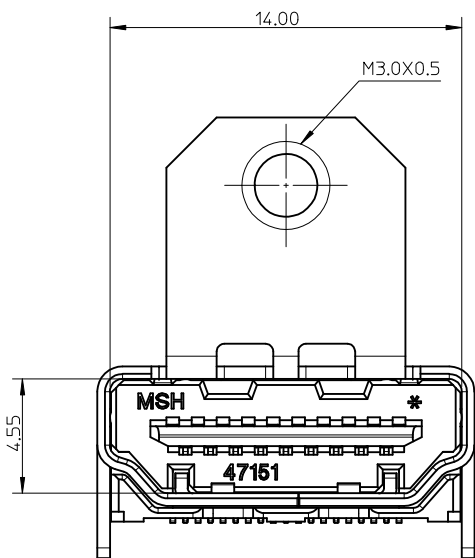
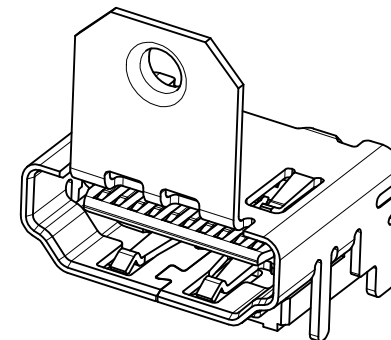
1. THE UNSPECIFIED DIMENSIONS REFER TO 47151-0002.
2. PACKAGE SPECIFICATION FOR WITH FLANGE REFER TO
 OPTION 1 : 47151-6032/1026/2062 REFER TO PK-47151-005
 OPTION 2 : 47151-1025/1075/1085/6022 REFER TO PK-47151-002

REVISED EC NO: K	DRW: CWTANG CHKD: APPR:	DESCRIPTION REV	QUALITY SYMBOLS ▽=0 ◻=0	GENERAL TOLERANCES (UNLESS SPECIFIED)		DIMENSION STYLE MM ONLY		SCALE 5:1	DESIGN UNITS METRIC	THIRD ANGLE PROJECTION
				mm	INCH	DRAWN BY RZHANG	DATE 2004/07/20	TITLE 1.0 HDMI RIGHT ANGLE HEADER ASSEMBLY(19 PIN) LEAD FREE		
				4 PLACES ± --- ± ---	3 PLACES ± --- ± ---	CHECKED BY GRMA	DATE 2004/07/20	MOLEX INCORPORATED		
				2 PLACES ± 0.25 ± ---	1 PLACE ± --- ± ---	APPROVED BY YTYAP	DATE 2004/07/20	DOCUMENT NO. SD-47151-001	SHEET NO. 4 OF 7	
DRAFT WHERE APPLICABLE MUST REMAIN WITHIN DIMENSIONS				ANGULAR ± 3 °		SEE SHEET 7		THIS DRAWING CONTAINS INFORMATION THAT IS PROPRIETARY TO MOLEX INCORPORATED AND SHOULD NOT BE USED WITHOUT WRITTEN PERMISSION		

9 8 7 6 5 4 3 2 1




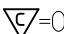
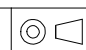
WITHOUT TOP HOLE



NOTES:
1. THE UNSPECIFIED DIMENSIONS REFER TO 47151-1102.

REVISED EC NO: K	DRWN: CWTANG CHKD: APPR:	DESCRIPTION REV	QUALITY SYMBOLS ▽=0 ◻=0	GENERAL TOLERANCES (UNLESS SPECIFIED)		DIMENSION STYLE MM ONLY	SCALE 5:1	DESIGN UNITS METRIC	THIRD ANGLE PROJECTION	
				mm	INCH	DRAWN BY RZHANG	DATE 2004/07/20	TITLE 1.0 HDMI RIGHT ANGLE HEADER ASSEMBLY(19 PIN) LEAD FREE		
				4 PLACES	± --- ± ---		CHECKED BY GRMA	DATE 2004/07/20	MOLEX INCORPORATED	
				3 PLACES	± --- ± ---		APPROVED BY YTYAP	DATE 2004/07/20	DOCUMENT NO. SD-47151-001	
				2 PLACES	± 0.25 ± ---		MATERIAL NO. SEE SHEET 7		SHEET NO. 5 OF 7	
				1 PLACE	± --- ± ---		THIS DRAWING CONTAINS INFORMATION THAT IS PROPRIETARY TO MOLEX INCORPORATED AND SHOULD NOT BE USED WITHOUT WRITTEN PERMISSION			
				ANGULAR ± 3 °						
DRAFT WHERE APPLICABLE MUST REMAIN WITHIN DIMENSIONS										

10		9				8		7		6		5		4		3		2		1																							
ASSEMBLY NO.	DIMENSION					FEATURE				HOUSING COLOR	GOLD PLATING IN CONTACT AREA	SHELL PLATING	REMARK																														
	DIM A	DIM B	DIM C	DIM D	DIM E	FANGE	BACK COVER	TOP HOLES	MYLAR																																		
47151-0001	1.80	2.20	/	/	/	W/O	W/O			W/O	BLACK	SEE NOTE 2 (1)	SEE NOTE 2 (a)	FOR SHEET 1																													
47151-0041																						SEE NOTE 2(2)																					
47151-0051																						BLACK	SEE NOTE 2 (3)																				
47151-0011																						NATURE	SEE NOTE 2(1)																				
47151-0071																							SEE NOTE 2(2)																				
47151-0061																							SEE NOTE 2(3)																				
47151-0021																						BLACK																					
47151-0031																						NATURE	SEE NOTE 2 (1)																				
47151-0101																						BLACK																					
47151-0141											1.45	1.45			/	/	/	W/O	W/O			W/O		SEE NOTE 2(2)	SEE NOTE 2 (a)	FOR SHEET 1																	
47151-0151										BLACK			SEE NOTE 2 (3)																														
47151-0111										NATURE			SEE NOTE 2(1)																														
47151-0181													SEE NOTE 2(2)																														
47151-0161													SEE NOTE 2(3)																														
47151-0121										BLACK																																	
47151-0131										NATURE			SEE NOTE 2 (1)																														
47151-0002	1.80	2.20								W/O			BLACK	SEE NOTE 2(1)									SEE NOTE 2 (a)	FOR SHEE 2																			
47151-0042																																		SEE NOTE 2(2)									
47151-0062																																		SEE NOTE 2(3)									
47151-0012																				NATURE	SEE NOTE 2(1)																						
47151-0052																					SEE NOTE 2(2)																						
47151-0072																					SEE NOTE 2(3)																						
47151-0022																				BLACK																							
47151-0032																				NATURE																							
47151-0102																				BLACK	SEE NOTE 2 (1)																						
47151-0142											1.45	1.45	M3.0X0.5			WITH				W/O		SEE NOTE 2(2)			SEE NOTE 2 (a)	FOR SHEE 2																	
47151-0112										SEE NOTE 2(3)																																	
47151-0152										NATURE											SEE NOTE 2(1)																						
47151-0172																					SEE NOTE 2(2)																						
47151-0122										BLACK																																	
47151-0132										NATURE											SEE NOTE 2(1)																						
47151-6002	1.80	2.20								W/O											BLACK		SEE NOTE 2 (a)	FOR SHEE 2																			
47151-6062																																		SEE NOTE 2(2)									
47151-6082																																		SEE NOTE 2(3)									
47151-6102																																		BLACK	SEE NOTE 2(1)								
47151-6172																					SEE NOTE 2(2)																						
47151-6162																					SEE NOTE 2(3)																						
47151-1001											1.80	2.20								W/O	BLACK	SEE NOTE 2 (1)			SEE NOTE 2 (a)	FOR SHEET 3																	
47151-1061																																		WITH									
47151-1041																																		W/O									
47151-1071																																		WIHT									
47151-1051										W/O																																	
47151-1081										WITH																																	
47151-1011																					BLACK	SEE NOTE 2 (1)																					
47151-1211																					NATURE	SEE NOTE 2(2)																					
47151-1311																					SEE NOTE 2(3)																						
47151-1021										BLACK											SEE NOTE 2 (1)																						
47151-1091										W/O																																	
47151-1031											BLACK	SEE NOTE 2 (3)																															
											NATURE	SEE NOTE 2 (1)																															

REVISED IEC NO: K DRWN: CWTANG CHKD: APPR: 2009/01/23	QUALITY SYMBOLS  = 0  = 0	GENERAL TOLERANCES (UNLESS SPECIFIED)		DIMENSION STYLE MM ONLY		SCALE 1:1	DESIGN UNITS METRIC	 THIRD ANGLE PROJECTION	
		4 PLACES ± --- ± --- 3 PLACES ± --- ± --- 2 PLACES ± 0.25 ± --- 1 PLACE ± --- ± --- ANGULAR ± 3 °	mm INCH ± --- ± --- ± --- ± --- ± --- ± --- ± --- ± ---	DRAWN BY RZHANG	DATE 2004/07/20	TITLE 1.0 HDMI RIGHT ANGLE HEADER ASSEMBLY(19 PIN) LEAD FREE			
		DRAFT WHERE APPLICABLE MUST REMAIN WITHIN DIMENSIONS		CHECKED BY GRMA	DATE 2004/07/20	MOLEX INCORPORATED			
				APPROVED BY YTYAP	DATE 2004/07/20	MATERIAL NO. SEE TABLE	DOCUMENT NO. SD-47151-001	SHEET NO. 6 OF 7	

ASSEMBLY NO.	DIMENSION					FEATURE			MYLAR	HOUSING COLOR	GOLD PLATING IN CONTACT AREA	SHELL PLATING	REMARK
	DIM A	DIM B	DIM C	DIM D	DIM E	FLANGE	BACK COVER	TOP HOLES					
47151-1101	1.45	1.45	/	/	/	W/O	WITH	WITH	W/O	BLACK	SEE NOTE 2(1)	SEE NOTE 2 (a)	SEE SHEET 3
47151-1141										BLACK	SEE NOTE 2 (2)		
47151-1151										BLACK	SEE NOTE 2 (3)		
47151-1111										NATURE	SEE NOTE 2(1)		
47151-1161											SEE NOTE 2(2)		
47151-1171											SEE NOTE 2(3)		
47151-1121										BLACK	SEE NOTE 2 (1)		
47151-1131										NATURE			
47151-1002	1.80	2.20	M3.0X0.5	16.08	13.38	WITH	WITH	WITH	W/O	BLACK	SEE NOTE 2 (1)	SEE NOTE 2 (a)	FOR SHEET 4
47151-1042									BLACK	SEE NOTE 2 (2)			
47151-1052									BLACK	SEE NOTE 2 (3)			
47151-1062									BLACK	SEE NOTE 2 (4)			
47151-2062									WITH	NATURE	SEE NOTE 2(1)		
47151-1012										SEE NOTE 2(2)			
47151-1072										SEE NOTE 2(3)			
47151-1082									BLACK	SEE NOTE 2 (1)			
47151-1022									NATURE				
47151-1032									BLACK	SEE NOTE 2 (1)			
47151-1102	1.45	1.45	M3.0X0.5	16.08	13.38	WITH	WITH	WITH	W/O	BLACK	SEE NOTE 2 (2)	SEE NOTE 2 (a)	FOR SHEET 4
47151-1142									BALCK	SEE NOTE 2 (3)			
47151-1152									NATURE	SEE NOTE 2(1)			
47151-1112										SEE NOTE 2(2)			
47151-1162										SEE NOTE 2(3)			
47151-1172									BLACK	SEE NOTE 2 (1)			
47151-1122									NATURE				
47151-1132									BLACK	SEE NOTE 2 (1)			
47151-1005									BLACK	SEE NOTE 2(2)			
47151-1045										SEE NOTE 2(3)			
47151-1065	1.80	2.20	4-40	16.08	13.38	WITH	WITH	WITH	NATURE	SEE NOTE 2(1)	SEE NOTE 2 (a)	FOR SHEET 4	
47151-1015										SEE NOTE 2(2)			
47151-1035										SEE NOTE 2(3)			
47151-1055									WITH	BLACK			SEE NOTE 2(1)
47151-1025										SEE NOTE 2(2)			
47151-1075										SEE NOTE 2(3)			
47151-1085									W/O	BLACK			SEE NOTE 2(1)
47151-1026										SEE NOTE 2(2)			
47151-6012										SEE NOTE 2(3)			
47151-6022									W/O	BLACK			SEE NOTE 2(1)
47151-6042	1.80	2.20	M3.0X0.5	14.25	11.28	WITH	WITH	WITH	WITH	BLACK	SEE NOTE 2 (2)	SEE NOTE 2 (a)	FOR SHEET 5
47151-6052									W/O	BLACK	SEE NOTE 2 (3)		
47151-6032									WITH	BLACK	SEE NOTE 2 (1)		
47151-6112									W/O	BLACK	SEE NOTE 2 (2)		
47151-6142	1.45	1.45	M3.0X0.5	16.08	13.38	WITH	WITH	W/O	BLACK	SEE NOTE 2 (3)	SEE NOTE 2 (a)	FOR SHEET 5	
47151-6152									BLACK	SEE NOTE 2 (1)			
47151-7102									BLACK	SEE NOTE 2 (2)			
47151-7142	1.45	1.45	M3.0X0.5	16.08	13.38	WITH	WITH	W/O	BLACK	SEE NOTE 2 (1)	SEE NOTE 2 (a)	FOR SHEET 5	
47151-7162									BLACK	SEE NOTE 2(2)			

REVISED EC NO: SH2009-0502 DRAWN: CWTANG 2009/01/23 CHKD: 2009/01/23 APPR: HHWANG 2009/02/10 REV DESCRIPTION	QUALITY SYMBOLS	GENERAL TOLERANCES (UNLESS SPECIFIED) <table border="1"> <tr> <td></td> <td>mm</td> <td>INCH</td> </tr> <tr> <td>4 PLACES</td> <td>± ---</td> <td>± ---</td> </tr> <tr> <td>3 PLACES</td> <td>± ---</td> <td>± ---</td> </tr> <tr> <td>2 PLACES</td> <td>± 0.25</td> <td>± ---</td> </tr> <tr> <td>1 PLACE</td> <td>± ---</td> <td>± ---</td> </tr> </table>		mm	INCH	4 PLACES	± ---	± ---	3 PLACES	± ---	± ---	2 PLACES	± 0.25	± ---	1 PLACE	± ---	± ---	DIMENSION STYLE	SCALE	DESIGN UNITS	THIRD ANGLE PROJECTION
			mm	INCH																	
	4 PLACES		± ---	± ---																	
	3 PLACES		± ---	± ---																	
2 PLACES	± 0.25	± ---																			
1 PLACE	± ---	± ---																			
		MM ONLY	1:1	METRIC																	
		DRAWN BY: RZHANG CHECKED BY: GRMA APPROVED BY: YTYAP MATERIAL NO.	DATE: 2004/07/20 DATE: 2004/07/20 DATE: 2004/07/20	TITLE: 1.0 HDMI RIGHT ANGLE HEADER ASSEMBLY(19 PIN) LEAD FREE MOLEX INCORPORATED																	
		DRAFT WHERE APPLICABLE MUST REMAIN WITHIN DIMENSIONS SEE TABLE SIZE: A3 THIS DRAWING CONTAINS INFORMATION THAT IS PROPRIETARY TO MOLEX INCORPORATED AND SHOULD NOT BE USED WITHOUT WRITTEN PERMISSION	DOCUMENT NO. SD-47151-001 SHEET NO. 7 OF 7																		