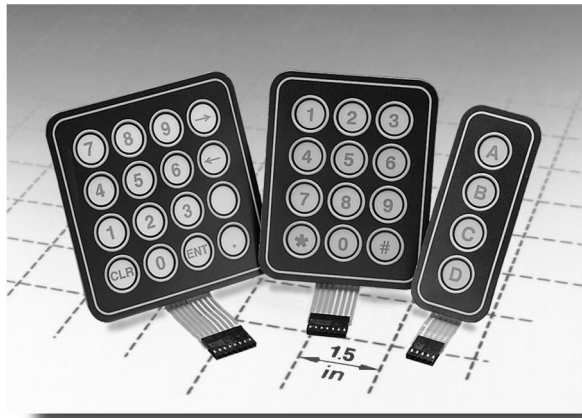


# 4200 Series Insertable Legend Keypads



## Features/Benefits

- Use legends supplied or design your own
- Positive tactile feedback with rim embossed keys
- Splash-proof, sealed switches
- Adhesive backed for easy mounting

## Typical Applications

- Communications equipment
- Security applications
- Industrial controllers

## How To Order

Complete part numbers for 4200 Series Insertable Legend Keypads are shown on pages K-9 thru K-11. For custom design and manufacturing capability, consult Customer Service Center.

## Specifications

SWITCH FUNCTION: SPST, momentary, normally open.  
CONTACT RATING: 0.5 VA, 100 mA, 30 V DC max.  
ELECTRICAL LIFE: 1,000,000 cycles.  
ACTUATION FORCE: 300 ± 50 grams.  
CONTACT BOUNCE: Below 10 msec. typ.  
TRAVEL: .025" - .030" (0,63-0,76mm) typ.  
STORAGE TEMPERATURE: -40° C to 60° C.  
OPERATING TEMPERATURE: -30° C to 60° C.

## Materials

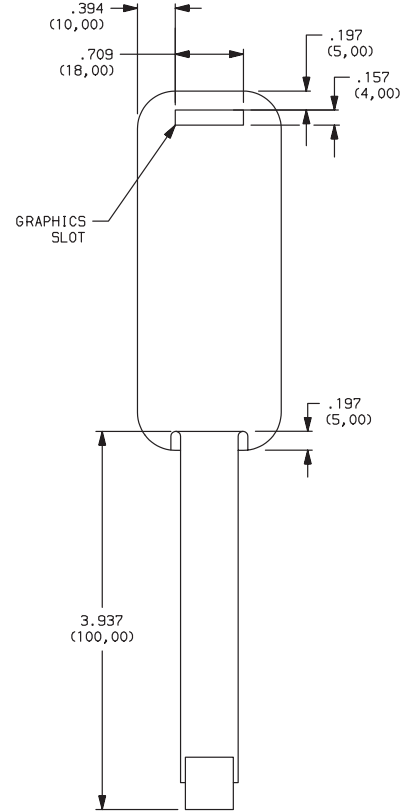
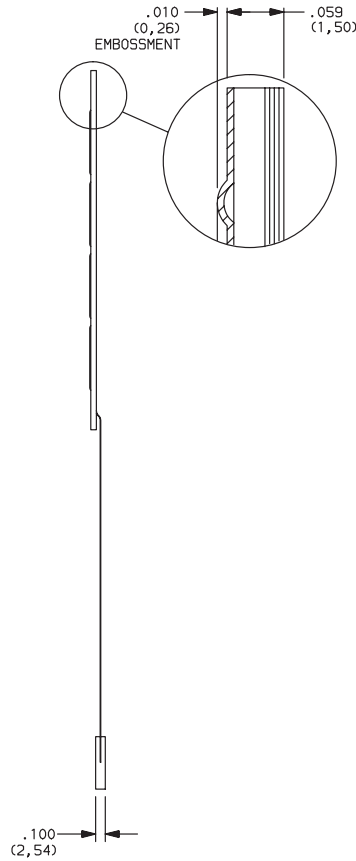
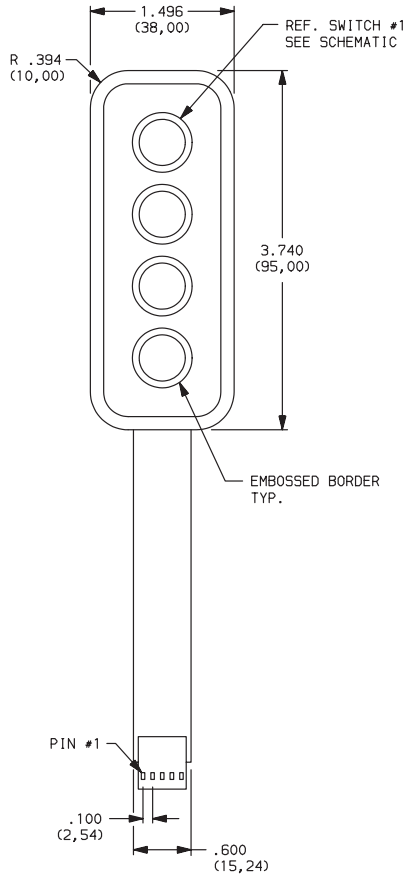
OVERLAY: Polyester/polycarbonate blend with uniform low gloss fine texture.  
GRAPHICS: Keypad, black background with silver borders.  
Insert legends, silver background with black text.  
CONTACTS AND CIRCUITS: Silver conductive PTF traces on heat stabilized polyester film.  
CONNECTOR: Single row female connector with tin/lead plating.  
**NOTE:** Specifications and materials listed above are for products with standard options. For more information on custom products or options, consult Customer Service Center.



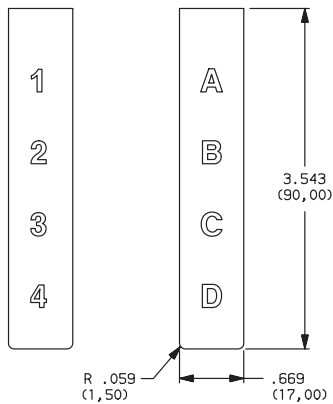
K

1 x 4 Array, 4 Keys

PART NO.	OPERATION	CONNECTOR
<b>4214A1</b>	TACTILE	FEMALE

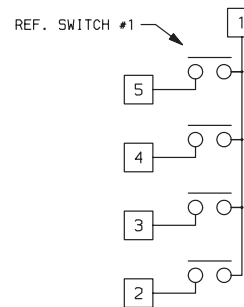


### Graphics



BOTH INSERTS SUPPLIED WITH EACH KEYPAD

### Schematic



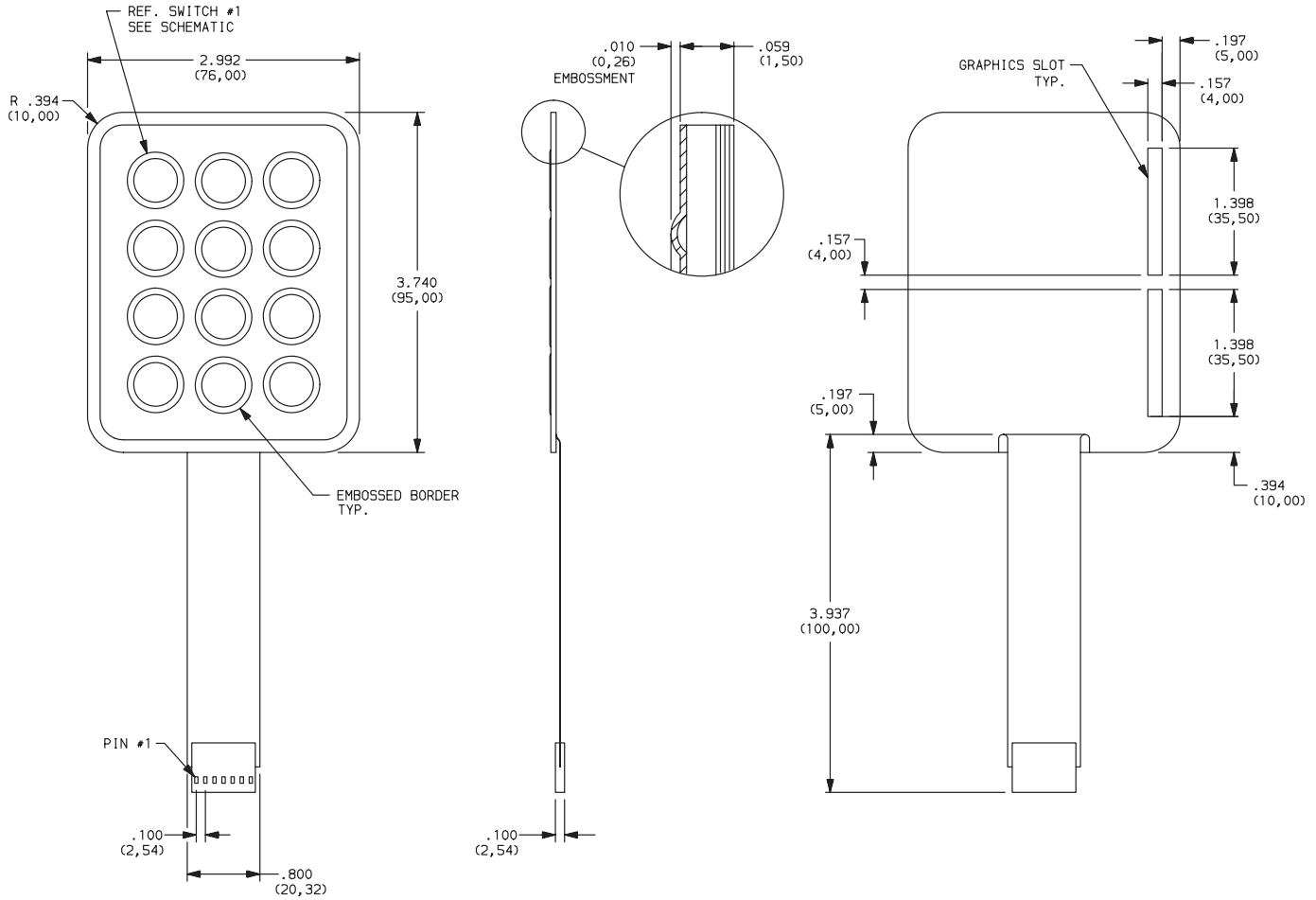
Membrane & Interface Products

# 4200 Series Insertable Legend Keypads

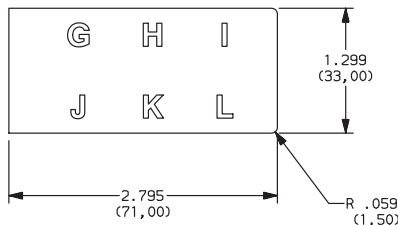
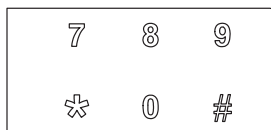
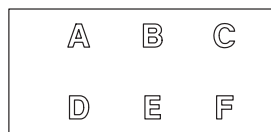
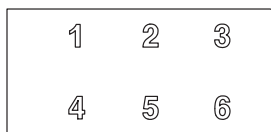


3 x 4 Array, 12 Keys

PART NO.	OPERATION	CONNECTOR
<b>4234A1</b>	TACTILE	FEMALE

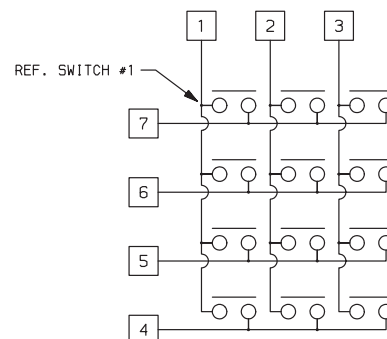


Graphics



ALL (4) INSERTS SUPPLIED WITH EACH KEYPAD

Schematic

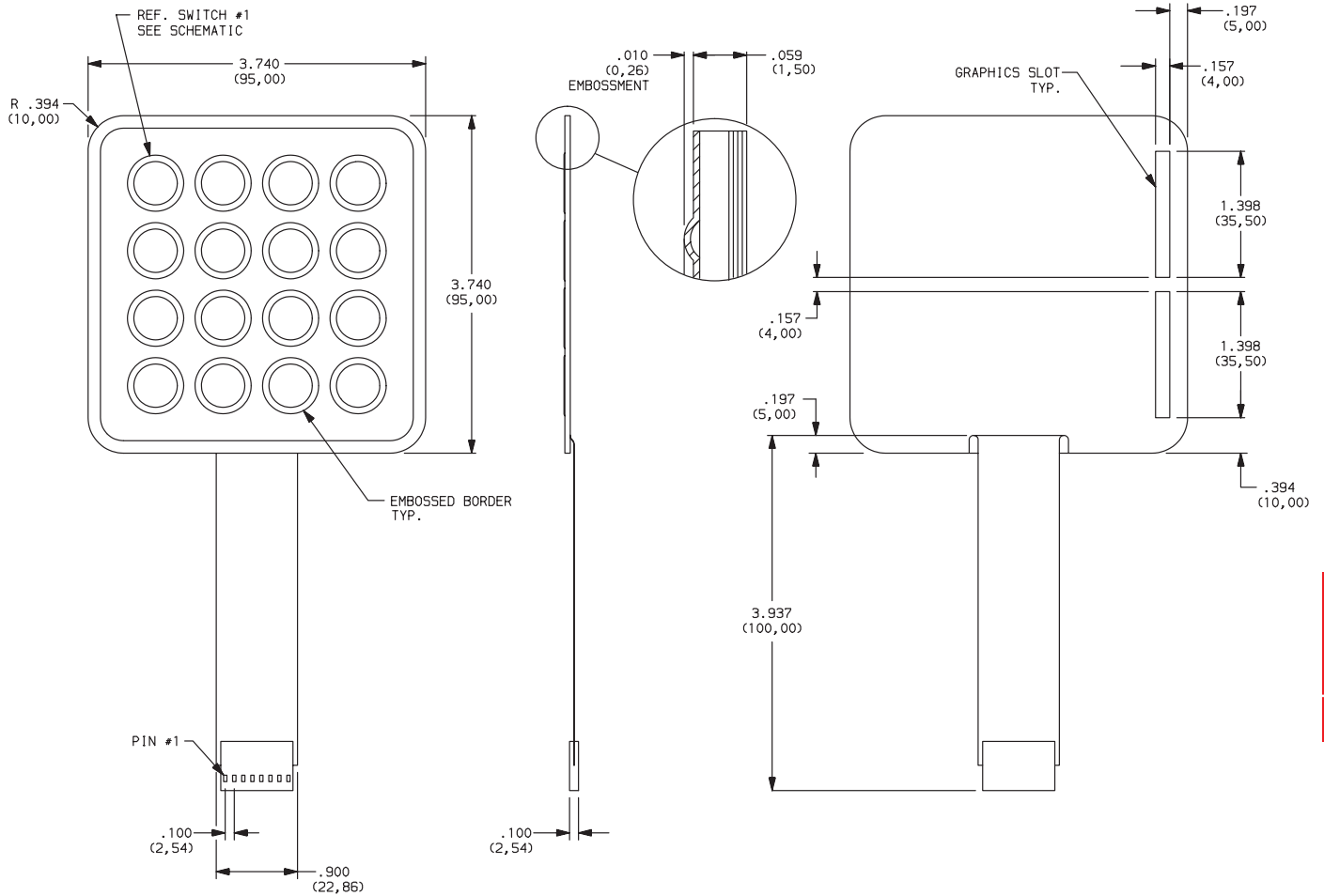


Membrane & Interface Products

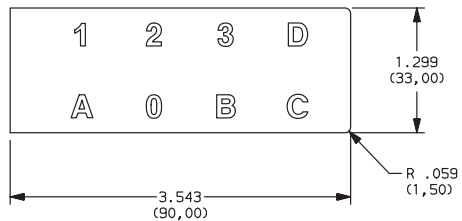
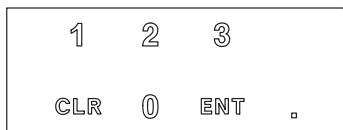
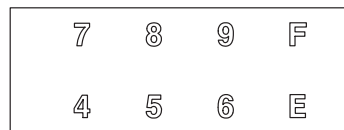
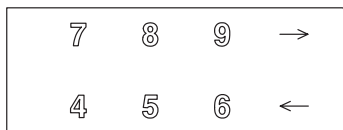


4 x 4 Array, 16 Keys

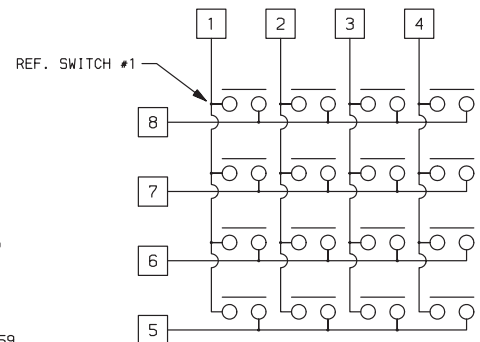
PART NO.	OPERATION	CONNECTOR
<b>4244A1</b>	TACTILE	FEMALE



### Graphics



### Schematic



ALL (4) INSERTS SUPPLIED  
WITH EACH KEYPAD



Membrane & Interface Products