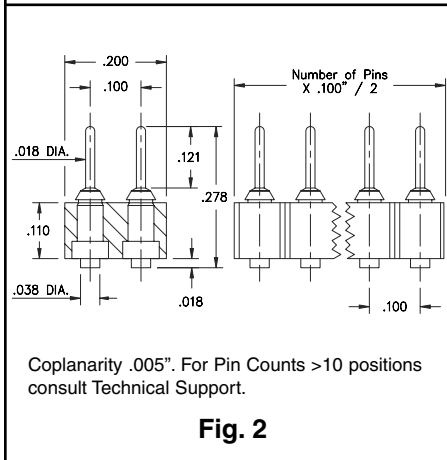
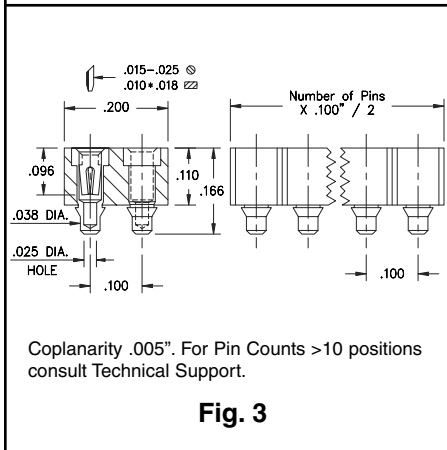


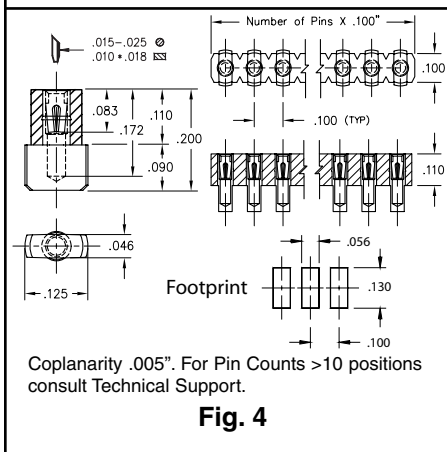
- Series 329 and 429 pin interconnects offer vertical Surface Mount MM #2956-X solder tails. See page 176 for details.
- Series 340 Surface mount sockets use MM #4078 pins. Series 414 sockets use MM #1434 pins. See pages 131 and 136 for details.
- Series 340 and 414 receptacles use Hi-Rel, 4-finger BeCu #30 contacts rated at 3 amps. Receptacles accept .015"-.025" diameter pins. See page 208 for details.
- Insulators are high temp. thermoplastic.



<b>Ordering Information</b>	
<b>Fig. 1</b>	<b>Series 329...560      Surface Mount Pin Header</b> 329-10-1 _ _ -00-560000 Specify # of pins      →      02-64
	<b>Series 429...560      Surface Mount Pin Header</b> 429-10-2 _ _ -00-560000 Specify # of pins      →      04-72



Pin Plating	10 μ" Au	



<b>Ordering Information</b>	
<b>Fig. 3</b>	<b>Series 414...117      Surface Mount Socket</b> 414-43-2 _ _ -41-117000 Specify # of pins      →      04-72
	<b>Series 340...780      Surface Mount Socket</b> 340-43-1 _ _ -30-780100 Specify # of pins      →      02-64

Sleeve (Pin)	200μ" Sn	
Contact (Clip)	30 μ" Au	