

Fig. 1

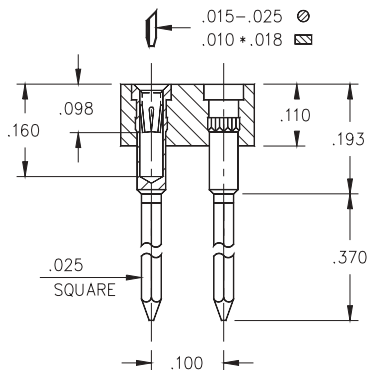


Fig. 2

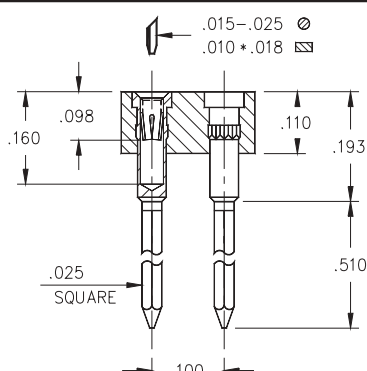


Fig. 3

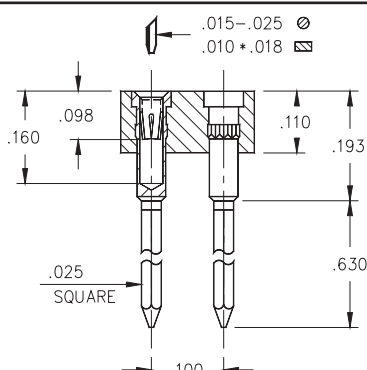


Fig. 4

- Wrapost double row strip sockets are available with one to four-level wraposts: M-M# 0040, 0089, 0088, or 0086 pins. See page 162 for details.
- Hi-Rel, 4-finger #30 BeCu contact is rated at 3 amps. See page 208 for details.



Ordering Information

| | |
|---------------|--|
| Fig. 1 | Series 421...001 1 Level Wrapost |
| | 421-XX-2__-41-001 Specify # of pins → 02-64 |
| Fig. 2 | Series 422...001 2 Level Wrapost |
| | 422-XX-2__-41-001 Specify # of pins → 02-64 |
| Fig. 3 | Series 423...001 3 Level Wrapost |
| | 423-XX-2__-41-001 Specify # of pins → 02-64 |
| Fig. 4 | Series 424...002 4 Level Wrapost |
| | 424-XX-2__-41-002 Specify # of pins → 02-64 |

XX= Plating Code See Below

| | | | | |
|--------------------------|-----------|--|-------------|--|
| SPECIFY PLATING CODE XX= | 13 | | 93 | |
| Sleeve (Pin) | 10μ" Au | | 200μ" Sn/Pb | |
| Contact (Clip) | 30μ" Au | | 30μ" Au | |