



MICRO SWITCH
 FREEPORT, ILLINOIS, U.S.A.
 A DIVISION OF HONEYWELL

FED. MFG. CODE 91929

ASSEMBLY - PUSHBUTTON SWITCH

CATALOG LISTING

2PB12-T2

2PB12-T2
 PAGE 1 OF 1

M

DRAWING
 NUMBER

8

ISSUE

REPLACES

RELEASE NO.

CHECK

REVISIONS

A	CO 19800	M B F	28 JAN 65
B	CO31782	D B W	16 MAR 73
C	CO-93593	P P F	23 OCT 98
D	CO 94273	G J W	15 APR 99

JAF

CHECK

3 FEB 65

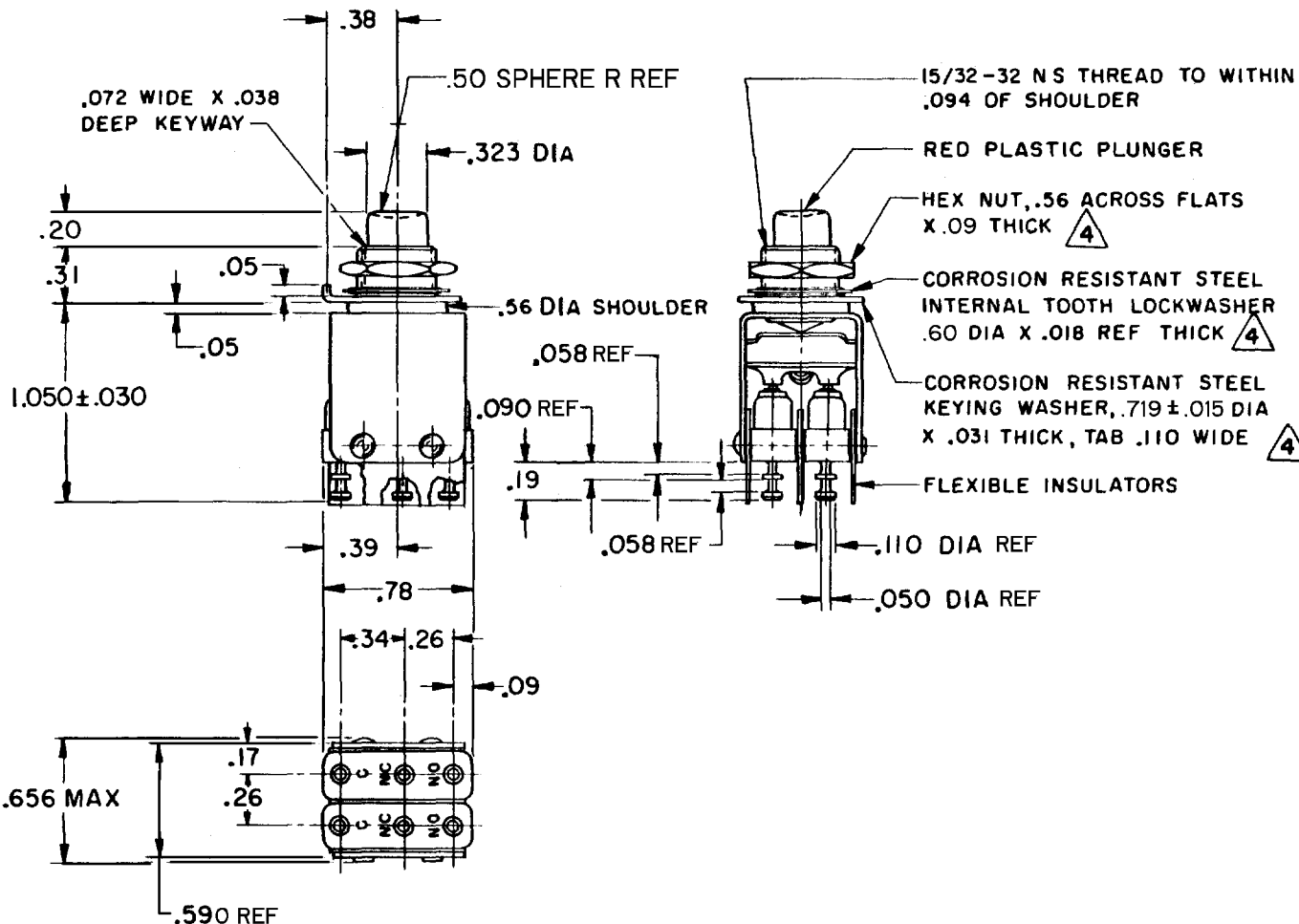
3 FEB 65

LSD

CHECK

28 JAN 65

MBF



NOTES

- 1 - UNIT INCLUDES "IISM" TYPE BASIC SWITCH (2)
- 2 - TERMINALS ARE PLATED FOR SOLDERING
- 3 - SWITCHES DO NOT NECESSARILY OPERATE SIMULTANEOUSLY
- 4 - MOUNTING HARDWARE FURNISHED UNASSEMBLED

THIS DRAWING COVERS A PROPRIETARY ITEM AND IS THE PROPERTY OF MICRO SWITCH, A DIVISION OF HONEYWELL. THIS DRAWING IS NOT TO BE COPIED OR USED WITHOUT THE APPROVAL OF MICRO SWITCH.

CHARACTERISTICS

OPERATING FORCE --- 30 OZ APPROX
 TOTAL TRAVEL --- .100 APPROX

ELECTRICAL DATA

CONTACT ARRANGEMENT
 S P D T (2)

250 VAC --- 5 AMP
 30 VOLTS DC RATING

INDUCTIVE --- SEA LEVEL --- 3 AMP
 50,000 FT --- 2.5 AMP
 RESISTIVE --- SEA LEVEL --- 5 AMP
 50,000 FT --- 5 AMP
 MAXIMUM INRUSH --- 24 AMP

SCALE FULL

DO NOT SCALE PRINT

UNLESS OTHERWISE NOTED
 DIMENSIONS ARE IN INCHES

TOLERANCES ARE:

ONE PLACE (.0)	±.030
TWO PLACE (.00)	±.015
THREE PLACE (.000)	±.005
ANGLES	±

WEIGHT

FORMTEK

FO-50378

DRAWN

28 JAN 65