

**MICRO SWITCH**FREEPORT, ILLINOIS, U. S. A.  
A DIVISION OF HONEYWELL

FED. MFG. CODE 91929

**ASSEMBLY -  
PUSHBUTTON SWITCH**

CATALOG LISTING

**2PB11**

REPLACES

2PB11  
PAGE 1 OF 1

M  
DRAWING NUMBER

1616  
ISSUE

REVISIONS

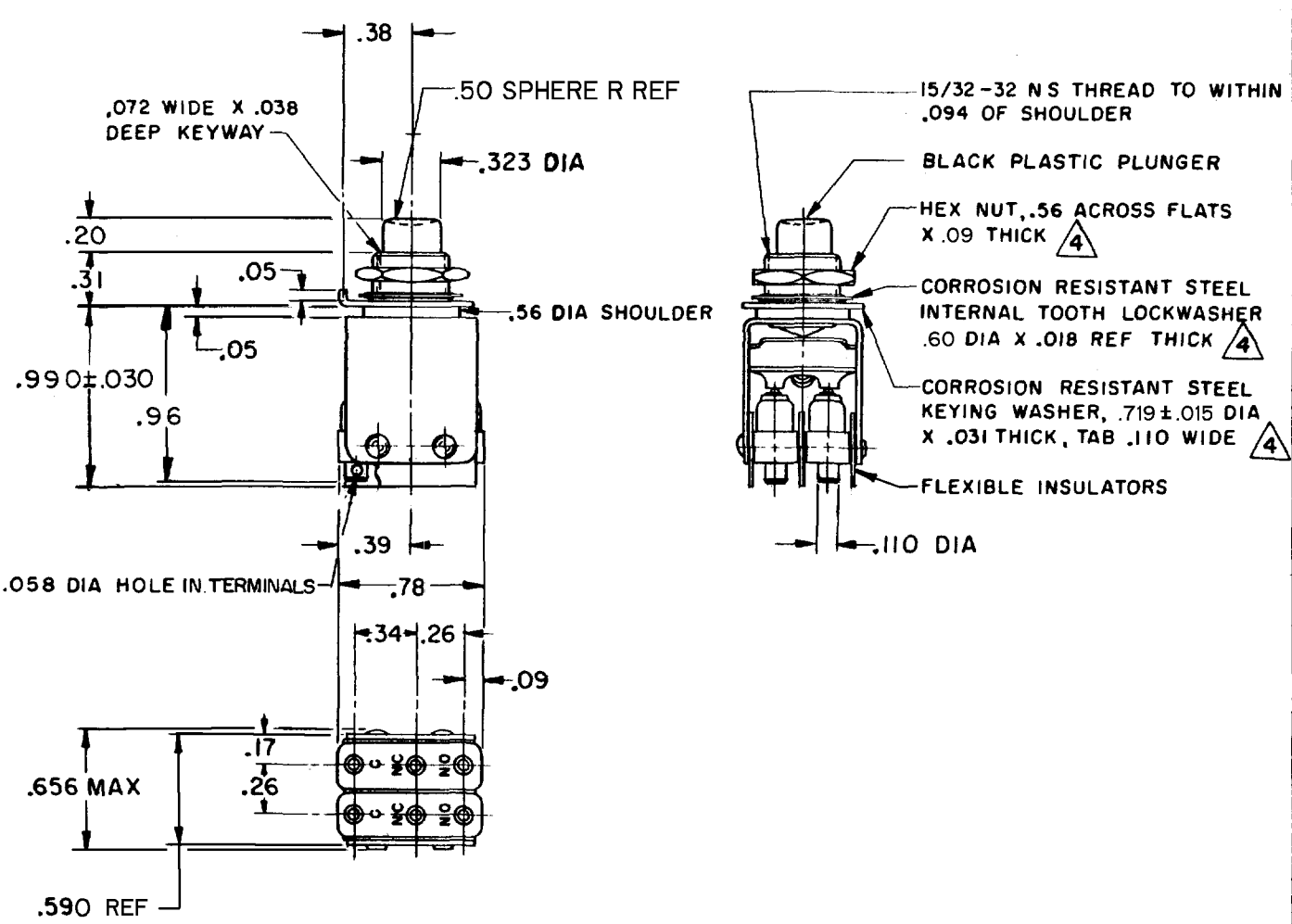
A	CO19800	M B F	12 FEB 65
B	CO21022	M B F	22 FEB 66
C	CO30742	R E R	2 OCT 72
D	CO31782	D B W	16 MAR 73
E	CO-93593	P P F	22 OCT 98
F	CO-94273	G J W	15 APR 99

22 OCT 98  
22 FEB 66  
2 OCT 72  
16 MAR 73  
22 OCT 98  
15 APR 99

CHECK

FORMTEK  
FC-90378  
DRAWN

M B F 12 FEB 65

**NOTES**

- 1- UNIT INCLUDES "IISM" TYPE BASIC SWITCH (2)
- 2- TERMINALS ARE PLATED FOR SOLDERING
- 3- SWITCHES DO NOT NECESSARILY OPERATE SIMULTANEOUSLY
- <sup>4</sup> MOUNTING HARDWARE FURNISHED UNASSEMBLED

THIS DRAWING COVERS A PROPRIETARY ITEM AND IS THE PROPERTY OF MICRO SWITCH, A DIVISION OF HONEYWELL. THIS DRAWING IS NOT TO BE COPIED OR USED WITHOUT THE APPROVAL OF MICRO SWITCH.

CHARACTERISTICS	ELECTRICAL DATA	SCALE FULL
OPERATING FORCE — — 30 OZ APPROX	CONTACT ARRANGEMENT S P D T (2)	DO NOT SCALE PRINT
PRETRAVEL — — — — .040 APPROX	250 VAC — — — — — 5 AMP	UNLESS OTHERWISE NOTED
DIFFERENTIAL TRAVEL — — — .050 MAX	30 VOLTS DC RATING	DIMENSIONS ARE IN INCHES
<sup>B</sup> TOTAL TRAVEL — — — — .110 APPROX	INDUCTIVE — — — — SEA LEVEL — — — 3 AMP	<b>TOLERANCES ARE:</b>
	50,000 FT — — — 2.5 AMP	ONE PLACE (.0) ±.030
	RESISTIVE — — — — SEA LEVEL — — — 5 AMP	TWO PLACE (.00) ±.015
	50,000 FT — — — 5 AMP	THREE PLACE (.000) ±.005
	MAXIMUM INRUSH — — — — — 24 AMP	ANGLES ±
		WEIGHT