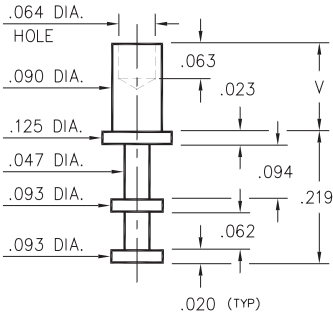


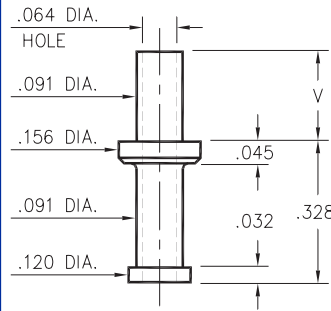
## 2501



**2501-X-00-XX-00-00-07-0**  
Swage mount in .094 hole

- X -	Board Thickness	Length V
1	.031	.078
2	.062	.109
3	.094	.140
4	.125	.171

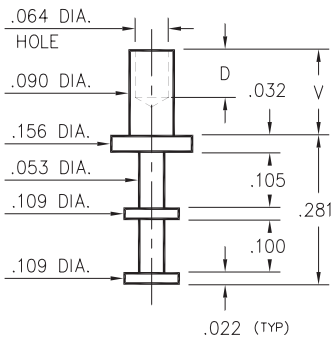
## 2703



**2703-X-00-XX-00-00-07-0**  
Swage mount in .094 hole

- X -	Board Thickness	Length V
1	.031	.077
2	.062	.107
3	.094	.137
4	.125	.167

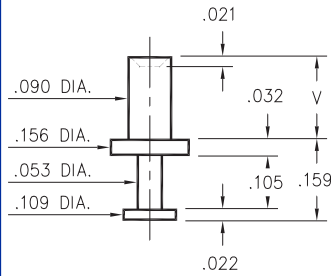
## 2702



**2702-X-00-XX-00-00-07-0**  
Swage mount in .094 hole

- X -	Board Thickness	Length V	Depth D
1	.031	.075	.063
2	.062	.105	.093
3	.094	.135	
4	.125	.165	

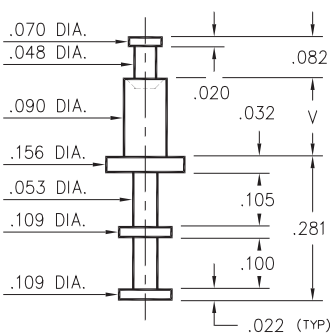
## 2710



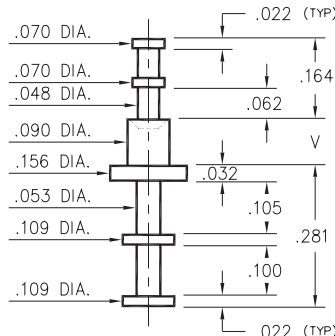
**2710-X-00-XX-00-00-07-0**  
Swage mount in .094 hole

- X -	Board Thickness	Length V
1	.031	.062
2	.062	.094
3	.094	.125
4	.125	.156

## 2717/2713



**2717-X-00-XX-00-00-07-0**  
Swage mount in .094 hole



**2713-X-00-XX-00-00-07-0**  
Swage mount in .094 hole

- X -	Board Thickness	Length V
1	.031	.062
2	.062	.094
3	.094	.125
4	.125	.156

### SPECIFICATIONS

**PIN MATERIAL:**  
Brass Alloy 360, 1/2 Hard  
Swage pins are annealed

**DIMENSION IN INCHES**  
**TOLERANCES ON:**  
LENGTHS: ±.005  
DIAMETERS: ±.002  
ANGLES: ± 2°

**ORDER CODE: 2XXX - X - 00 - XX - 00 - 00 - 07 - 0**

**BASIC PART #**

**SPECIFY PIN FINISH:**  
01 200µ" TIN/LEAD OVER NICKEL  
80 200µ" TIN OVER NICKEL  
44 300µ" SILVER OVER COPPER  
50 300µ" ELECTRO-SOLDER (60/40 SnPb)

