

DFLK 16

Order No.: 2280239

The illustration shows a 50-pos. version

<http://eshop.phoenixcontact.de/phoenix/treeViewClick.do?UID=2280239>

VARIOFACE panel feed-through module, for direct coupling of single signal lines of up to 2.5 mm² to flat-ribbon cable plug connector, 16-pos.

Commercial data	
EAN	4017918054342
Pack	5 Pcs.
Customs tariff	85369010
Weight/Piece	0.05796 KG
Catalog page information	Page 247 (IF-2007)

<http://www.download.phoenixcontact.com>
Please note that the data given here has been taken from the online catalog. For comprehensive information and data, please refer to the user documentation. The General Terms and Conditions of Use apply to Internet downloads.

Technical data	
General data	
Nominal voltage U _N	60 V AC/DC
Max. current carrying capacity per branch	1 A
Number of positions	16
Length	58.4 mm
Width	39 mm
Height	49 mm
Status display	No
Ambient temperature (operation)	-20 °C ... 45 °C
Ambient temperature (storage/transport)	-20 °C ... 70 °C

Test voltage	500 V (50 Hz, 1 min.)
Mounting position	Any
Standards/regulations	IEC 60664
	DIN EN 50178
	IEC 62103

Connection data

Connection 1	PCB connection
Connection in acc. with standard	IEC / EN
Type of connection	Screw connection
Conductor cross section solid min.	0.2 mm ²
Conductor cross section solid max.	4 mm ²
Conductor cross section stranded min.	0.2 mm ²
Conductor cross section stranded max.	2.5 mm ²
Conductor cross section AWG/kcmil min.	24
Conductor cross section AWG/kcmil max	12
Stripping length	8 mm
Screw thread	M 3
Connection 2	Flat-ribbon cable connector in acc. with IEC 60603-13
Type of connection	Pluggable
Number of positions	16

Certificates / Approvals

Approval logo

**requested approbations**

Certification	GOST
---------------	------

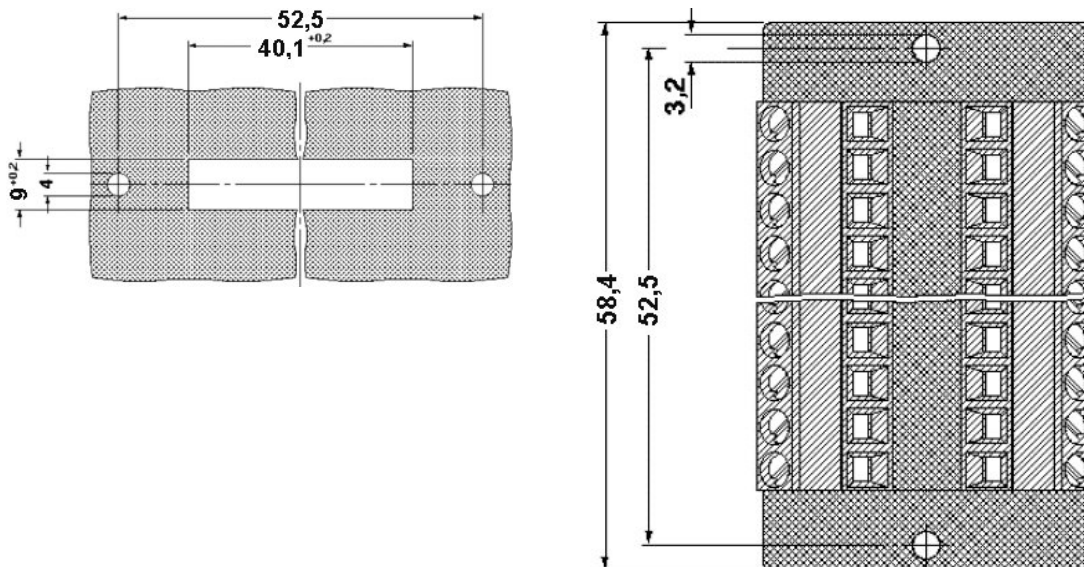
Accessories

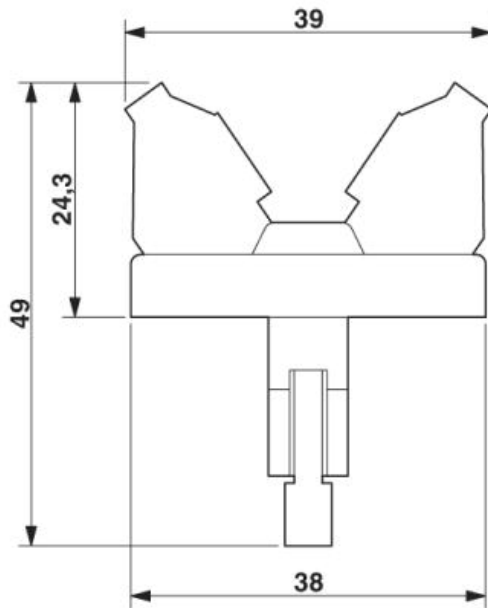
Item	Designation	Description
Cable/conductor		
2299291	FLK 16/EZ-DR/ 50/KONFEK	Round cable set, with two 16-pos. socket strips (1:1 connection), cable length: 0.5 m

2299301	FLK 16/EZ-DR/ 100/KONFEK	Round cable set, with two 16-pos. socket strips (1:1 connection), cable length: 1 m
2299314	FLK 16/EZ-DR/ 150/KONFEK	Round cable set, with two 16-pos. socket strips, (1:1 connection), cable length: 1.5 m
2299327	FLK 16/EZ-DR/ 200/KONFEK	Round cable set, with two 16-pos. socket strips (1:1 connection), cable length: 2 m
2299330	FLK 16/EZ-DR/ 300/KONFEK	Round cable set, with two 16-pos. socket strips (1:1 connection), cable length: 3 m
2299343	FLK 16/EZ-DR/ 400/KONFEK	Round cable set, with two 16-pos. socket strips (1:1 connection), cable length: 4 m
2299369	FLK 16/EZ-DR/ 800/KONFEK	Round cable set, with two 16-pos. socket strips (1:1 connection), cable length: 8 m
2299372	FLK 16/EZ-DR/1000/KONFEK	Round cable set, with two 16-pos. socket strips (1:1 connection), cable length: 10 m
2295059	FLK EZ-DR.../.../...	Round cable, with preassembly, not shielded, variable cable length

Drawings

Dimensioned drawing





Address

PHOENIX CONTACT GmbH & Co. KG
Flachsmarktstr. 8
32825 Blomberg, Germany
Phone +49 5235 3 00
Fax +49 5235 3 41200
<http://www.phoenixcontact.de>



© 2008 Phoenix Contact
Technical modifications reserved;